



EVOLVE

DECORATIVE WIRING ACCESSORIES

Technical Data

45 Amp Double Pole Switch

Brief product description:

BG's Evolve range of wiring accessories is available in a variety of colours and finishes to give you greater choice and flexibility when choosing electrical accessories to complement your decor.

The modern screwless front plate is simple to clip on and off, so you can install or leave the base in place when decorating and clip the colour plate in place once the job is complete.

Features:

- Easy to install, supplied with fixing screws and installation instructions
- LED Indicator - flush fit, reliable, low power
- Colour coded terminals for easy identification
- Captive backed out terminal screws prevent screw loss
- Screwless front plate clips on and off easily, ideal for redecorating
- Double pole for peace of mind and safer installation
- Twin earth for high integrity circuits

Product Images



PCDCL74W



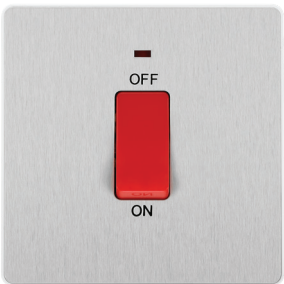
PCDMG74B



PCDDB74B



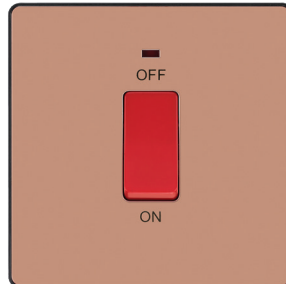
PCDSB72B



PCDBS74W



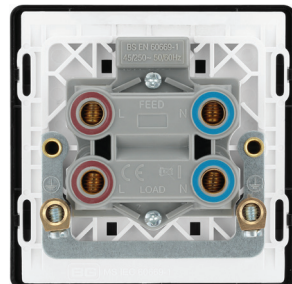
PCDMB74B



PCDCP74B



PCDBC74B



Colour Reference:

CL = Pearlescent White; MG = Matt Grey; DB = Matt Blue; SB = Satin Brass

BS = Brushed Steel; MB = Matt Black; CP = Polished Copper; BC = Black Chrome

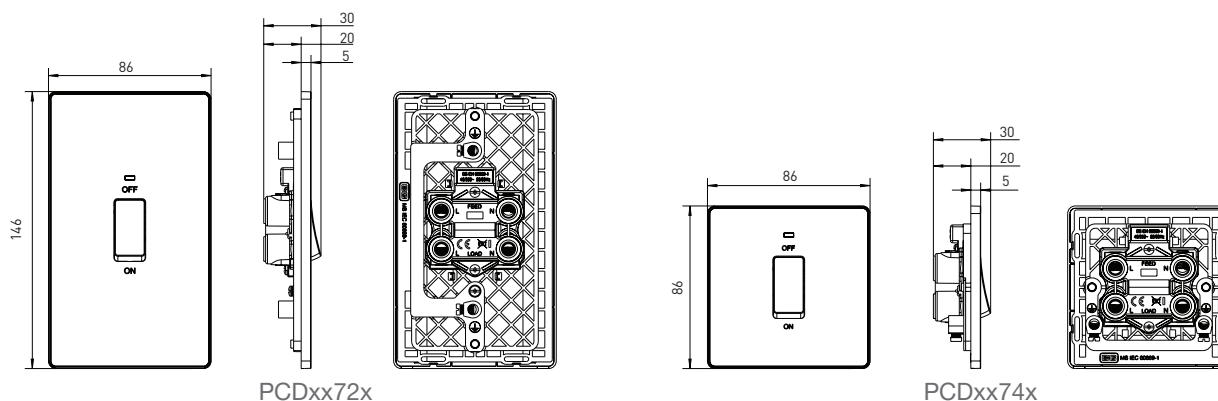
45 Amp Double Pole Switch

Technical Specifications

Standard(s)	BS EN 60669-1
Rating	45 Amp
Voltage	250V AC
Switch Type	Double Pole
Terminal Capacity	4 x 4.0mm ² 3 x 6.0mm ² & 1 x 16.0mm ²
RoHS Directive	Yes
WEEE Directive	Yes
Mounting Box Depth (Min)	47mm



Line Diagrams



Packaging Information

Cat No.	Description	Packaging Type			Pack Quantity			Barcode		
		Product	Inner Box	Outer Box	Each	Inner Box	Outer Box	Individual	Inner Box	Outer Box
PCDCL72W	45A DP LRG SW - CL	Eco Blister	Colour Box	Carton	1	5	50	5050765192965	5050765193313	5050765193665
PCDBS72W	45A DP LRG SW - BS	Eco Blister	Colour Box	Carton	1	5	50	5050765187800	5050765188128	5050765188449
PCDMG72B	45A DP LRG SW - MG	Eco Blister	Colour Box	Carton	1	5	50	5050765184748	5050765185097	5050765185448
PCDMB72B	45A DP LRG SW - MB	Eco Blister	Colour Box	Carton	1	5	50	5050765183697	5050765184045	5050765184397
PCDDB72B	45A DP LRG SW - DB	Colour Box	Colour Box	Carton	1	/	/	5050765225076	/	/
PCDCP72B	45A DP LRG SW - CP	Colour Box	Colour Box	Carton	1	/	/	5050765226004	/	/
PCDSB72B	45A DP LRG SW - SB	Colour Box	Colour Box	Carton	1	/	/	5050765190862	/	/
PCDBC72B	45A DP LRG SW - BC	Colour Box	Colour Box	Carton	1	/	/	5050765188760	/	/
PCDCL74W	45A DP SQ SW - CL	Eco Blister	Colour Box	Carton	1	5	50	5050765192972	5050765193320	5050765193672
PCDBS74W	45A DP SQ SW - BS	Eco Blister	Colour Box	Carton	1	5	50	5050765187817	5050765188135	5050765188456
PCDMG74B	45A DP SQ SW - MG	Eco Blister	Colour Box	Carton	1	5	50	5050765184755	5050765185103	5050765185455
PCDMB74B	45A DP SQ SW - MB	Eco Blister	Colour Box	Carton	1	5	50	5050765183703	5050765184052	5050765184403
PCDDB74B	45A DP SQ SW - DB	Colour Box	Colour Box	Carton	1	/	/	5050765225083	/	/
PCDCP74B	45A DP SQ SW - CP	Colour Box	Colour Box	Carton	1	/	/	5050765226011	/	/
PCDSB74B	45A DP SQ SW - SB	Colour Box	Colour Box	Carton	1	/	/	5050765190879	/	/
PCDBC74B	45A DP SQ SW - BC	Colour Box	Colour Box	Carton	1	/	/	5050765188777	/	/

Colour Reference:

CL = Pearlescent White; MG = Matt Grey; DB = Matt Blue; SB = Satin Brass
 BS = Brushed Steel; MB = Matt Black; CP = Polished Copper; BC = Black Chrome

Weights & Dimensions

Cat No.	Description	Dimensions (H x W x D) cm				Weight (kg)				CBM (m ³)
		Unpacked Product	Packed Product	Inner Box	Outer Box	Unpacked Product	Packed Product	Inner Box	Outer Box	
PCDxx72x	45A DP LRG SW (EB)	14.6 x 8.6 x 3.0	15.3 x 17.8 x 3.4	18.8 x 10.9 x 20.5	22.6 x 38.8 x 56.8	0.186	0.212	1.13	11.86	0.04981
PCDxx72x	45A DP LRG SW (CB)	14.6 x 8.6 x 3.0	8.7 x 15.2 x 4.3	/	/	0.186	0.227	/	/	/
PCDxx74x	45A DP SQ SW (EB)	8.6 x 8.6 x 3.0	15.3 x 11.8 x 3.4	12.7 x 11.7 x 20.7	22.6 x 26.3 x 60.8	0.131	0.151	0.82	8.538	0.03614
PCDxx74x	45A DP SQ SW (CB)	8.6 x 8.6 x 3.0	8.7 x 9.0 x 4.3	/	/	0.131	0.159	/	/	/

Packaging Format:

(CB) = Colour Box; (EB) = Eco Blister