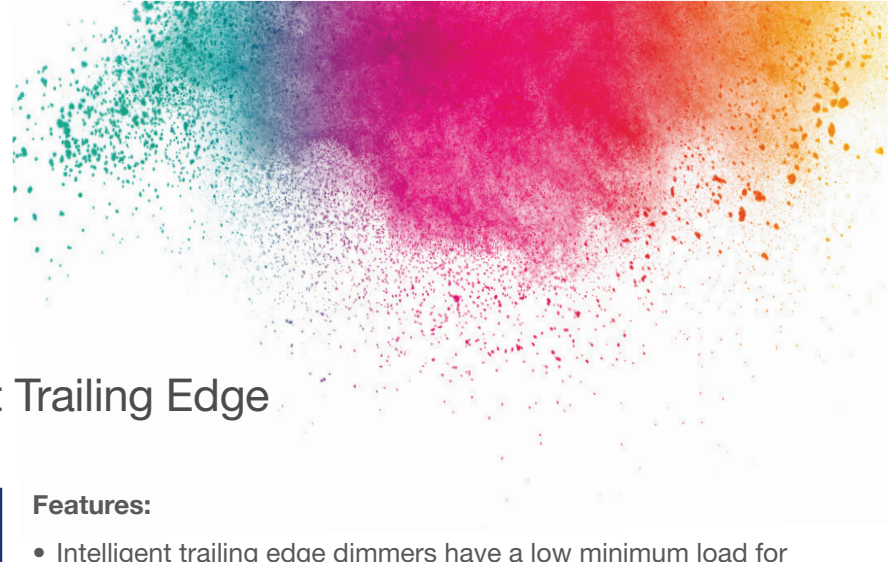




EVOLVE

DECORATIVE WIRING ACCESSORIES



Technical Data

Dimmer Switch - Intelligent Trailing Edge

Brief product description:

BG's Evolve range of wiring accessories is available in a variety of colours and finishes to give you greater choice and flexibility when choosing electrical accessories to complement your decor.

The modern screwless front plate is simple to clip on and off, so you can install or leave the base in place when decorating and clip the colour plate in place once the job is complete.

Features:

- Intelligent trailing edge dimmers have a low minimum load for better compatibility with LED lighting
- Soft start brings the lights to a set level in around 1 second and extends the life of lamps
- Overload protection prevents failure if you mistakenly connect your dimmer to too many lights or transformers, and will turn the lights down or off until the load is corrected
- Smooth dimming and silent operation - no noise when dimming
- Support for lower wattage lamps eliminates flicker
- Rotary dimmer control with push on/off function
- Captive backed out terminal screws prevent screw loss
- Screwless front plate clips on/off easily, ideal for redecorating

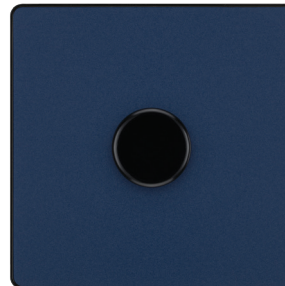
Product Images



PCDCL81W



PCDMG81B



PCDDB81B



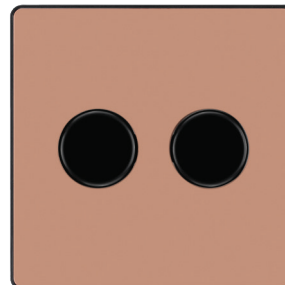
PCDSB81B



PCDBS82W



PCDMB82B



PCDCP82B



PCDBC82B



Colour Reference:

CL = Pearlescent White; MG = Matt Grey; DB = Matt Blue; SB = Satin Brass

BS = Brushed Steel; MB = Matt Black; CP = Polished Copper; BC = Black Chrome

Dimmer Switch - Intelligent Trailing Edge

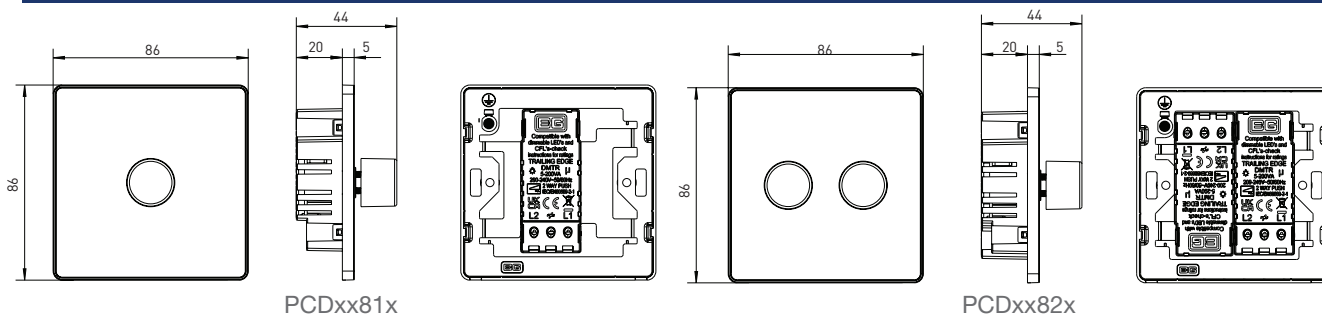
Technical Specifications

Standard(s)	BS EN 60669-2-1
Voltage	250V AC
Type	Trailing Edge
Terminal Capacity	3 x 1mm ² 2 x 1.5mm ² & 1 x 2.5mm ²
RoHS Directive	Yes
WEEE Directive	Yes
Mounting Box Depth (Min)	25mm
Load Rating (Max/Min per module)	
Dimmable LED	5-100W
Tungsten/Incandescent	5-200W
Halogen	20-200W
Dimmable Compact Fluorescent (CFL)	5-100W



Intertek
Lic No. 1019

Line Diagrams



Packaging Information

Cat No.	Description	Packaging Type			Pack Quantity			Barcode		
		Product	Inner Box	Outer Box	Each	Inner Box	Outer Box	Individual	Inner Box	Outer Box
PCDCL81W	1G 2W Push - CL	Eco Blister	Colour Box	Carton	1	5	50	5050765219839	5050765219846	5050765219853
PCDBS81W	1G 2W Push - BS	Eco Blister	Colour Box	Carton	1	5	50	5050765219891	5050765219907	5050765219914
PCDMG81B	1G 2W Push - MG	Eco Blister	Colour Box	Carton	1	5	50	5050765219952	5050765219969	5050765219976
PCDMB81B	1G 2W Push - MB	Eco Blister	Colour Box	Carton	1	5	50	5050765220019	5050765220026	5050765220033
PCDDB81B	1G 2W Push - DB	Colour Box	Colour Box	Carton	1	/	/	5050765225267	/	/
PCDCP81B	1G 2W Push - CP	Colour Box	Colour Box	Carton	1	/	/	5050765226196	/	/
PCDSB81B	1G 2W Push - SB	Colour Box	Colour Box	Carton	1	/	/	5050765224246	/	/
PCDBC81B	1G 2W Push - BC	Colour Box	Colour Box	Carton	1	/	/	5050765224451	/	/
PCDCL82W	2G 2W Push - CL	Eco Blister	Colour Box	Carton	1	5	50	5050765219860	5050765219877	5050765219884
PCDBS82W	2G 2W Push - BS	Eco Blister	Colour Box	Carton	1	5	50	5050765219921	5050765219938	5050765219945
PCDMG82B	2G 2W Push - MG	Eco Blister	Colour Box	Carton	1	5	50	5050765219983	5050765219990	5050765220002
PCDMB82B	2G 2W Push - MB	Eco Blister	Colour Box	Carton	1	5	50	5050765220040	5050765220057	5050765220064
PCDDB82B	2G 2W Push - DB	Colour Box	Colour Box	Carton	1	/	/	5050765225274	/	/
PCDCP82B	2G 2W Push - CP	Colour Box	Colour Box	Carton	1	/	/	5050765226202	/	/
PCDSB82B	2G 2W Push - SB	Colour Box	Colour Box	Carton	1	/	/	5050765224253	/	/
PCDBC82B	2G 2W Push - BC	Colour Box	Colour Box	Carton	1	/	/	5050765224468	/	/

Colour Reference:

CL = Pearlescent White; MG = Matt Grey; DB = Matt Blue; SB = Satin Brass
BS = Brushed Steel; MB = Matt Black; CP = Polished Copper; BC = Black Chrome

Weights & Dimensions

Cat No.	Description	Dimensions (H x W x D) cm				Weight (kg)				CBM (m ³)
		Unpacked Product	Packed Product	Inner Box	Outer Box	Unpacked Product	Packed Product	Inner Box	Outer Box	Outer Box
PCDxx81x	1G, 2W Push (EB)	8.6 x 8.6 x 4.4	15.3 x 11.8 x 4.8	12.7 x 16.7 x 20.7	22.6 x 34.3 x 65.8	0.137	0.157	0.87	9.23	0.05101
PCDxx81x	1G, 2W Push (CB)	8.6 x 8.6 x 4.4	8.7 x 9.0 x 5.8	/	/	0.137	0.170	/	/	/
PCDxx82x	2G, 2W Push (EB)	8.6 x 8.6 x 4.4	15.3 x 11.8 x 4.8	12.7 x 16.7 x 20.7	22.6 x 34.3 x 65.8	0.188	0.208	1.13	11.78	0.05101
PCDxx82x	2G, 2W Push (CB)	8.6 x 8.6 x 4.4	8.7 x 9.0 x 5.8	/	/	0.188	0.221	/	/	/

Packaging Format: (CB) = Colour Box; (EB) = Eco Blister

British General Helpline
03300 249 279

Supplied by
Luceco PLC
Stafford Park 1 Telford TF3 3BD ENGLAND

Visit our website at
www.bgelectrical.uk