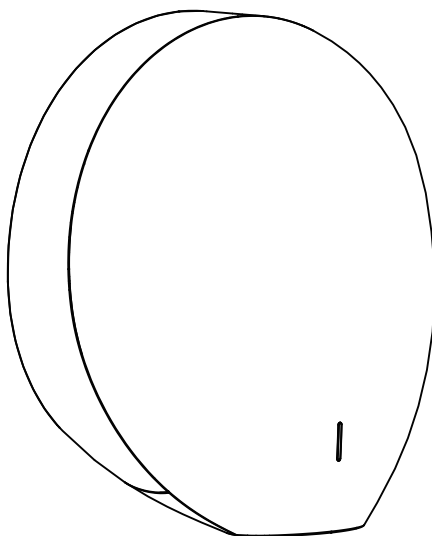




# Pebble Mini

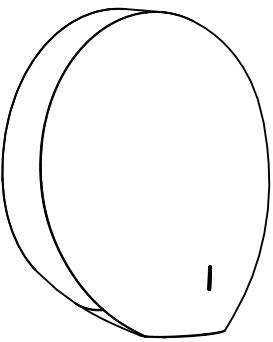
## User Manual



**Everything Hand Dryers®**

# Hand dryer User Manual

## TECHNICAL SPECIFICATIONS

	Item Category	Performance Data
	Operating Voltage	AC 220-240 V, 50/60 Hz, 800 W
	Standby Power	≤0.7 W
	Air Speed Output	96 m/s
	Motor Type	Brushed Motor, 30,000 RPM
	Sensor Type	Auto Infrared touch free operation
	Sensor Range	45° 10-20cm
	Timing Protection	50 seconds auto shut off
	Drying Time	10 ~ 12 sec
	Drip Proof	IPX3
	Isolation	CLASS II
	Unit Size	H 229.9mm x W 263.4mm x D 133.4mm

## IMPORTANT SAFETY INSTRUCTIONS



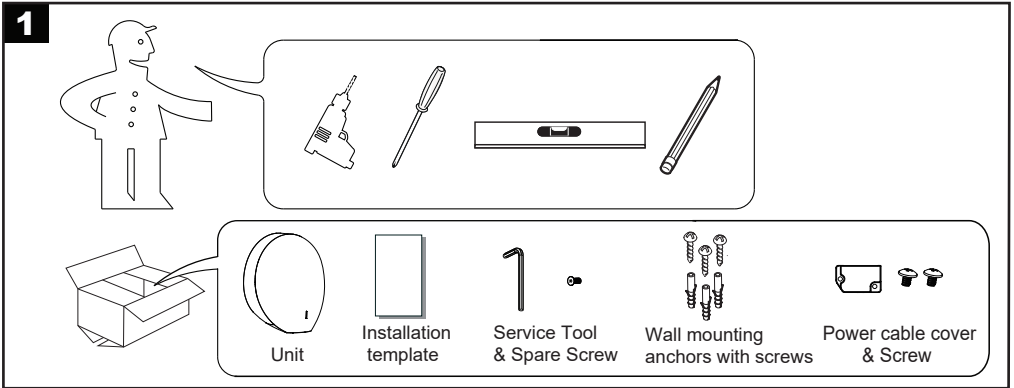
**WARNING – TO REDUCE THE RISK OF FIRE, ELECTRIC SHOCK, OR INJURY TO PERSONS OBSERVE THE FOLLOWING:**

- Use this unit only in the manner intended by the manufacturer. The manufacturer is not responsible for any damages caused by misuse or defective installation.
- The instructions contained within the installation Template must be followed carefully when installing this unit. Failure to accurately follow the instructions may result in the incorrect operation of this unit, damage to property and/or personal injury.
- Installation work and electrical wiring must be done by qualified person(s) in accordance with all applicable codes and standards, including fire-rated construction.
- When cutting or drilling into wall or ceiling, do not damage electrical wiring and other hidden utilities.
- This unit must be powered by a dedicated circuit branch protected by a circuit breaker with the appropriate rating. The correct circuit cable must be used to meet the current consumption for this unit.
- This unit has been designed for indoor use only, protect from water, sun and extreme temperatures, do not install it outdoors or close to moisture and heat generators.
- This unit cannot be modified. Qualified person(s) must be used for maintenance, any repair work or unit removal. If the units stops or works incorrectly, contact your regional dealer or contractor.
- This appliance can be used by children aged from 8 years and above and persons with reduced physical, sensory or mental capabilities or lack of experience and knowledge if they have been given supervision or instruction concerning use of the appliance in a safe way and understand the hazards involved. Do not allow children to play with the appliance or carry out cleaning and/or user maintenance on this hand dryer.
- If the supply cord is damaged, it must be replaced by the manufacturer, its service agent or similarly qualified persons in order to avoid a hazard.

## UNPACKING

1. Remove all packing material. Recycling is recommended.
2. Carefully remove the hand dryer from the shipping carton, using care not to drop the appliance.
3. Inspect carefully for any damage that may have occurred during transit. Check for any loose, missing or damaged parts. If the hand dryer is damaged, promptly inform the shipper or dealer where you purchased it.

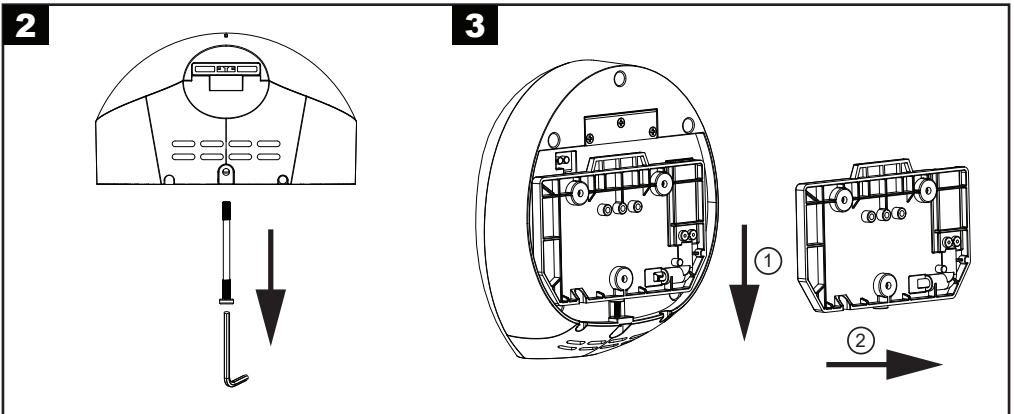
Standard items with the hand dryer are shown in Fig.1 together with tools need by the installer.



## INSTALLATION

### 1. Wall bracket removal

- 1.1 Place the appliance on a cloth to avoid marking its surface.
- 1.2 Remove the one security screw seated on the bottom surface of the unit, using the service tool (fig.2).
- 1.3 Pull down the wall mounting bracket and remove from the unit (fig.3).



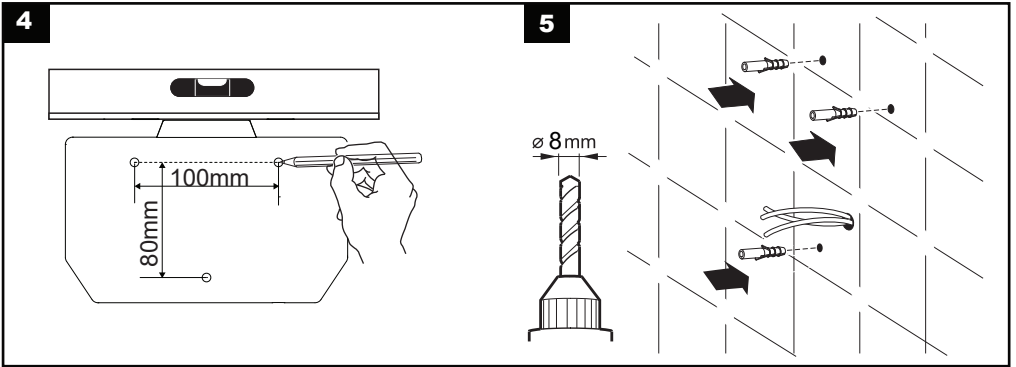
### CAUTION

- Make sure power supply breaker is switched off.
- Check that the electrical supply corresponds to that shown on the rating plate. If the unit is connected to any electrical supply other than stated on the rating plate of the unit, permanent damage or unsafe operation of the unit may result.
- The unit must be mounted on a flat vertical wall capable of supporting the full weight of the unit.

## 2. Positioning

2.1 Mark the location on the wall with a pencil. Use the Installation Template to mark the locations for the three fixing points (fig. 4).

2.2 Pre-drill the wall in the marked locations using 5/16" (8mm) drill, insert the plastic anchors and tap flush to the wall. If the cable entry is to be done from the wall provide a proper cable exit (fig. 5)



## 3. Installing Power cable & Connection terminal block

### WARNING: ENSURE POWER NOT CONNECTED

3.1 Pull the cable through the hole in the wall mounting bracket. Ensure the cable is long enough to route correctly through the wall mounting bracket to the terminal block (fig. 6).

3.2 The cable must sit in the dedicated channel.

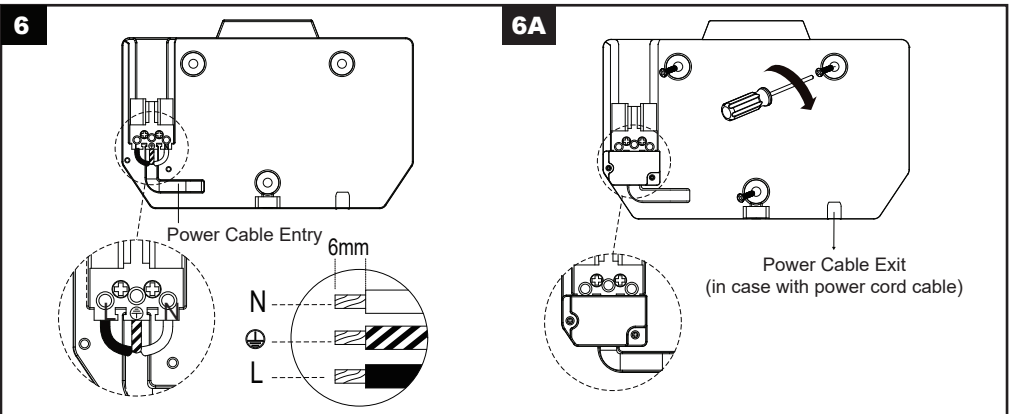
3.3 As shown, connect cable to terminal block.

3.4 Screw in terminal block.

3.5 Fix the wall mounting bracket to the wall. Screw to the wall using the appropriate fitting (fig 6A). 3.6 Fix the cable cover with the screw to the wall mounting bracket.

**CAUTION:** Connect the ground wire to the terminal block marked "⊕"

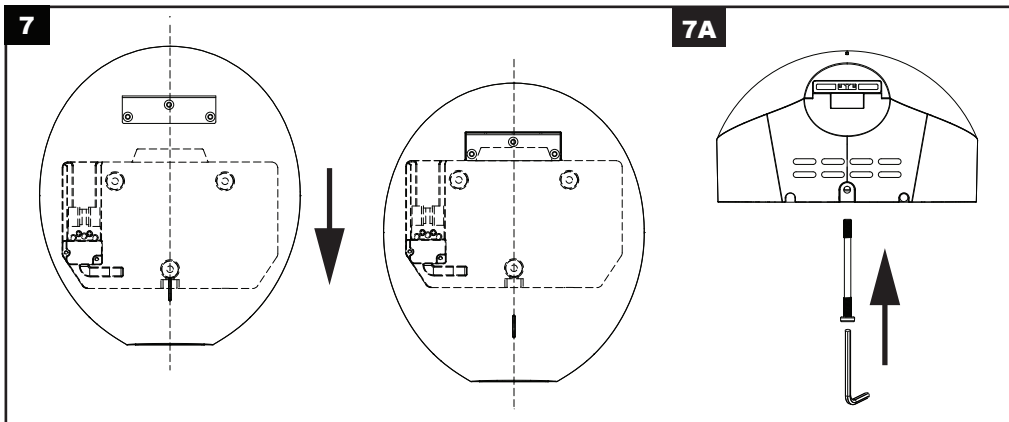
Do not over-tighten and crush the power cable.



4. Fix the Main unit to Wall mounting bracket

4.1 Position the unit centrally above the wall mounting bracket so the metal bracket on the rear is positioned over the mating part of the wall bracket moulding. Keeping the dryer firmly against the wall, slowly slide the dryer down until there is no further travel. The dryer should then be electrically connected (fig 7).

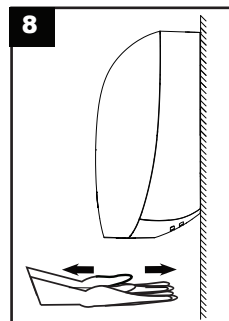
4.2 Insert and tighten the security screw seated on the bottom surface (fig 7A).



5. Turn power on and test the unit for correct operation.

### Use

1. No touch operation.
2. Shake excess water from hands.
3. Place hands under the outlet to start operation (fig. 8).
4. Slowly move hands back and forth under the outlet at the bottom of the dryer.
5. A blue LED light situated at the bottom of the dryer starts with the dryer operation. This assists the user in keeping the hands in the dryer's sensing range.
6. The dryer stops when hands are removed.
7. Hand dryer also auto shuts off after 50 seconds of uninterrupted use.



### Maintenance and cleaning



Lift the Unit off the wall mounting bracket before maintenance or repair. Regularly clean the outer casing use a soft, damp cloth to gently wipe away any dirt.

**CAUTION:** Never use abrasives or chemicals to clean the cover. Do not soak.

