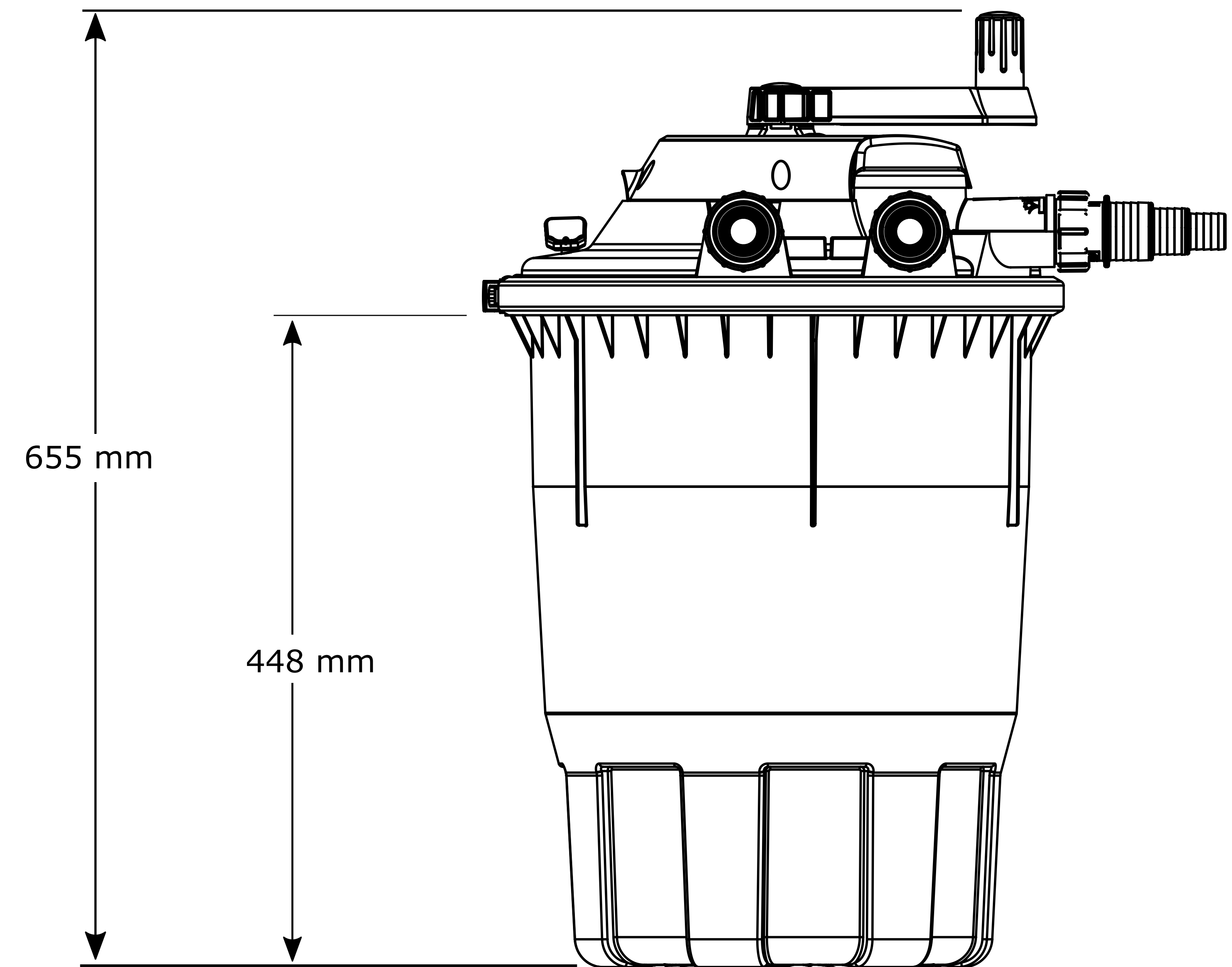
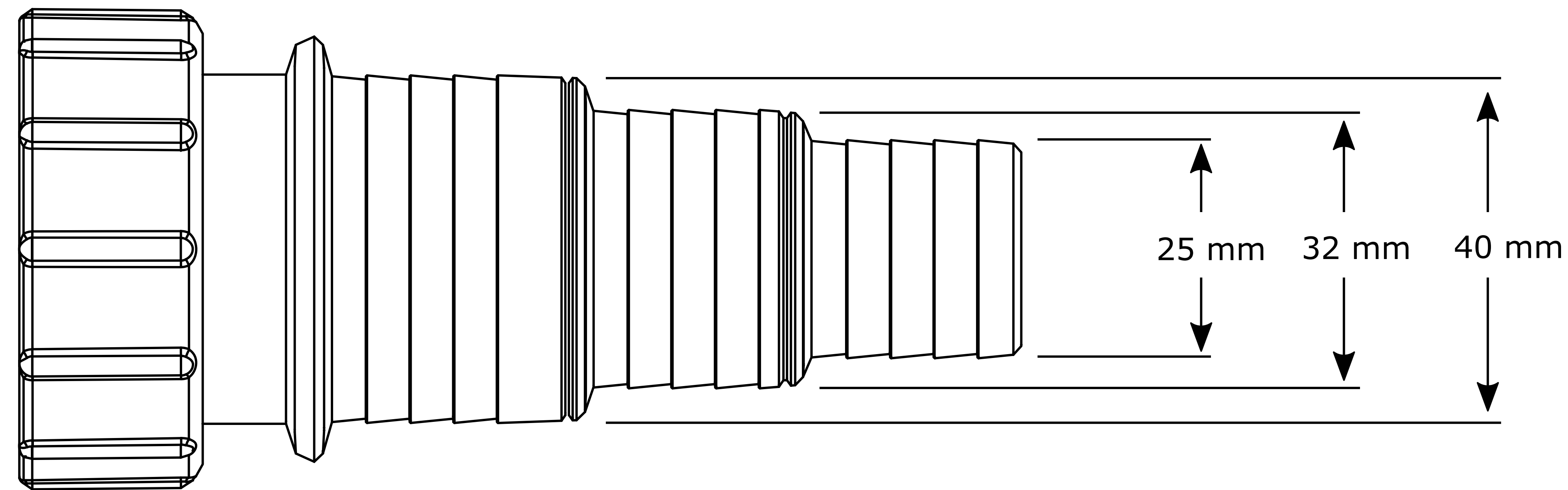
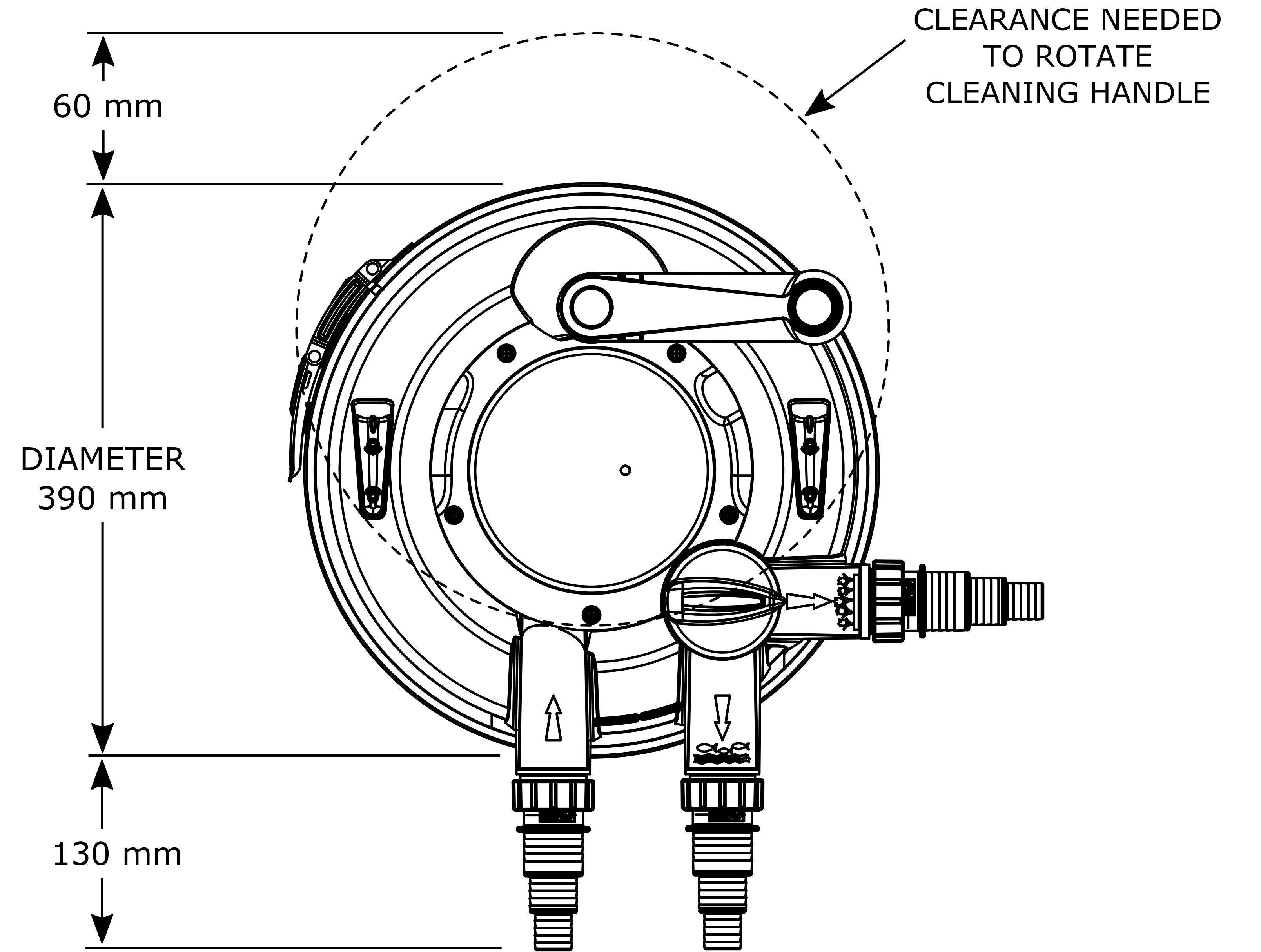
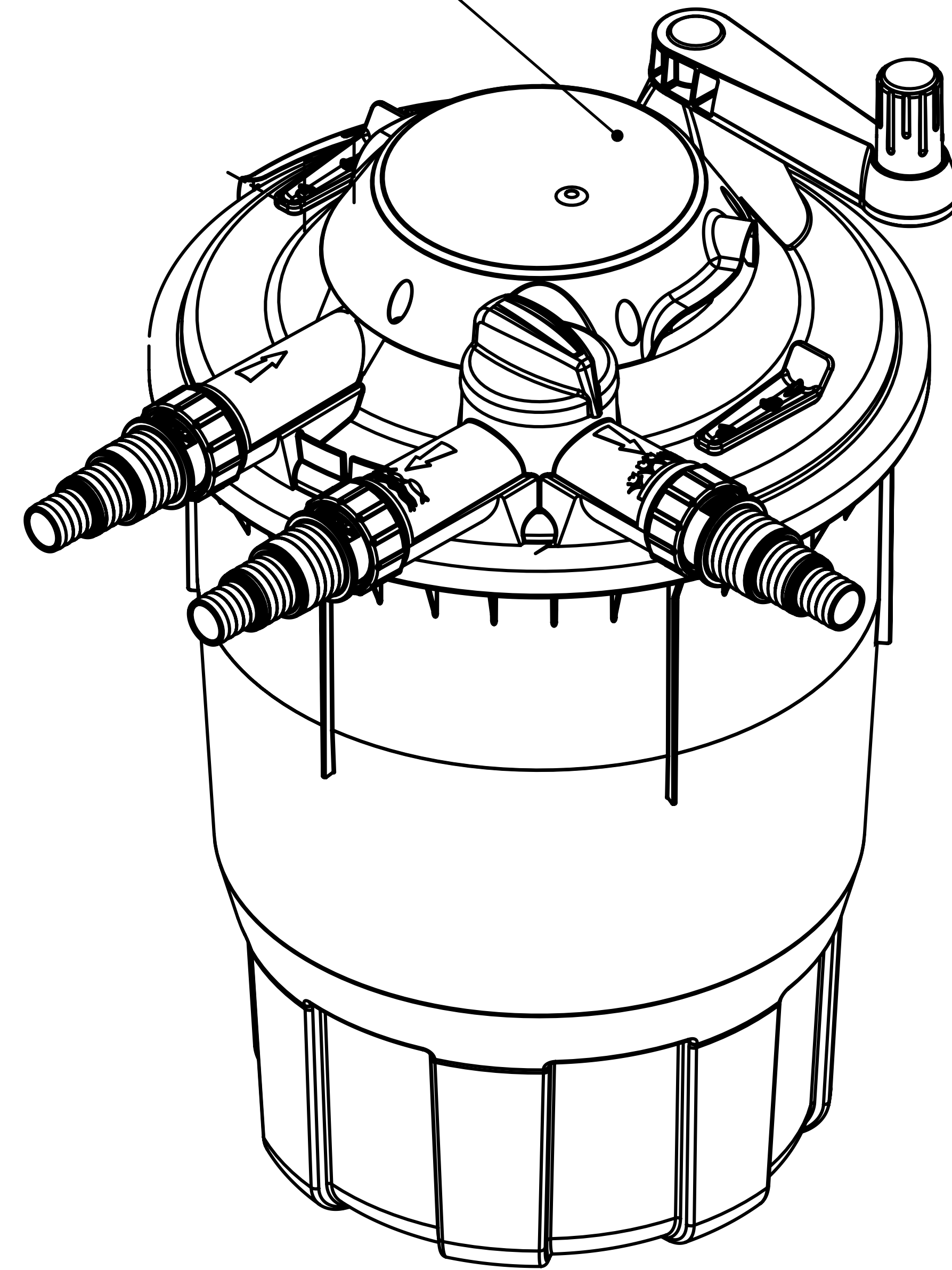




PRODUCT CODE &
RATING LABEL LOCATION



(NOTE: Drawing not to scale – Sizes are for reference and should be used as a guide only)

THE COPYRIGHT OF THIS DRAWING IS RESERVED BY HOZELOCK LTD. IT IS ISSUED ON THE CONDITION IT IS NOT TO BE REPRODUCED OR TRANSMITTED IN ANY FORM OR BY ANY MEANS, ELECTRONIC OR MECHANICAL, INCLUDING PHOTOCOPYING, RECORDING, OR BY ANY INFORMATION STORAGE AND RETRIEVAL SYSTEM, WITHOUT THE WRITING OF HOZELOCK LTD.

NO.	PSI	01006	REVISION	1
ORIGIN	GWALT		DATE	29/05/18