

Read these instructions before commencing installation. Please give these instructions to the owner/occupier after installation to retain for future reference/maintenance.

IP65    240V~50HZ 14W

These fittings are Class II and does not need to be Earthed

Important Information

It is recommended that these luminaires are installed and fitted by a qualified electrician ensuring the installation complies with current IEE wiring regulations & local building control. These products are designed for connection to a 240V~50Hz supply. Any faulty, broken or damaged luminaires should be replaced immediately.

KSR will not accept responsibility for any claims arising from a poor installation.

Please Note: The limited warranty shall be deemed null and void in the following circumstances: Failure by the installer, end user or any third party to exercise caution to protect any covered product or part from outside damage, adverse temperature (normal operating ambient temperature -15 ~ +40°C), humidity conditions, fluctuations in the electrical system or physical abuse as well as failure related to workmanship in the installation of the products or parts.

Important User Advice

Always switch off mains supply before installing, servicing and maintenance.

Please ensure that a suitable maintenance schedule is performed including greasing all metal bolts/nuts and screws to ensure the product gives you a long lasting trouble free life.

Installation Procedure

Safely isolate the mains supply.

Wall Mounting

Remove the bracket from the body by removing the two bolts.

Mark the position of the fixings on the wall using the bracket as a template, avoiding any wiring in the wall.

Drill and prepare the holes for the fixings suitable for the substrate.

Fix the mounting bracket to the wall using the suitable fixings.

Support luminaire whilst making connections. Always avoid straining cables.

Connect the wires to luminaire using a suitable connector (Not Supplied).

Connect the live supply (L) Brown to Brown, connect the Neutral (N) Blue to Blue.

When carrying out the connection procedure always ensure all terminations are fully tightened and no loose strands of wire are present.

Adjust head angle, grease and tighten the 2 bolts.

Select the CCT colour by removing the switch cover on the head and switching the switch to the desired colour. Then reinstall switch cover. Never switch the CCT switch while powered on as this can damage the LEDs and will invalidate the warranty.
Turn on mains supply and test.

Extension Mounting using optional KSR6103 or KSR6104

Mark the position of the fixings on the wall using the extension bracket as a template, avoiding any wiring in the wall.

Drill and prepare the holes for the fixings suitable for the substrate.

Screw the extension into the base bracket of the KSR6102

Fix the extension bracket to the wall using the suitable fixings.

Connect the wires to luminaire using a suitable connector (Not Supplied).

Connect the live supply (L) Brown to Brown, connect the Neutral (N) Blue to Blue.

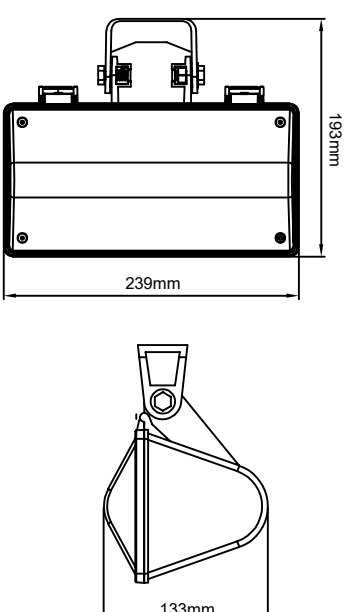
When carrying out the connection procedure always ensure all terminations are fully tightened and no loose strands of wire are present.

Adjust head angle, grease and tighten the 2 bolts.

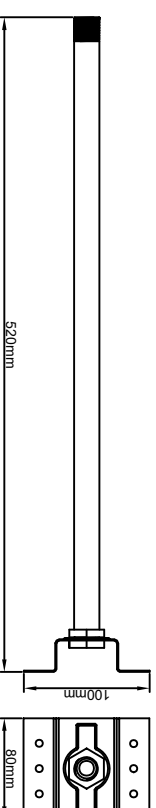
Select the CCT colour by removing the switch cover on the head and switching the switch to the desired colour. Then reinstall switch cover. Never switch the CCT switch while powered on as this can damage the LEDs and will invalidate the warranty.
Turn on mains supply and test.



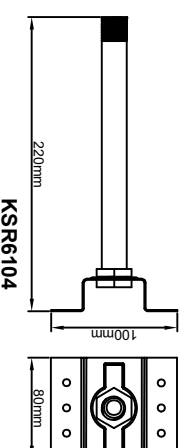
Available finish: Black



Supplied with 1000mm of flex



KSR6103



KSR6104

Lamp Details

Lamp: Dedicated LED
Wattage: 14W
Colour: Switchable 3000K - 4000K - 6000K
3000K Lumen Output: 1225 lumens
4000K Lumen Output: 1340 lumens
6000K Lumen Output: 1165 lumens
CRI: Ra>81

The light source of this luminaire is not replaceable; when the light source reaches its end of life the whole luminaire shall be replaced

This product contains a light source of energy efficiency class E

KSR Lighting Atensales: 023 92 674343

E-mail: atensales@ksrlighting.com

KSR Lighting Ltd, Unit E Hazleton Interchange, Lakesmere Road, Horndean, Hampshire, PO8 9JU

