

Navara SF Select

Commercial Lighting



Data Sheet

Product Information

The Navara SF Select surface fittings are the ultimate bulkhead solution, as standard fittings are triple CCT & multi wattage selectable. Selectable for 3000K, 4000K or 6000K and 10W, 14W & 20W outputs.

With the optional rims this creates 90 in 1 variation for each bulkhead.

They are suitable depending on rim choice to be mounted internally or externally.

Comes with a 5 year warranty.

Product Features

- 5 year warranty
- Class II
- IP65 (*IP54)/ IK10
- Colour Temperature & Wattage selectable 3000K, 4000K or 6000K LED and 10W, 14W & 20W outputs
- CRI: Ra>84
- Up to 128 lumens per circuit Watt
- Wall or ceiling mountable
- Standard Emergency and Self-test Emergency versions available
- Microwave versions available
- Multiple cable entries (side or rear)
- Suitable for Besa Box mounting
- Multiple rim options
- L70 - 40,000hrs

Product Specification

Product Code	Product Description
KSRSF330	Navara SF Select LED Multi Wattage Triple CCT Surface Fitting
KSRSF331	Navara SF Select LED Multi Wattage Triple CCT Surface Fitting with Integral Emergency
KSRSF331STEM	Navara SF Select LED Multi Wattage Triple CCT Surface Fitting with Integral Self-test Emergency
KSRSF332	Navara SF Select LED Multi Wattage Triple CCT Surface Fitting with Microwave Sensor
KSRSF333	Navara SF Select LED Multi Wattage Triple CCT Surface Fitting with Microwave Sensor and Integral Emergency
KSRSF333STEM	Navara SF Select LED Multi Wattage Triple CCT Surface Fitting with Microwave Sensor and Integral Self-test Emergency
KSRSF334	Navara SF Select LED Multi Wattage Triple CCT Surface Fitting with Corridor Function Mode
KSRSF335	Navara SF Select LED Multi Wattage Triple CCT Surface Fitting with Corridor Function Mode and Integral Emergency
KSRSF335STEM	Navara SF Select LED Multi Wattage Triple CCT Surface Fitting with Corridor Function Mode and Integral Self-test Emergency
KSRSF336*	Navara SF Select LED Multi Wattage Triple CCT Surface Fitting with Photocell
KSRSF337*	Navara SF Select LED Multi Wattage Triple CCT Surface Fitting with Photocell and Integral Emergency
KSRSF337STEM*	Navara SF Select LED Multi Wattage Triple CCT Surface Fitting with Photocell and Integral Self-test Emergency

*IP54

Wattage (W)	CCT (K)	Lumens (lm)	CRI (Ra)	Energy Efficiency Class 2021	Protection Class
10	3000	1145	85	F	II
	4000	1261	87		
	6000	1212	84		
14	3000	1457	85	F	II
	4000	1658	87		
	6000	1559	84		
20	3000	1819	85	F	II
	4000	2126	87		
	6000	1947	84		

Technical Data

	10W Output	14W Output	20W Output
Nominal voltage	220~240VAC	220~240VAC	220~240VAC
Operating frequency	50-60Hz	50-60Hz	50-60Hz
Circuit Wattage	9.8w including driver losses	13.4w including driver losses	18.2w including driver losses
Circuit Current	TBC	TBC	TBC
Driver mA Rating	175mA Max	175mA Max	175mA Max
PFC	>0.9	>0.9	>0.9
In Rush Current	TBC	TBC	TBC
Ambient temperature range (KSRSF330 & KSRSF332)	-10°C~+30°C	-10°C~+30°C	-10°C~+30°C
Ambient temperature range (KSRSF331 & KSRSF333)	0°C~+30°C	0°C~+30°C	0°C~+30°C
Start time	< 0.5 sec	< 0.5 sec	< 0.5 sec
IK rating	10	10	10
IP rating	65	65	65

Optional Rims

Product Code	Product Description
KSRSF320	Navara SF Plain Rim Gloss White
KSRSF321	Navara SF Plain Rim Chrome
KSRSF322	Navara SF Plain Rim Satin Chrome
KSRSF323	Navara SF Plain Rim Matt Black
KSRSF324	Navara SF Plain Rim Matt White
KSRSF325	Navara SF Eyelid Rim Matt Black
KSRSF326	Navara SF Eyelid Rim Matt White
KSRSF327	Navara SF Grille Rim Matt Black
KSRSF328	Navara SF Plain Rim Silver
KSRSF329	Navara SF Eyelid Rim Silver

Construction

Body:	Polycarbonate
Diffuser:	Polycarbonate
Rim:	ABS

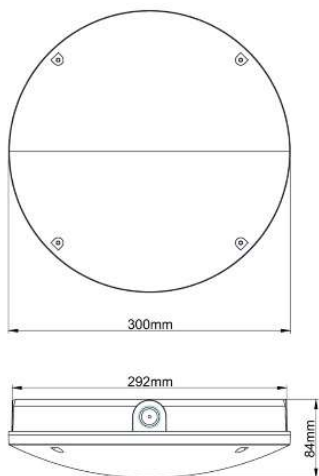
Standards

BSEN60598-1:2021	Luminaires – Part 1: General requirements and tests
BSEN60598-2-22:2014+A1:2020	Luminaires – Part 2: Luminaires for Emergency Lighting

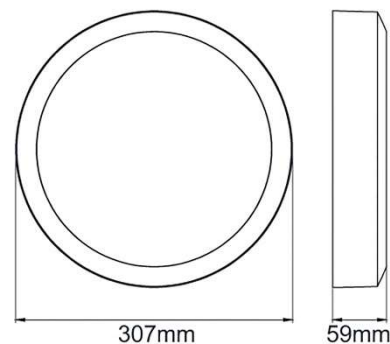
In Conformity with

LVD	Low voltage directive 2014/35/EU
EMC	Electromagnetic compatibility directive 2014/30/EU
ERP	Energy related products directive 2019/2020/EC
RoHS	Restriction of hazardous substances 2015/863/EU

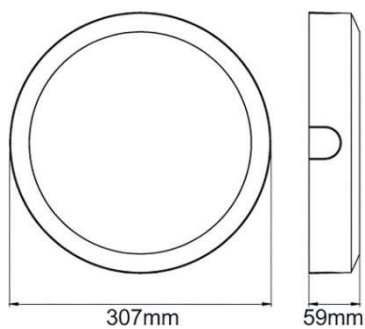
Product Dimensions



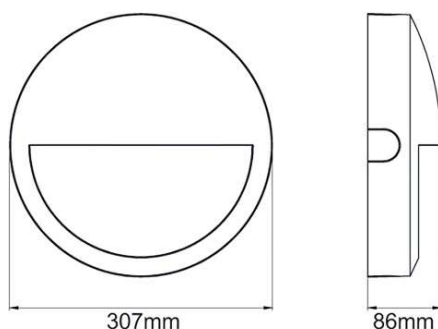
KRSF330-KRSF337



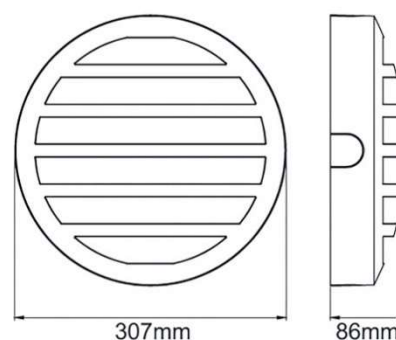
KRSF320-KRSF322



KRSF323-KRSF324/329



KRSF325-KRSF328



KRSF327

KSR Lighting is constantly developing and improving its products. For this reason, all product descriptions in this data sheet are intended as a general guide, and KSR may change specifications from time to time in the interest of product development, without prior notification or public announcement. All descriptions in this data sheet present only general particulars of the goods to which they refer and shall not form part of any contract. Data in this guide has been obtained in controlled experimental conditions. However, KSR Lighting cannot accept any liability arising from the reliance on such data to the extent permitted.