

Three Pole Fan Isolators

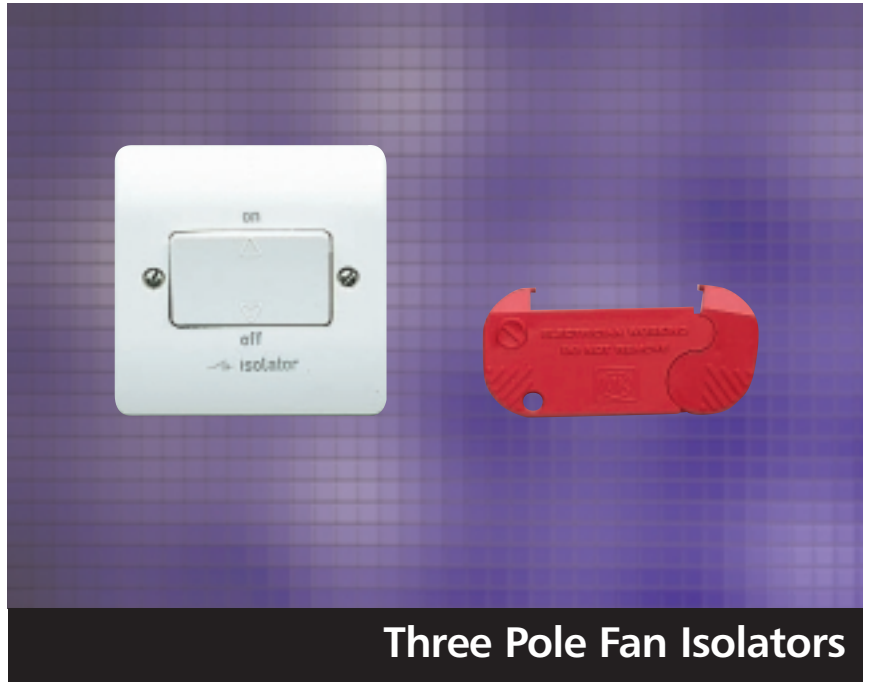
1:3

Logic Plus

Edge

Albany Plus

Chroma Plus



Three Pole Fan Isolators

PRODUCT RANGE

Logic Plus

10A With switchlock and padlock	K4857 WHI
10A Without switchlock	K4859 WHI
10A Switchlock for fan isolator	K4858
Padlock	K2000

Edge

10A Fan Isolator	K14859*
------------------	---------

Albany Plus

10A Fan Isolator	K4860 MCO
	K4860 SAB

Chroma Plus

10A Fan Isolator	K4860 PCR
------------------	-----------

*Edge is available in a choice of 10 different finishes. See MK catalogue for more details.

Description

The MK Three Pole Fan Isolator provides a safe and simple method of isolating mechanical fan units and is particularly useful in bathrooms, toilets, storerooms and basements where there is little or no natural light.

For example, timer controlled fans are often linked into the lighting circuit for energy saving and convenience. In such an installation there is often a need for the lighting circuit to remain live to provide light whilst the fan unit is externally isolated so that routine maintenance and repairs can be carried out in complete safety.

The 4857 fan isolator can be used as a double pole or triple pole isolator. In addition it includes a clear on/off indicator and the frontplate features a fan isolator symbol for easy circuit identification.

Standards and approvals

Comply with BS EN 60947: 1992

Features

- Switchlock list no. 4858 is available to allow the isolator to be locked in the disconnected position to facilitate fan maintenance

Three Pole Fan Isolators

2:3

Logic Plus

Edge

Albany Plus

Chroma Plus



TECHNICAL SPECIFICATION

Electrical

Voltage rating:
250V a.c. 50Hz

Current rating:
10 amps

Terminal capacity:
4 x 1mm²
4 x 1.5mm²
3 x 2.5mm²
2 x 4mm²
1 x 6mm²

Contact gap:
3mm nominal

Classifications

Method of operation: Stored energy operation
Suitability for isolation: Suitable for isolation

Ratings

Utilisation category	AC23B
Rated operational voltage (Ue)	250V
Conventional free air thermal current (Ith)	10A
Rated frequency	50Hz
Rated making capacity	100A rms
Rated breaking capacity	80A rms
Rated conditional short-circuit current	6000A rms
(with supply side protective device GEC NIT 16 BS88: part 2: 1988 16A 550VAC utilisation category gG 80KA breaking capacity fuse links.)	

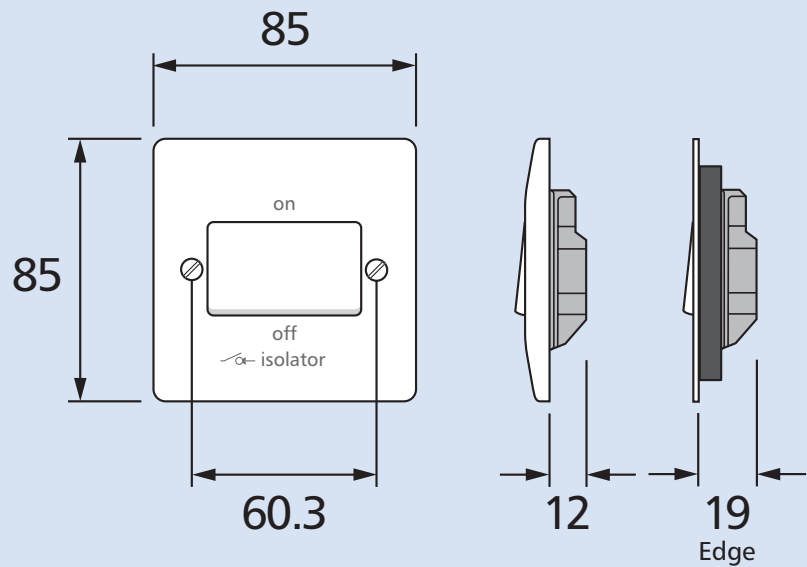
Physical

Operating temperature:
-5°C to +40°C

IP rating:
IP4X

Max. installation altitude:
2000 metres

Dimensions (mm)



Box types

	Flush	Surface
Logic Plus	3995 ZIC	K2160 WHI
Albany/Chroma	3995 ZIC	K2142 WHI
Edge	866 ZIC	K2153 WHI

Installation

Edge Three Pole Fan Isolators are installed with the front edge of the mounting box set back 10mm from the mounting face.

Three Pole Fan Isolators

3:3

Logic Plus

Edge

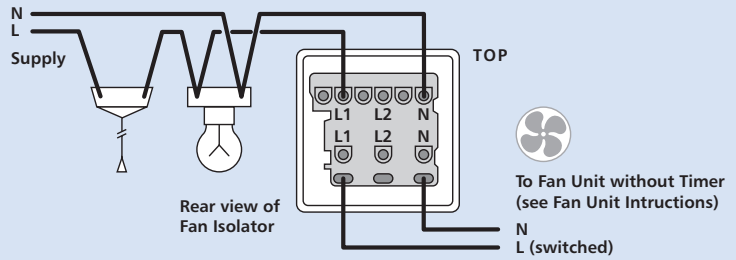
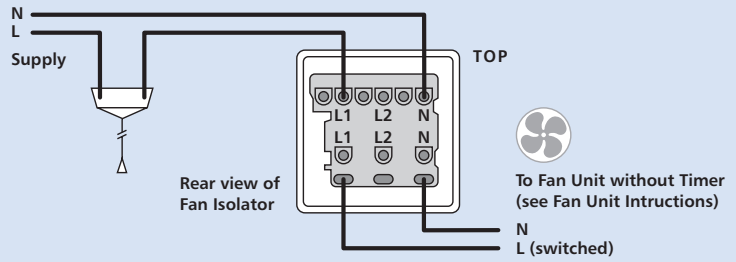
Albany Plus

Chroma Plus



Wiring Diagrams

Two pole switching for fan units without timers



Three pole switching for fan units incorporating timers

