



visiblewave®

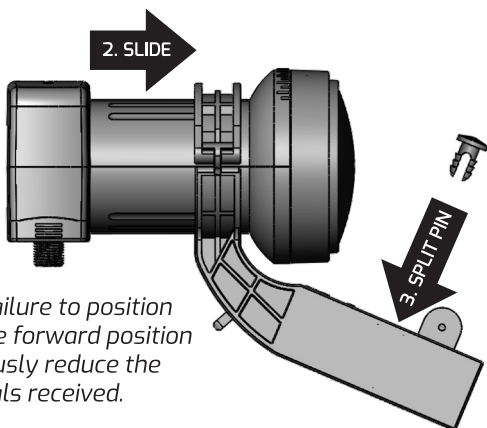
VK4L - Universal Quad LNB

Installation Guide

PLEASE NOTE: visiblewave LNB's are intended for installation by professional installers. Trying to align an LNB requires metering equipment not normally available to the public.

PLEASE NOTE: Working at height is dangerous and should only be carried out by a competent person that has properly assessed the risks and inspected and maintained the equipment being used for the job.

- 1 Carry out basic alignment of your dish, setting the angle of elevation above the horizontal and azimuth angle from magnetic North.
- 2 Loosen the screw on the collar and slide the bracket on the LNB to the front adjacent to the feedhorn as shown below.



PLEASE NOTE: Failure to position the bracket in the forward position shown can seriously reduce the strength of signals received.

- 3 For popular "Mk4" dishes the bracket should fit directly onto the dish arm and is secured with the plastic split-pin supplied. For other designs of dish you may need to replace the bracket supplied with a compatible bracket with 40mm neck.
- 4 Roughly align the polarisation angle of the LNB then connect your meter for the final fine tuning. When aligned tighten the screw on the collar.
- 5 Remove the meter and connect the down-leads to the receivers or multiswitch using f-connectors, then pull down the weather shield.

Declaration of Conformity

Hereby, Visiblewave declares that this satellite broadcast reception equipment is in compliance with the Radio Equipment Directive 2014/53/EU. The full Declaration of Conformity is available by contacting the following internet address: www.philex.com/DoC



Technical Support

Our website: www.visiblewave.tv
Email: technical@visiblewave.tv



Waste electrical and electronic products must not be disposed of with household waste. Please recycle where facilities exist. Check with your Local Authority for recycling advice.

