



Quinetic WiFi LED Strip Receiving Controller



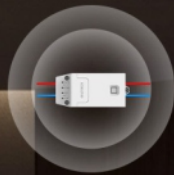
The QURWST WiFi LED strip controller can switch ON/OFF and dim 12-24V light strips (tapes). There are two control methods: wireless Quinetic switch and "Kinetic Switch" App.

It is equipped with an in-rush current suppression function thus creating a safe and durable product. Using the Kinetic Switch APP it can be voice controlled and easily realize scene and timing control.



LIGHT STRIP CONTROL

DC12-24V, 9A, ON/OFF and dimming

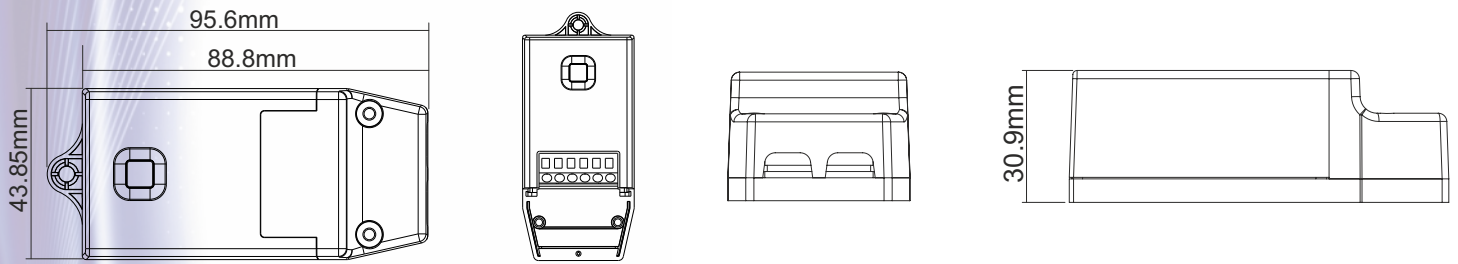


12-24V Light Strip Control

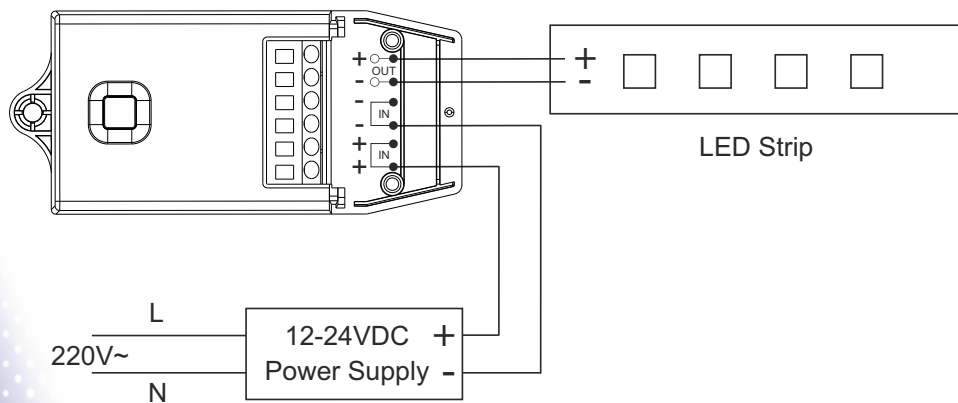
The QURWST controller can switch and dim 12-24V light strip by two methods: wireless kinetic switch control and APP control.



Product Dimensions:



Wiring Diagram:



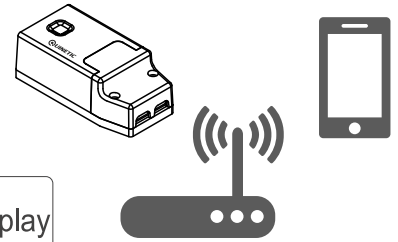
Technical Parameters

Product Model	WiFi LED Strip Wireless Receiving Controller
Operating Voltage	DC 12~24V
Power Supply Mode	Positive (+) & Negative (-)
Output	Single channel dimmable
Rated Current	9A (108W/12V LED Strip & 216W/24V LED Strip max.)
Protection Level	IP20
Communication Way	RF 433MHz & WiFi 2.4G IEEE 802.11 b/g/n
Application	Intelligent Lighting Control
Operating Distance	80m (Outdoors) / 25m (indoors)
ON/OFF Life	≥ 100000 times
Standby Power Consumption	<1W
Storage capacity	10pcs wireless Quinetic switch information
Installation Method	Screws / 3M sticker
Wiring Method	Push-In Terminals
Product Size	L95.6 * W43.85* H30.9mm
RF Receiving Sensitivity	-110dBm
Operating Temperature	-20°C ~ +55°C
Certifications/Standards	CE / ROHS / EN60669-1:2018 / EN IEC55015:2019

WiFi Receiver controls:

The Android and iOS app can be used to pair the Quinetic switches to the WiFi receiver to turn the strip lights ON/OFF and set the brightness level. In order to add the receiver to the phone APP the phone and the receiver must use the same wireless router and a 2.4Ghz network.

Search **Kinetic Switch** application on your AppStore or Android Market and download and install it on your iOS device (iPhone, iPad) or on your Android device.



Amazon ALEXA / Google Home compatible:



The WiFi Quinetic receiver can be controlled by Amazon Alexa or Google Home APP - just add the skill "Smart Life" to Alexa/Google APP and then discover the device in your "Smart Home".



Google HOME

Voice control can be used in Alexa/Google APP:
 "Alexa/Google, turn on/off bedroom light"
 "Alexa/Google, set bedroom light to 50 percent"
 "Alexa/Google, brighten/dim living room light"

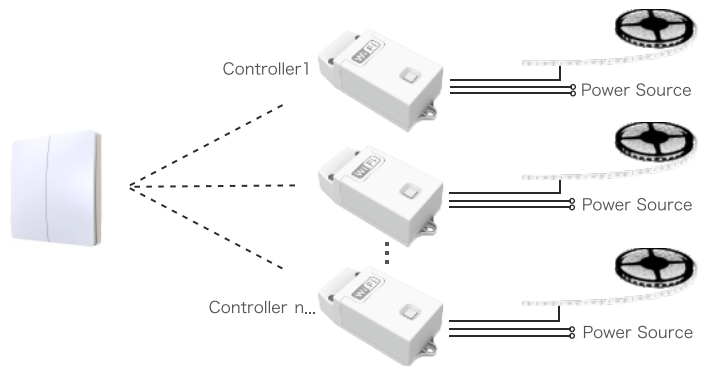
Quinetic Controller Wireless Systems

The wireless Quinetic energy switch and wireless receiving controller can be paired with any combination: a controller can be controlled by a maximum of 10 separate switches, a switch can pair an unlimited number of controllers.

1-Way Wireless System

Single-Multi-Control

Quinetic Wireless Switch

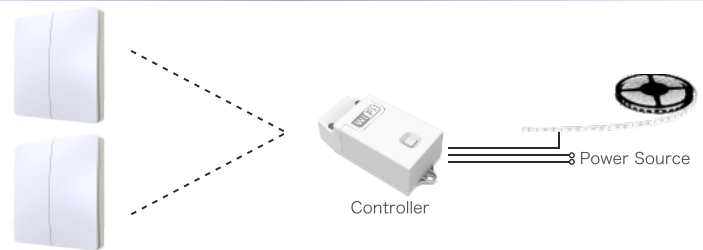


2-Way Wireless System

Dual Control

Quinetic Wireless Switch 1

Quinetic Wireless Switch 2



3-Way Wireless System

Multi-Single-Control

Quinetic Wireless Switch 1

Quinetic Wireless Switch 2

Quinetic Wireless Switch 10

