

ANCILLARY PACKS for Cased and Contra Rotating Axial Fans

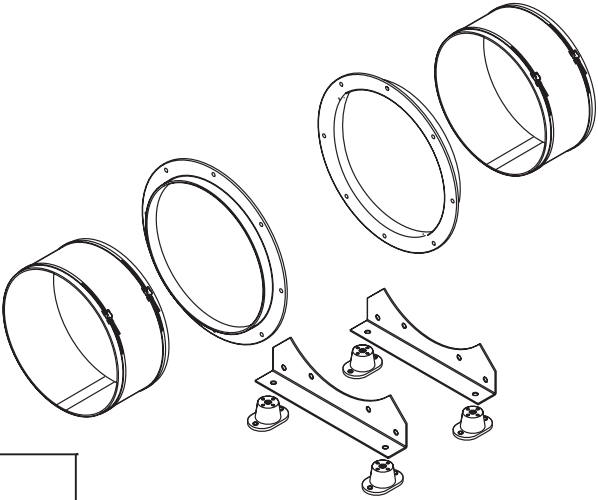


SPANC Ancillary Pack Dimensions

The SPANC Ancillary Pack range is a complete kit of matched parts selected to isolate axial fans from the surrounding structure. The SPANC kit consists of:

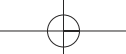
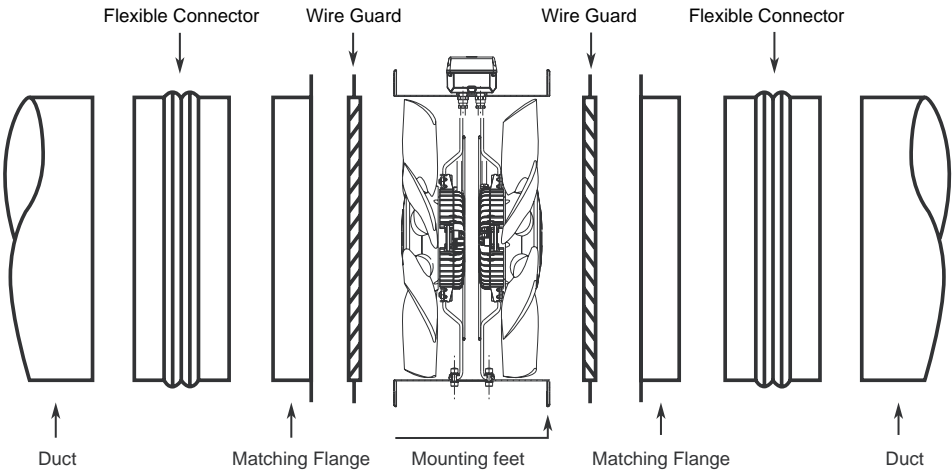
- 2 N^o. Matching Flanges
- 2 N^o. Flexible connectors
- 4 N^o. Flexible Connection Bands
- 2 N^o. Universal Mounting Feet
- 4 N^o. Anti Vibration Mounts

The components are selected to isolate Cased axial fans and are standardized for units up to 630mm Diameter.



COMPACT CASED AXIAL FANS
(Pattern A)

UNIT REF/SIZE	Diame ter	No. Holes	PCD	Bolt Size
SPANC-250	250	8	286	M6
SPANC-315	315	8	355	M8
SPANC-355	355	8	395	M8
SPANC-400	400	8	450	M10
SPANC-450	450	8	500	M10
SPANC-500	500	12	560	M10
SPANC-560	560	12	620	M10
SPANC-630	630	12	690	M10

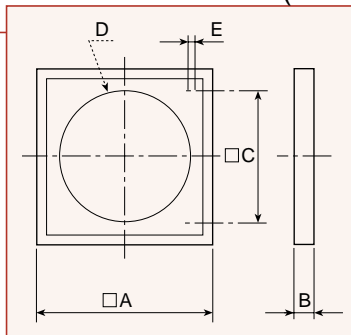


BACK DRAUGHT SHUTTERS & OUTLET GUARDS

PLASTIC LOUVRE BACK DRAUGHT SHUTTERS (PER W)



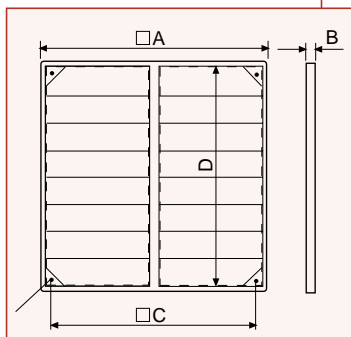
From 100 up to 500 models



Model	A	B	C	Ø D	Ø E
PER-250 W	294	26	233	260	5
PER-355 W	394	26	310	360	5
PER-400 W	457	26	365	420	5
PER-450 W	499	31	395	460	5
PER-500 W	548	31	443	510	5



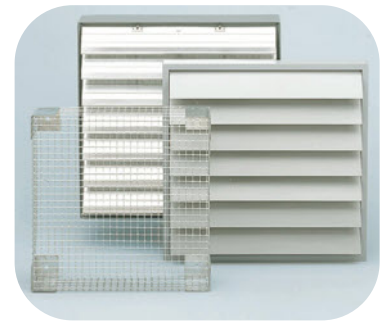
From 560 up to 630 models



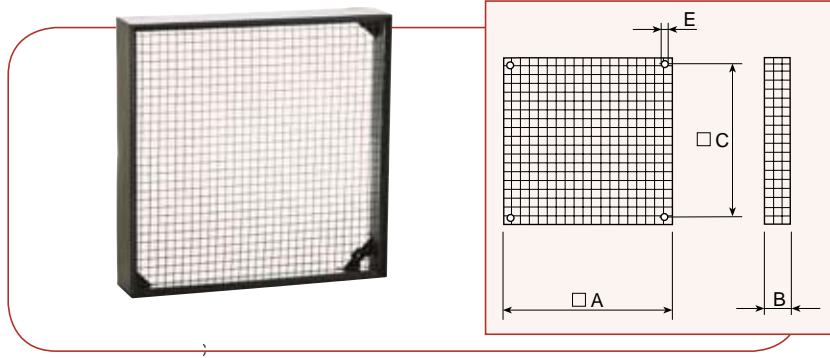
Model	A	D	C	B
PER-560 W	605	565	522	28
PER-630 W	696	655	626	31

Louvre back draft shutters manufactured totally from UV stabilized plastic material.
 Supplied as standard in grey colour.
 Suitable for agricultural exhaust or supply air applications (high protection against corrosion).





SQUARE DISCHARGE WIRE PROTECTION GUARDS (DEF-D)



Model	A	B	C	
	ØE			
DEF-250 D	332	64	286	8
DEF-325 D	397	64	351	8
DEF-375 D	449	64	403	8
DEF-450 D	501	64	455	8
DEF-525 D	553	64	507	8
DEF-630 D	808	150	735	8
DEF-800 D	1008	140	935	8
DEF-1000 D	1258	155	1185	8

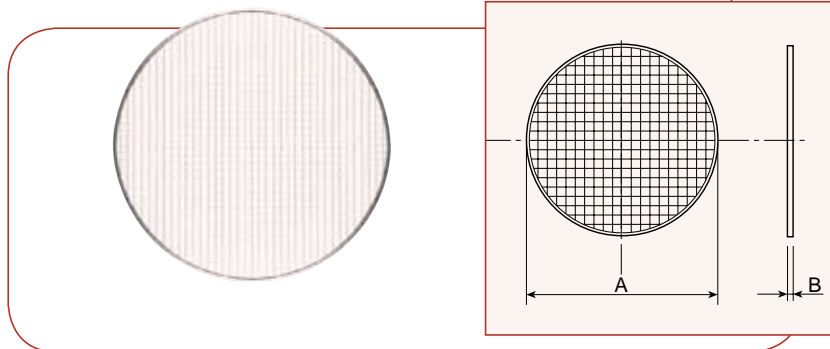
Width of the wire gaps (mm):

10,6 x 10,6 (from 250 models to 525)

25 x 25 (from 630 models to 1000)

Protection guard to prevent any contact with the fan impeller.

INLET/OUTLET WIRE PROTECTION GUARDS (DEF-T)



Model	A	B	Model	A	B
DEF-250 T	312	1,2	DEF-560 T	655	3
DEF-315 T	380	3	DEF-630 T	725	3
DEF-355 T	420	3	DEF-710 T	805	3
DEF-400 T	475	3	DEF-710/H-T	805	3
DEF-450 T	525	3	DEF-710/L-T	805	3
DEF-500 T	595	3	DEF-800 T	895	3

Width of the wire gaps (mm):

10,6 x 10,6 (from 250 models to 630)

25 x 25 (from 710 models to 800)

Inlet/outlet guard protection grille to be mounted to the S&P COMPACT cased axial fans.





ELECTRONIC SPEED CONTROLLERS

Electronic speed controller REB range

The REB range of electronic speed controller is for use in general areas. The casing is protected to class IP44.

Mains Supply: 230V ~ 50Hz

Output: Variable - 3 wire speed control recommended for best results

Technical details and dimensions:

Product Ref No:	Model/Code	Max. Current (A)	Dimensions (mm) / IP rating
S&P1000000076	REB-3	3 A	120 x 100 x 55 / IP44
S&P1000000077	REB-5	5 A	148 x 88 x 55 / IP44
S&P1000000027	REB-6	6 A	148 x 88 x 55 / IP44



TRANSFORMER SPEED CONTROLLERS



Transformer speed controller type RMB - Single Phase range:

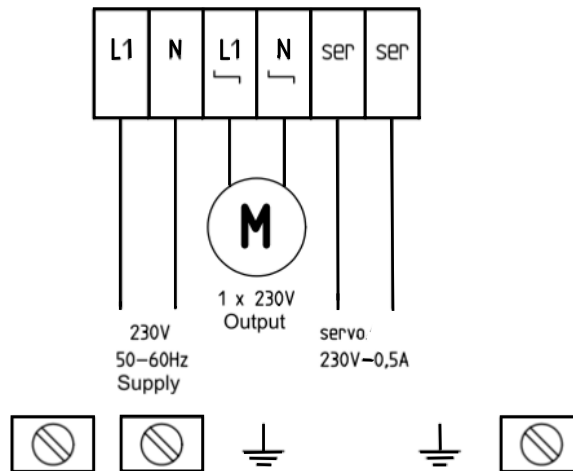
The 5-speed transformer controller type RMB is for use with single phase fans in light industrial areas and kitchens. The casing is protected to class IP54. The controller has connections for motorised shutter or servo (Output: Voltage 230 V ~ 50-60 Hz / 0.5 A max.) and motors with thermal protection (manual reset after thermal cut-out and power interrupt).

Mains Input: 230V ~ 50-60 Hz

Output voltage: 0 - 60 - 85 - 110 - 140 - 230 V for axial fans.

Product Ref No:	Model/Code	Max. Current (A)	Dimensions (mm) / Casing Material
TM2-1,5 055.520.015	RMB-1,5	1,5 A	180 x 145 x 85 / Plastic
TM2-3 055.520.030	RMB-3	3 A	180 x 145 x 85 / Plastic
TM2-5 055.520.050	RMB-5	5 A	255 x 180 x 150 / Plastic
TM2-7 055.520.070	RMB-7	7 A	255 x 180 x 150 / Plastic

Connection Diagram:



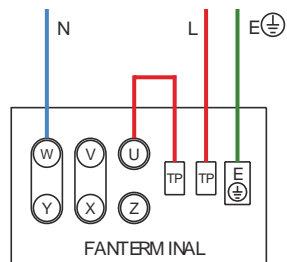
WIRING DIAGRAMS

WIRING DIAGRAMS FOR COMPACT PLATE AND CASED AXIAL FANS (SINGLE PHASE 230V~50HZ)

COMPACT PLATE MOUNTED AXIAL FLOW FANS

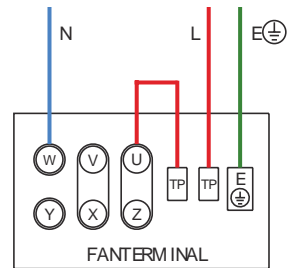
SINGLE PHASE FAN (250-400 DIA.)

ELECTRICAL SUPPLY:
230V 1PH 50HZ



SINGLE PHASE FAN (450-630 DIA.)

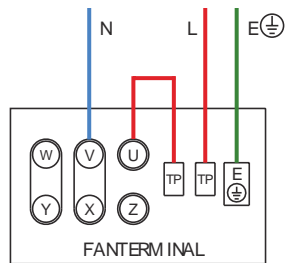
ELECTRICAL SUPPLY:
230V 1PH 50HZ



COMPACT SLIM CASED AXIAL FLOW FANS

SINGLE PHASE FAN (250-400 DIA.)

ELECTRICAL SUPPLY:
230V 1PH 50HZ



SINGLE PHASE FAN (450-630 DIA.)

ELECTRICAL SUPPLY:
230V 1PH 50HZ

