

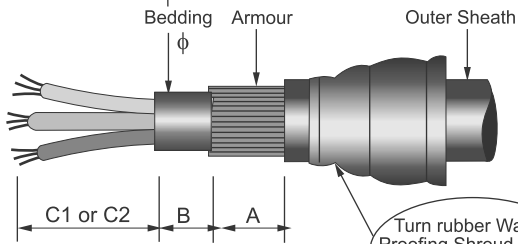
1 CABLE PREPARATION

This Pratley Aluminium Alloy Cable Box is supplied with built in glands for armoured cable. (Unarmoured cable is also easily accommodated by using Compression Conversion Kits).

POLICY STATEMENT
"The performance of our products must exceed all others on the World Market"
K.G.M. Praty CEO

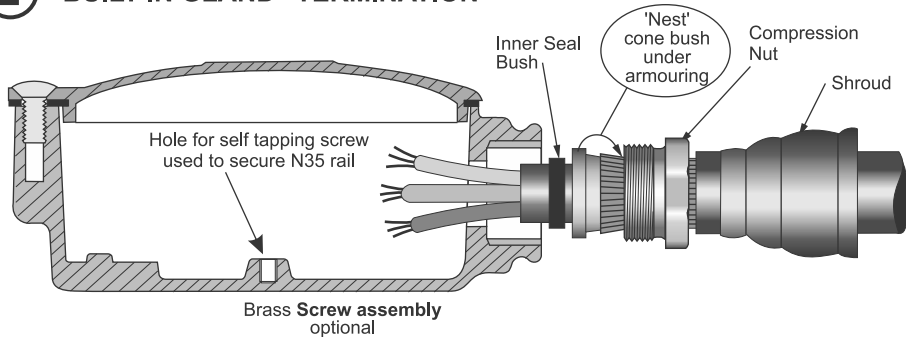
Dimens. mm	Box/Gland Size		
	0	1	2
A	22,0	27,0	35,0
B	9,0	9,0	10,0
*C1	120	140	180
*C2	260	290	370
Min	8,0	12,7	15,8
Max	12,6	15,7	20,4

CERTIFICATION		
IP66/68		SANS 60529



Turn rubber Water Proofing Shroud inside out, pull over cable, large end first.

2 "BUILT IN GLAND" TERMINATION



Internal Earthing Boss (tapped M5) standard on all boxes.

External Earth Lug/ Lid Securing Chain lug standard on all boxes

Mounting Lug (M6 screw)

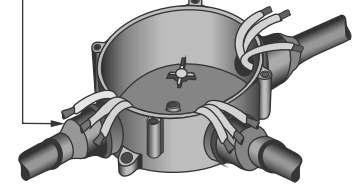
INFORMATION NOTE:
Entry can be converted for use with unarmoured cable by fitting a Compression Conversion kit or Convert to smaller cable by using a Reducing Gland.

3 SUGGESTED CONNECTING METHODS (See Method 1 and Method 2 below)

Box Size	NUMBER OF KWIKBLOKS PER ALUMINIUM ALLOY BOX							
	IK 3 750/800V 27 A		IK 5 750/800V 36 A		IK 10 750/800V 67 A		IK 16 750/800V 87 A	
	Max	Prac	Max	Prac	Max	Prac	Max	Prac
0	9	8	7	5	—	—	—	—
1	11	10	9	8	7	6	—	—
2	17	16	14	14	10	8	8	8

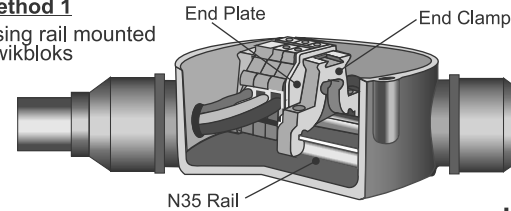
Max:= Number of Kwikbloks that can be fitted.
Prac:= Practical number of Kwikbloks to be fitted

Fit cables by pushing in cable well and tighten Compression Nut.
Fit shrouds by rolling them the right way around.
Bend 'tails' back out of the way.



Method 1

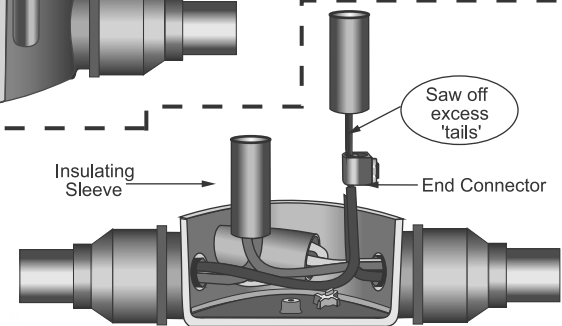
Using rail mounted Kwikbloks



Method 2

Using End Connectors

END CONNECTOR	
Connector Size	Capacity Core Size
Dinky	2 x 16 mm ²
Small	2 x 25 mm ²



NOTE!
• Not to be buried underground.

CONGRATULATIONS!
You now have a safe IP68 Junction.

ACCESSORIES

REDUCING GLANDS & SHROUDS FOR USE WITH SMALLER CABLE

Remove all original gland parts from Box entry

Fit Reducing Gland and Shroud, after which the smaller armoured cable can be fitted in the normal way. (See selection chart for gland size)

COMPRESSION CONVERSION KIT FOR USE WITH UNARMOURED CABLE

Discard

All "S" kit sizes have
1 Bush
1 Retaining washer and
1 Tapered washer
"L" kits have no retaining washer.

BLANKING PLUGS

Brass Tufflon

COMPRESSION CONVERSION KIT FOR INSTRUMENTATION CABLE

CONDUIT REDUCER

Remove all original gland parts and screw in Conduit Adaptor

ALUMINIUM ALLOY CUT OUT MOUNTING LID FOR № 2 BOX

POLYCARBONATE LID REPLACEMENT GASKET