

Outdoor motion detectors - LC-Click

LC-Click 200



white mat, similar to RAL9010 , Art.-Nr.: 91102 black mat, similar to RAL9005 , Art.-Nr.: 91122

Product Information

- Motion detector with detection area of 200°
- Adjustable ball head
- Simple mounting thanks to plug base
- Detection area can be restricted with blinds

Technical Data

Voltage:	110 - 240 V AC 50 / 60 Hz
Dimensions:	103 x 78 x 80 mm
Power consumption:	approx. 0,4 W
Detection area:	horizontal 200° (Wall mounting)
Range:	max. 12 m across max. 4 m towards
Monitored area (tangential movement):	250 m ² / 2,5 m mounting height
Mounting height min./max./recommended:	2 m / 3 m / 2,5 m
Degree / class of protection:	IP44 / Class II
Ambient temperature:	-25 °C to +50 °C

Housing: polycarbonate, UV-resistant

Channel 1 (lighting control)

Switching power: 1000 W, $\cos \varphi = 1$
500 VA, $\cos \varphi = 0,5$
200 W LED

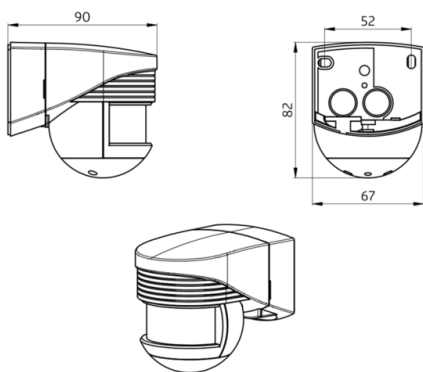
Type of contact: 1x μ -contact, NO contact

Follow-up time: 4 sec - 20 min

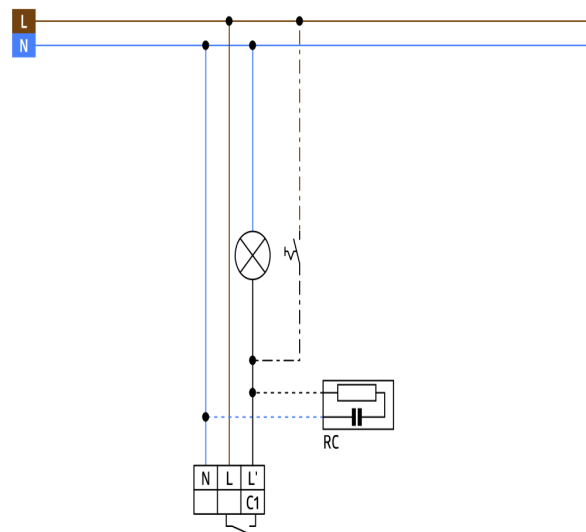
Switch-on threshold: 10 - 300 Lux

Description

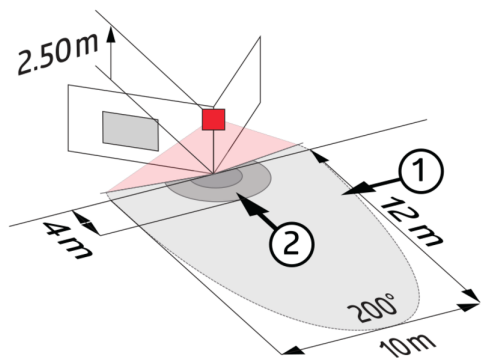
Description	Colour	Part number	EAN number
LC-Click 200	white mat, similar to RAL9010	91102	4007529911028
LC-Click 200	black mat, similar to RAL9005	91122	4007529911226



Dimensions 91102



Wiring diagrams



Range diagram

- 1: Walking across
- 2: Walking towards

© 2022 B.E.G. Brück Electronic GmbH