

**PECM1SS**  
**Semi-automatic built in**  
**espresso**  
**coffee machine**

**Instruction manual**



# User Manual for your Baumatic

## PECM1SS

Semi-automatic built-in espresso coffee machine



  
**Baumatic®**  
*You will be mine ...*

***NOTE: This User Instruction Manual contains important information, including safety & installation points, which will enable you to get the most out of your appliance. Please keep it in a safe place so that it is easily available for future reference; for you or any person not familiar with the operation of the appliance.***


DD 01/02/08

# Contents

<b>Environmental note</b>	4
<b>IMPORTANT SAFETY INFORMATION</b>	5 – 6
<b>Specifications</b>	7 - 10
Product and aperture dimensions	7
Product specifications	7
Standard accessories	7
Technical specifications	8
Description of the coffee machine	8 - 10
Standard accessories	8
Control panel	10
<b>Using your coffee machine</b>	11 - 23
Filling the reservoir (manually)	11
Filling the reservoir (automatically)	12 – 13
Before first use	13
Dispensing hot water	14
Dispensing steam	15
Dispensing boiling water	16
Refilling the water reservoir manually	17
Refilling the water reservoir automatically	17
<b>Making drinks</b>	18 - 23
Connecting a filter holder	18
Using coffee pods	18 – 19
Using ground coffee	19 – 20
Tips on making an espresso	21
Tips on making a cappuccino	21 - 22
Tips on making loose leaf tea	22 - 23
Tips on making tea using boiling water	23
<b>Cleaning and maintenance</b>	24 – 25
<b>Installation</b>	26 - 31
Electrical connection	26
Installing the coffee machine into the kitchen cabinet	27 – 29
Connecting the coffee machine to the mains water supply	30
<b>Troubleshooting</b>	31
<b>Contact details</b>	32

## Environmental note

**This appliance is marked according to the European directive 2002/96/EC on Waste electrical and Electronic Equipment (WEEE). By ensuring this product is disposed of correctly, you will help prevent potential negative consequences for the environment and human health, which could otherwise be caused by inappropriate waste handling of this product.**

The symbol  on the product, or on the documents accompanying the product, indicates that this appliance may not be treated as household waste. Instead it shall be handed over to the applicable collection point for the recycling of electrical and electronic equipment.

**Disposal must be carried out in accordance with local environmental regulations for waste disposal.**

**For more detailed information about treatment, recovery and recycling of this product, please contact your local city office, your household waste disposal service or the shop where you purchased the product.**



- The packaging materials that Baumatic uses are environmentally friendly and can be recycled.
- Please discard all packaging material with due regard for the environment.

## IMPORTANT SAFETY INFORMATION



Your safety is of the utmost importance to Baumatic. Please make sure that you read this instruction booklet **before** attempting to install or use the appliance. If you are unsure of any of the information contained in this booklet, please contact the Baumatic Technical Department.

### General Information

- This appliance is designed for domestic household use. It can **ONLY** be built into a standard kitchen cabinet or housing unit, it should **NOT** be used as a freestanding appliance.
- The use of this appliance for any other purpose or in any other environment without the express agreement of Baumatic Ltd. will invalidate any warranty or liability claim.
- Your new appliance is guaranteed against electrical or mechanical defects, subject to certain exclusions that are noted in Baumatic's Conditions Of Guarantee. The foregoing does not affect your statutory rights.
- **Repairs may only be carried out by Baumatic Service Engineers or their authorised service agent.**

### Warning and safety instructions

- This appliance complies with all current European safety legislation. **Baumatic do wish to emphasise that this compliance does not remove the fact that the appliance surfaces will become extremely hot during use and retain heat after operation.**
- **Extreme care MUST be taken when removing any of the filters or nozzles. They should be allowed to cool before they are removed from the appliance.**

### Child Safety

- Baumatic strongly recommend that babies and young children are prevented from being near to the appliance and not allowed to touch the appliance **at any time.**
- If it is necessary for younger family members to be in the kitchen, please ensure that they are kept under close supervision at all times.

## General Safety

- **Do not** leave the coffee maker unattended.
- **Do not** allow electrical fittings or cables to come into contact with areas on the appliance that get hot.
- **Do not** install the appliance next to curtains or soft furnishings.

## Cleaning

- Cleaning of the coffee machine should be carried out on a regular basis.
- Great care should be taken whilst using this appliance and when following the cleaning procedure.
- **IMPORTANT:** The appliance must be disconnected from the mains before following the cleaning procedure.

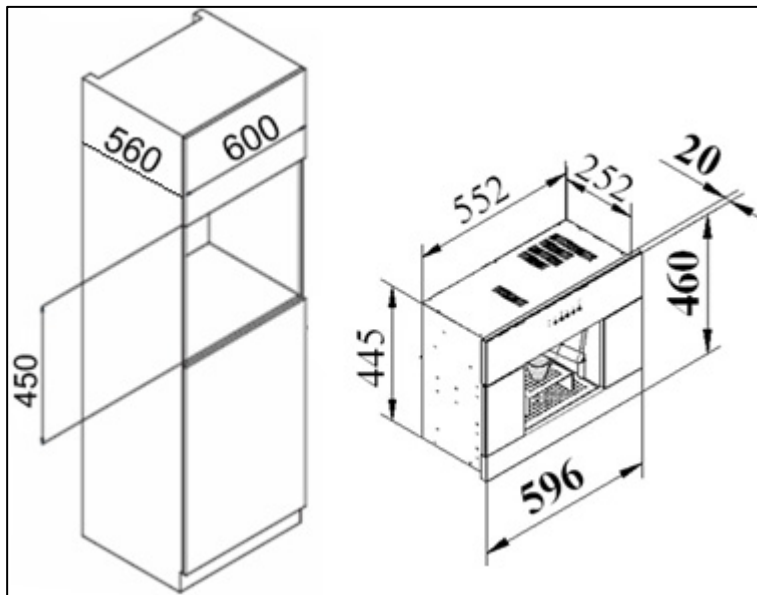
## Installation



**This appliance must be correctly installed by a suitably qualified person, strictly in accordance with the manufacturer's instructions.**

- **Baumatic Ltd. declines any responsibility for injury or damage, to person or property, as a result of improper use or installation of this appliance.**
- The manufacturer declares that the coffee maker is built using certified materials and requires the appliance to be installed in accordance with the standards currently in force. This appliance must be used by a trained person for domestic purposes only.

## Specifications



### Product Dimensions

Height: 460 mm  
Width: 596 mm  
Depth: 272 mm

### Aperture Dimensions

Height: 450 mm  
Width: 600 mm  
Depth: (min) 560 mm

### Product specifications

- Touch control operation
- Mark resistant coating
- Choice of 1 or 2 cup filters
- Suitable for sealed coffee pods or ground coffee
- Steam spout for cappuccino, hot chocolate, tea and instant coffee
- Pull-out drawer with a compartment for cups & saucers and a dish for coffee waste
- Separate boiler and single pump for coffee making & cappuccino/steam
- Can be plumbed in or filled manually
- Removable water tank (capacity 1.8 litres)
- Empty water tank warning light
- LED high density illumination light

### Standard accessories

- Filter holder
- 1 x one espresso cup filter
- 1 x two espresso cup filter
- 2 x espresso cups with saucers
- Water softener

## Technical specifications

- Coffee pump pressure 15 bar
- Total output 1860 W
- Coffee boiler output 1000 W
- Steam boiler output 800 W
- Power supply 230 Vac 50 Hz
- Supply connection 13 A (double pole switched fused outlet with 3 mm contact gap)
- Mains supply lead 3 x 1.5mm<sup>2</sup>

For future reference please record the following information which can be found on the Rating Plate and the date of purchase which can be found on your sales invoice. The rating plate for your coffee machine can be located by opening the pull out drawer at the bottom of the coffee maker.

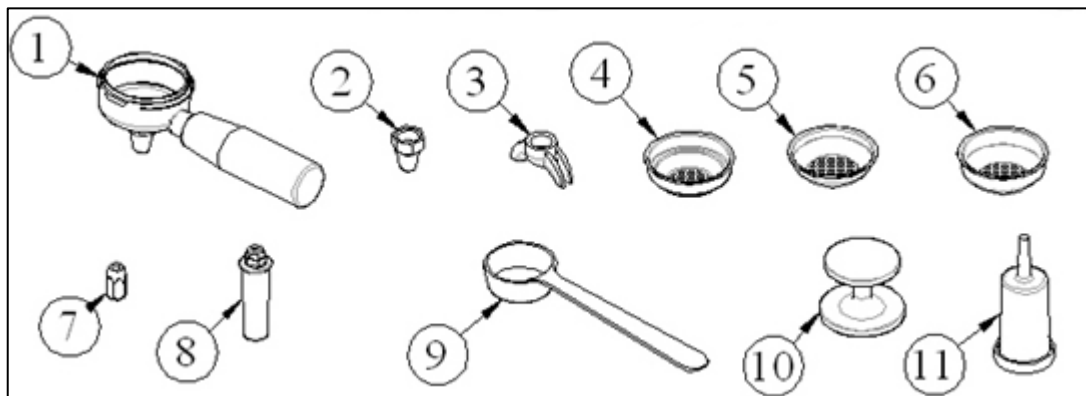
**Model Number** .....

**Serial Number** .....

**Date of Purchase** .....

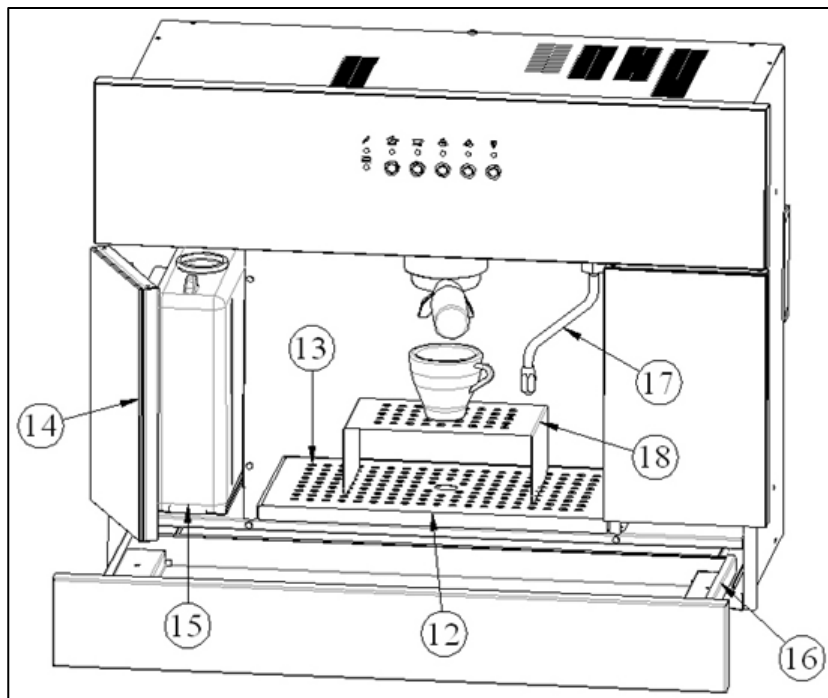
### Description of the coffee machine

### Standard accessories

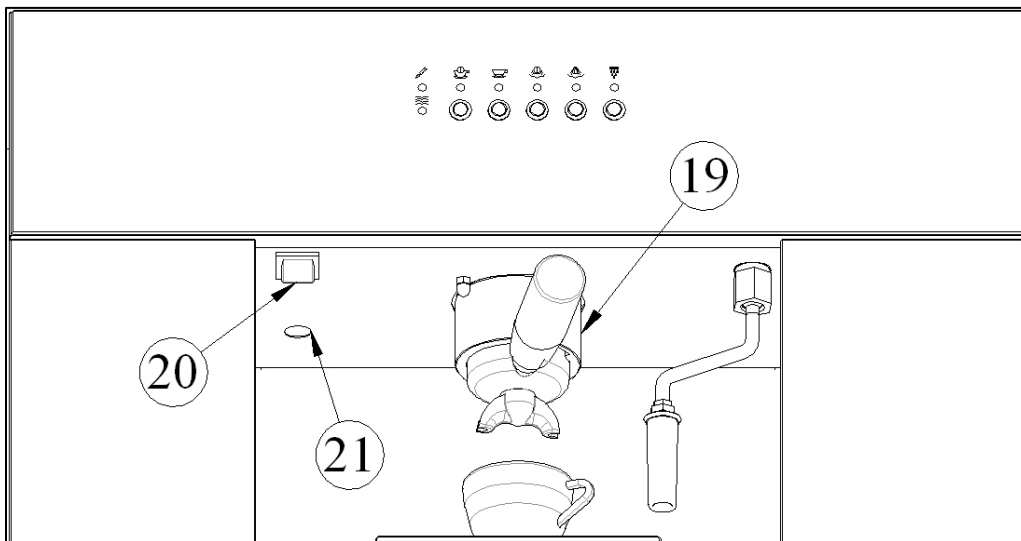


- 1) Filter holder
- 2) Spout for 1 measure of coffee
- 3) Spout for 2 measures of coffee
- 4) Filter for 1 Italian coffee pod
- 5) Filter for 1 measure of ground coffee or 1 French coffee pod
- 6) Filter for 2 measures of ground coffee
- 7) Spout for hot water
- 8) Froth making spout
- 9) Ground coffee measuring device
- 10) Coffee pressing tool
- 11) Water softener



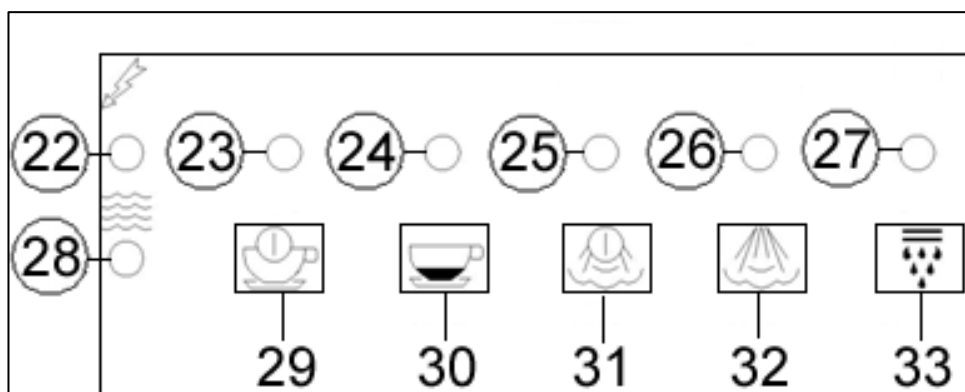


- |                          |                              |
|--------------------------|------------------------------|
| 12) Drip tray            | 16) Drawer                   |
| 13) Drip tray grid       | 17) Hot water and steam pipe |
| 14) Water reservoir door | 18) Espresso cup stand       |
| 15) Water reservoir      |                              |



- |                            |
|----------------------------|
| 19) Filter holder ring nut |
| 20) ON/OFF switch          |
| 21) Operating light        |

## Control panel



- 22) ON/OFF neon
- 23) Water boiler neon
- 24) Hot water dispensing neon
- 25) Steam boiler neon
- 26) Steam dispensing neon
- 27) Hot water dispensing neon
- 28) Water reservoir empty neon
- 29) Water boiler ON/OFF button
- 30) Hot water dispensing button
- 31) Steam boiler ON/OFF button
- 32) Steam dispensing button
- 33) Boiling water dispensing button



## Using your coffee machine

### Filling the reservoir (manually)



**IMPORTANT:** If your coffee machine is not connected to your mains water supply, then you will need to fill the water reservoir manually before using your appliance.

- Open the water reservoir door (**14**) and remove the water reservoir (**15**) from the coffee maker.
- Fill the water reservoir with cold water from a tap; you should fill it with water until it is two thirds full.



- Connect the water softener (**11**) to the longest tube that hangs down inside the water reservoir compartment.
- Put the water reservoir back into the cabinet and immerse the water softener in water, the other tubes must also be placed inside the reservoir. Make sure that the water reservoir is pushed back fully into the water reservoir cabinet.
- **IMPORTANT:** Leave the water filter immersed in water for 5 minutes, before switching on the appliance and attempting to make a drink. You only need to do this before using the machine for the first time or if you have changed the water filter.

## Filling the reservoir (automatically)



**IMPORTANT:** Make sure that your appliance has been connected to your mains water supply (see "Connecting the coffee machine to the mains water supply" section on pages 30 - 31 of this booklet).

- Open the water reservoir door **(14)** and remove the water reservoir **(15)** from the coffee maker.



- Connect the water softener **(11)** to the longest tube that hangs down inside the water reservoir compartment.
- Put the water reservoir back into the cabinet and immerse the water softener in water, the other tubes must also be placed inside the reservoir. Make sure that the water reservoir is pushed back fully into the water reservoir cabinet.
- **IMPORTANT:** Leave the water softener immersed in water for 5 minutes before attempting to make a drink. You only need to do this the before using the machine for the first time or if you have changed the water filter.
- Switch the appliance on using the ON/OFF switch **(20)**; the ON/OFF neon **(22)** will light.
- The appliance will check to see if the water reservoir has enough water in it. If there is not enough water, the water reservoir empty neon **(28)** will flash.

- After a few seconds the water reservoir will start to fill with water.
- The reservoir will fill for approximately 40 seconds, during this time the water reservoir empty neon **(28)** will continue to flash.
- After this time period, if the water reservoir is not sufficiently full of water, the water reservoir empty neon **(28)** will remain on. You should switch the machine off using the ON/OFF switch **(20)**. Then switch the machine back on to commence a further fill of the water reservoir.
- When the water reservoir has filled sufficiently, the water reservoir empty neon **(28)** will go out.
- You should not touch any other button on the coffee machine until the water reservoir has finished filling.

### Before first use



**IMPORTANT: YOU MUST FOLLOW THE STEPS BELOW BEFORE HEATING THE WATER BOILER FOR THE FIRST TIME.**

- Install the appliance as per the installation instructions contained within this booklet.
- Place a jug below the steam pipe **(17)**.
- Switch on the appliance using the ON/OFF switch **(20)**.
- Push the boiling water dispensing button **(33)**.
- Wait until a continual stream of water is flowing from the steam pipe **(17)**.
- Press the boiling water dispensing button **(33)** again to stop the flow of water from the steam pipe.

## Dispensing hot water

- Fill the water reservoir if your appliance is not connected to your mains water supply.
- Switch the machine on using the ON/OFF switch **(20)**.
- Let the water reservoir fill with water automatically if it is connected to your mains water supply.
- Once the machine has stopped filling and the water reservoir empty neon **(28)** has gone out, press the water boiler ON/OFF button **(29)**. The water boiler neon **(23)** will flash to indicate that the water boiler is heating up.
- The machine is ready to dispense hot water when the water boiler neon **(23)** stops flashing and remains lit.
- Place a cup underneath the filter holder ring nut **(19)** and then press the hot water dispensing button **(30)**.
- To stop hot water from dispensing, press the hot water dispensing button **(30)** again.



It is perfectly normal for there to be a noise and a small amount of water backfilling into the drip tray, after water has been dispensed.

## Dispensing steam

- Connect the froth making spout **(8)** to the steam pipe **(17)** and place the end of it into a cup. The froth making spout comes in two parts, the spout itself and a plastic cover; both parts should be connected to the steam pipe.
- Fill the water reservoir if your appliance is not connected to your mains water supply.
- Switch the machine on using the ON/OFF switch **(20)**.
- Let the water reservoir fill with water automatically if it is connected to your mains water supply.
- Once the machine has stopped filling and the water reservoir empty neon **(28)** has gone out, press the water boiler ON/OFF button **(29)**. The water boiler neon **(23)** will flash to indicate that the water boiler is heating up.
- The machine is ready to use when the water boiler neon **(23)** stops flashing and remains lit.
- Press the steam boiler ON/OFF button **(31)**.
- The steam boiler neon **(25)** will start to flash to indicate that the steam boiler is heating up.
- Whilst the steam boiler is heating up, you may get a small amount of water dripping from the steam pipe **(17)**.
- The machine is ready to dispense steam when the steam boiler neon **(25)** and the water boiler neon **(25)** both remain lit.
- To dispense steam, press the steam dispensing button **(32)**.
- To stop steam from dispensing, press the steam dispensing button **(32)** again.



It is perfectly normal for there to be a noise and a small amount of water backfilling into the drip tray, after steam has been dispensed.

## Dispensing boiling water

- Connect the spout for hot water **(7)** to the steam pipe **(17)** and place the end of it into a cup.
- Fill the water reservoir if your appliance is not connected to your mains water supply.
- Switch the machine on using the ON/OFF switch **(20)**.
- Let the water reservoir fill with water automatically if it is connected to your mains water supply.
- Once the machine has stopped filling and the water reservoir empty neon **(28)** has gone out, press the water boiler ON/OFF button **(29)**. The water boiler neon **(23)** will flash to indicate that the water boiler is heating up.
- The machine is ready to use when the water boiler neon **(23)** stops flashing and remains lit.
- Press the steam boiler ON/OFF button **(31)**.
- The steam boiler neon **(25)** will start to flash to indicate that the steam boiler is heating up.
- Whilst the steam boiler is heating up, you may get a small amount of water dripping from the steam pipe **(17)**.
- The machine is ready to dispense boiling water when the steam boiler neon **(25)** and the water boiler neon **(23)** both remain lit.
- To dispense boiling water, press the hot water dispensing button **(33)**.
- To stop boiling water from dispensing, press the hot water dispensing button **(33)** again.



It is perfectly normal for there to be a noise and a small amount of water backfilling into the drip tray, after water has been dispensed.



## Refilling the water reservoir manually

**IMPORTANT:** You do not need to follow this process if your appliance is connected to your mains water supply.

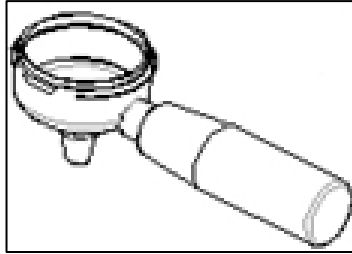
- If whilst making drinks, the water reservoir runs low on water, the water reservoir empty neon **(28)** will flash. The coffee machine will stop any drinks making operation it is currently undertaking.
- You should turn the appliance off using the ON/OFF switch **(20)**.
- Then follow the process described on page 11 "Filling the reservoir (manually)".
- Switch the machine back on using the ON/OFF switch **(20)**.
- You must then follow the drink making process that you were following when the machine ran out of water from the beginning; i.e. you will need to heat the water boiler and steam boiler (if required).

## Refilling the water reservoir automatically

- If whilst making drinks, the water reservoir runs low on water, the water reservoir empty neon **(28)** will flash. The coffee machine will stop making any drinks that are in progress.
- After a few seconds the water reservoir will start to fill with water.
- When the water reservoir has filled sufficiently, the water reservoir empty neon **(28)** will go out.
- You should not touch any other button on the coffee machine until the water reservoir has finished filling.
- You must then follow the drink making process that you were following when the machine ran out of water from the beginning; i.e. you will need to heat the water boiler and steam boiler (if required).

## Making drinks

### Connecting a filter holder



- Lift the filter holder **(1)** towards the filter holder ring nut **(19)**; making sure that it is in the position shown in the drawing above.
- Continue lifting the holder until it locates inside of the ring nut.
- Turn the handle of the holder to the right, turning it fully so that the holder is securely fixed into the ring nut.
- When you have finished using the holder, turn the handle to the left and then remove it from the filter holder ring nut **(19)**.

### Using coffee pods

- Coffee pods are an easy, practical and hygienic way to make coffee. The packaging used in coffee pods, means that excess coffee cannot spill out and they can be easily removed after use.
- **IMPORTANT: If you are using Italian coffee pods, then the filter for 1 Italian coffee pod (4) must be used. If you are using French coffee pods, then the filter for 1 French coffee pod (5) must be used.**
- **Ensure that the coffee pods are used prior to the sell by date as this will affect the performance of the coffee machine.**
- Screw the spout for 1 measure of coffee **(2)** onto the filter holder **(1)**.
- Insert the appropriate coffee pod filter **(4)** or **(5)** into the filter holder **(1)**.
- Place one coffee pod into the filter holder **(1)** and place it into the filter holder ring nut **(19)**.
- Place a suitably sized cup under the filter holder ring nut **(19)**.

- Switch the appliance on using the ON/OFF switch **(20)**, the ON/OFF neon **(22)** will light.
- Follow either the manual or automatic reservoir filling process.
- Once the machine has stopped filling and the water reservoir empty neon **(28)** has gone out, press the water boiler ON/OFF button **(29)**. The water boiler neon **(23)** will flash to indicate that the water boiler is heating up.
- The machine is ready to dispense hot water when the water boiler neon **(23)** stops flashing and remains lit.
- To start coffee dispensing, press the hot water dispensing button **(30)**.
- To stop coffee from dispensing, press the hot water dispensing button **(30)** again.
- Switch the appliance off using the ON/OFF switch **(20)**.
- Release the filter holder **(1)** from the filter holder ring nut **(19)**.
- When the pod has cooled sufficiently, remove it from the filter holder **(1)**.
- Wipe over the filter holder **(1)**, the spout for 1 measure of coffee **(2)** and the coffee pod filter that you have used (either **(4)** or **(5)**) with a damp cloth to keep them in pristine condition.

### **Using ground coffee**

- Screw the spout for 1 measure of coffee **(2)** onto the filter holder **(1)**.
- Insert the filter for one measure of ground coffee **(5)** into the filter holder **(1)**.
- Using the ground coffee measuring device **(9)** put one scoop of ground coffee into the filter holder **(1)**
- Use the pressing tool **(10)** to pack down the ground coffee in the filter holder and then connect it to the filter holder ring nut **(19)**.
- Place a suitably sized cup under the filter holder ring nut **(1)**.
- Switch the appliance on using the ON/OFF switch **(20)**, the ON/OFF neon **(22)** will light.

- Follow either the manual or automatic reservoir filling process.
- Once the machine has stopped filling and the water reservoir empty neon **(28)** has gone out, press the water boiler ON/OFF button **(29)**. The water boiler neon **(23)** will flash to indicate that the water boiler is heating up.
- The machine is ready to dispense hot water when the water boiler neon **(23)** stops flashing and remains lit.
- To start coffee dispensing, press the hot water dispensing button **(30)**.
- To stop coffee from dispensing, press the hot water dispensing button **(30)** again.
- Switch the appliance off using the ON/OFF switch **(20)**.
- Release the filter holder **(1)** from the filter holder ring nut **(19)**.
- When sufficiently cooled, wipe over the filter holder **(1)**, the spout for 1 measure of coffee **(2)** and the filter for one measure of ground coffee **(5)** with a damp cloth to keep them in pristine condition.
- If you want to make two cups of ground coffee simultaneously, then you should use the spout for 2 measures of coffee **(3)** and the filter for 2 measures of ground coffee **(6)**. You should also use the ground coffee measuring device **(9)** to put two scoops of ground coffee into the filter holder **(1)**.

## Tips on making an espresso

*An espresso is a strong black coffee that is made by forcing under pressure hot water, through finely ground coffee beans.*

- Approximately 7 grams of coffee are required for an espresso. After filling the filter holder with coffee, use the coffee pressing tool **(10)** to tap down the coffee in the filter holder.
- If you are using a small cup especially designed for espressos, then you should utilise the espresso cup stand **(18)** to raise the cup closer to the filter holder **(1)**.
- Once the water boiler is ready to dispense, run a small amount of water through the machine to warm it up.
- You should dispense this hot water into your cup, to make sure that the cup is warm too.
- Wipe away any excess coffee from the rim of the filter holder before connecting it to the filter holder ring nut.

## Tips on making a cappuccino

*An espresso topped with steamed milk or cream.*

After making a cup of espresso, you should follow the instructions below:-

- Connect the froth making spout **(8)** to the steam pipe **(17)**.
- Immerse the froth making spout into a container of milk. **IMPORTANT:** It is advisable to use a tall metal jug with a handle.
- Follow the “Dispensing steam” process on pages 15.
- When steam starts to come out of the pipe, move the container of milk up and down slightly. You should do this until the milk is heated and makes the froth for the cappuccino.
- Every time the steam pipe is used, steam should be dispensed through it several times afterwards.
- Turn off the machine using the ON/OFF button **(12)**.
- You can also use the steam pipe to heat up other beverages, such as water, punch and hot chocolate etc.



**A CLEANING PROCEDURE MUST BE CARRIED OUT EVERY TIME THE STEAM PIPE IS USED. SEE PAGE 24 - 25 FOR FURTHER DETAILS.**

### **Tips on making loose leaf tea**

- Screw the spout for 1 measure of coffee **(2)** onto the filter holder **(1)**.
- Insert the filter for one measure of ground coffee **(5)** into the filter holder **(1)**.
- Using the ground coffee measuring device **(9)** put one scoop of loose leaf into the filter holder **(1)**
- Use the pressing tool **(10)** to pack down the tea leaves in the filter holder and then connect it to the filter holder ring nut **(19)**.
- Place a suitably sized cup under the filter holder ring nut **(1)**.
- Switch the appliance on using the ON/OFF switch **(20)**, the ON/OFF neon **(22)** will light.
- Follow either the manual or automatic reservoir filling process.
- Once the machine has stopped filling and the water reservoir empty neon **(28)** has gone out, press the water boiler ON/OFF button **(29)**. The water boiler neon **(23)** will flash to indicate that the water boiler is heating up.
- The machine is ready to dispense hot water when the water boiler neon **(23)** stops flashing and remains lit.
- To start tea dispensing, press the hot water dispensing button **(30)**.
- To stop tea from dispensing, press the hot water dispensing button **(30)** again.
- Switch the appliance off using the ON/OFF switch **(20)**.
- Release the filter holder **(1)** from the filter holder ring nut **(19)**.
- Wipe over the filter holder **(1)**, the spout for 1 measure of coffee **(2)** and the filter for one measure of ground coffee **(5)** with a damp cloth to keep them in pristine condition.

- If you want to make two cups of loose leaf tea simultaneously, then you should use the spout for 2 measures of coffee **(3)** and the filter for 2 measures of ground coffee **(6)**. You should also use the ground coffee measuring device **(9)** to put two scoops of loose leaf tea into the filter holder **(1)**.

### **Tips on making tea using boiling water**

- Connect the spout for hot water **(7)** to the steam pipe **(17)** and place the end of it into a cup with a tea bag placed in it.
- Follow the "Dispensing boiling water" process on pages 15 - 16.
- Leave the tea bag in the water until it reaches your desired strength.
- Turn off the machine using the ON/OFF switch **(20)**
- Make sure that the spout for hot water **(7)** is cleaned thoroughly after use.

## Cleaning and maintenance



**Cleaning operations must only be carried out when the coffee maker is cool.**

**The appliance should be disconnected from your mains supply before commencing any cleaning process.**

### **Stainless steel sections**

- The stainless steel sections should be cleaned using warm soapy water. Dry the appliance afterwards thoroughly with a soft cloth.
- No abrasive detergents or cleaners should be used.
- No abrasive sponges or steel wool should be used on any area of the appliance.

### **Steam pipe**

- You should flush the steam pipe through with steam after each use.
- If you have used the froth maker, then you should remove it from the steam pipe and wipe it over using a clean sponge or cloth.
- When milk cools, it creates impurities which may block the steam discharge hole and cause the appliance to function poorly.

### **Water reservoir**

- If you are not going to use the appliance for a long period of time, you should drain the boiler by following the "Dispensing hot water" section on page 14.
- Press the hot water dispensing button **(30)** until the reservoir is empty.
- If your appliance is connected to your mains water supply, you should turn the machine off before it starts to refill the reservoir.
- Clean the water reservoir regularly using warm soapy water. Make sure that the water reservoir is rinsed thoroughly before being placed back in the machine.



## **The drip tray**

- Pull forward the drip tray and then lift up the stainless steel cover.
- Wash the drip tray and cover in warm soapy water, using a cloth.
- Rinse the drip tray and cover in cold water and then dry them thoroughly.

## **Water boiler**

- It is possible for limescale to form in the water boiler; therefore you should carry out the following process at least every six months.
- Manually fill the water reservoir with 2 litres of water, adding citric acid or half a glass of vinegar.
- Follow the "Dispensing hot water" section on page 14, without filling the filter holder **(1)** with a coffee pod or ground coffee.
- When the water reservoir is empty, fill the reservoir with cold water (either manually or automatically) and then dispense water until the reservoir is empty again.
- You should do this twice to make sure that there is no trace of the citric acid or vinegar left in the water reservoir.

## **Water softener**

- The water softener will need to be changed periodically, if you start to see white granules appearing in the softener, then you should replace it with a new one immediately.
- Only a Baumatic coffee machine water softener should be fitted, you can purchase one from the Baumatic Spares Department.
- When a new water softener is fitted, you should follow the "Filling the water reservoir" section on page 11 to 13.

## INSTALLATION



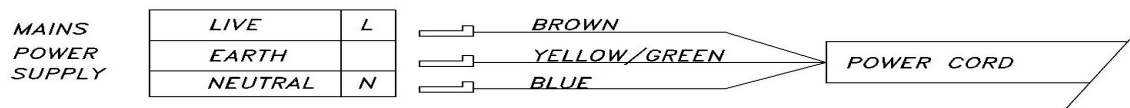
**The installation must be carried out by a suitably qualified person, in accordance with the current version of the following.**

- UK Regulations and Safety Standards or their European Norm Replacements.
- **Building Regulations** (issued by the Department of the Environment).
- **Building Standards** (issued by the Scottish Development Department).
- **IEE Wiring Regulations.**
- **Electricity At Work Regulations.**

Before connecting the appliance, make sure that the supply voltage marked on the Rating Plate corresponds with your mains supply voltage.

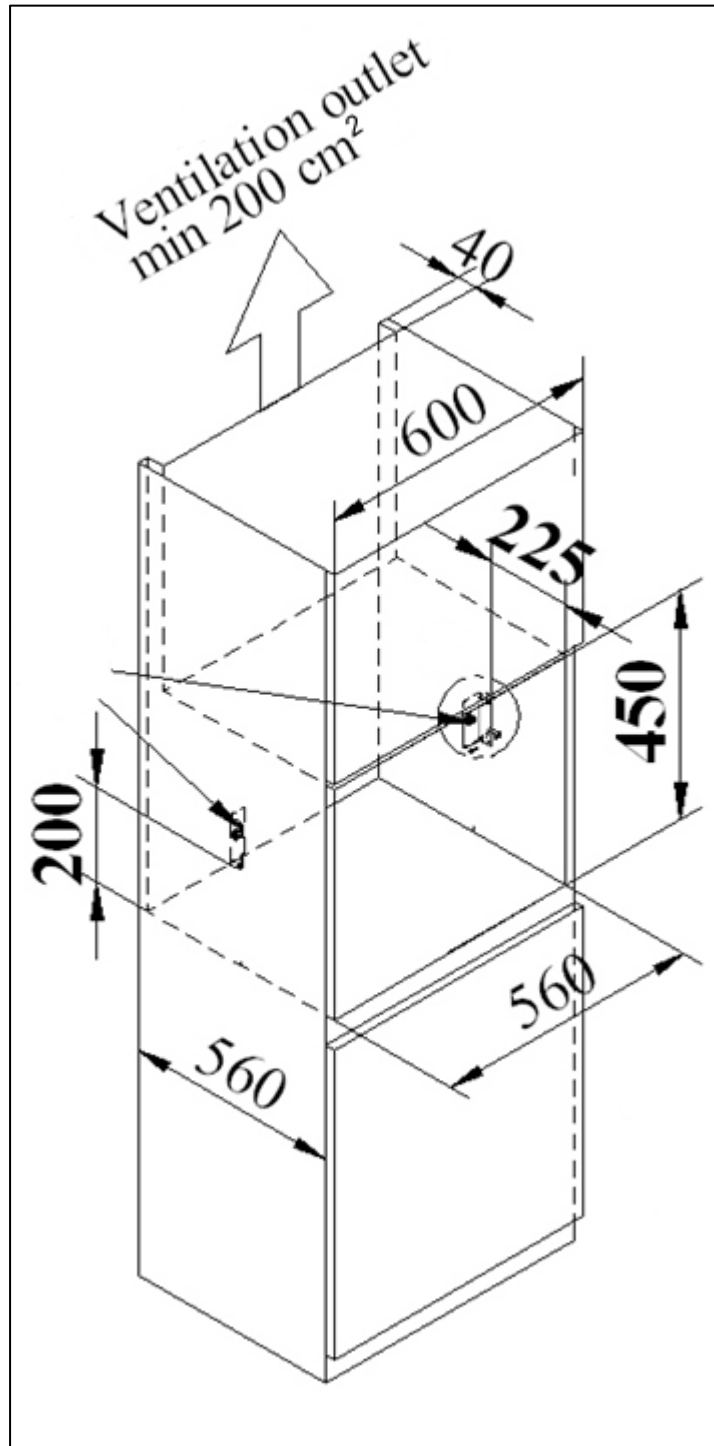
### **WARNING: THIS APPLIANCE MUST BE EARTHED.**

- This appliance should be wired into a 13 A double pole switched fused spur outlet, having 3 mm contact separation and placed in an easily accessible position adjacent to the appliance. The spur outlet must still be accessible even when your coffee machine is located in its housing.



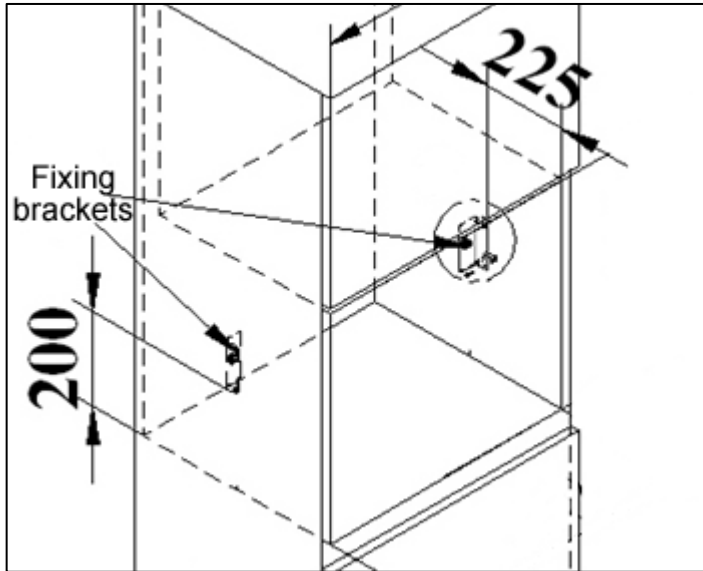
- If you have to change the coffee machine power cord, the earthing (yellow/green) conductor must always be 10 mm longer than the line conductors.
- Care must be taken to ensure that the temperature of the mains supply cable does not exceed 50°C.
- If the mains supply cable is damaged, then it must be replaced with a suitable cable.

## Installing the coffee machine into the kitchen cabinet

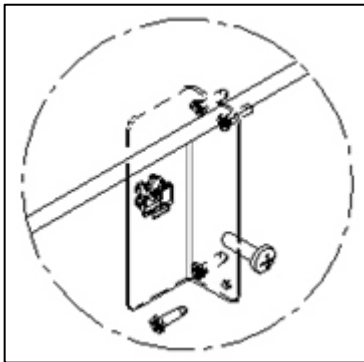


- Ensure that the aperture that you will be fitting the coffee machine into is of the size given in the diagram above.
- Ensure that the rear panel of the furniture housing unit has been removed and that the ventilation cut out shown is adhered to.

- You must ensure that there is a hole to feed the electrical cable through. If you are going to connect the appliance to your mains water supply, then you must ensure that there is a hole to feed the inlet hose through too. These steps must be done before commencing the rest of the installation process.



1. Measure a height of 200 mm from the base of the housing unit. Then at that height, measure out a distance of 225 mm from the front of it and mark it. You should make the same measurement and marking on both sides of the housing unit.



2. On the marks that you have just made, use the screws provided to fix a support piece to either side of the housing unit.



3. Use a spirit level to make sure that the support pieces are vertically level.

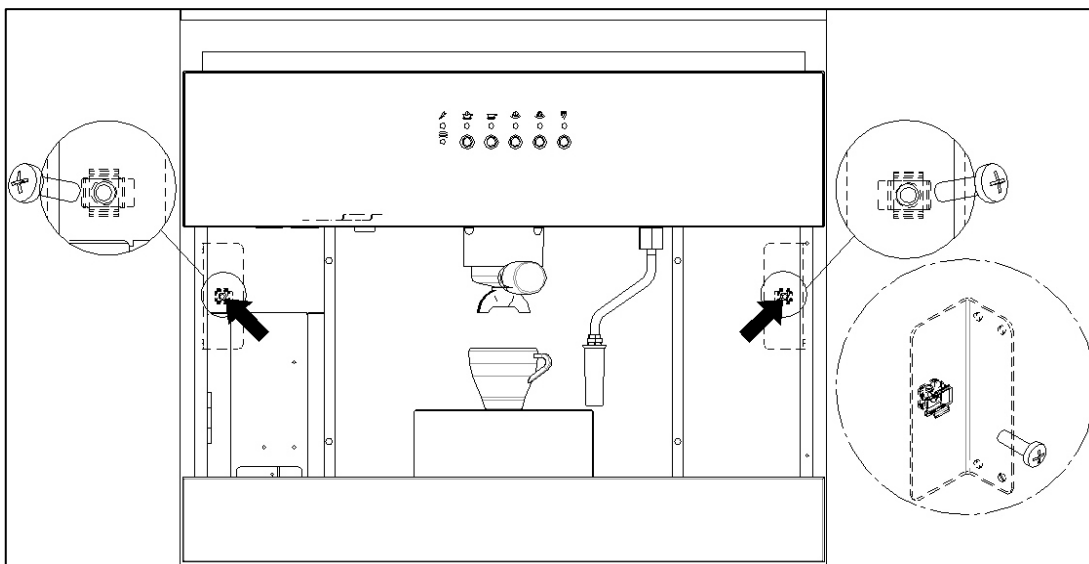


**IMPORTANT:** You must complete the water connection at this stage, if you are going to connect the appliance to your mains water supply.

**Do not proceed with the rest of the installation steps listed below, until you have completed the “Connecting the coffee machine to the mains water supply” section on the next page.**

You should also feed the electrical cable through the hole that you have made for it in the housing unit. You should **NOT** connect the cable to the spur outlet at this stage.

4. Place the coffee machine inside of the housing unit.
5. Sit the coffee machine in the housing unit. You must make sure that the coffee machine is flush with the housing unit, otherwise it will not line up properly with the support pieces.

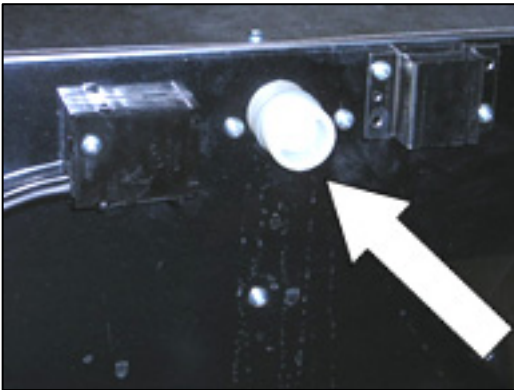


6. There are two screw holes on the main body of the coffee maker, one on the right hand side of the machine and the other on the left hand side. You have to open the water reservoir door (**14**) and remove the water reservoir (**15**) to access the left hand one.
7. Fix the coffee machine against the housing unit by fully tightening the screws provided, through the screw holes on the above drawing.
8. Follow the electrical connection information on page 26 and then check that the appliance is functioning correctly.

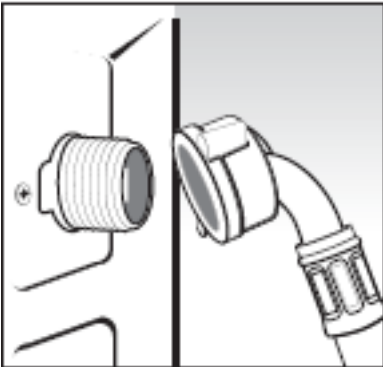
**IMPORTANT:** You must follow the “Before first use” section on page 13.

## Connecting the coffee machine to the mains water supply

Your coffee machine can be permanently connected to your mains water supply. **IMPORTANT:** Your coffee machine will not come supplied with an inlet hose; you should purchase an inlet hose that is suitable for providing water that is going to be drunk.

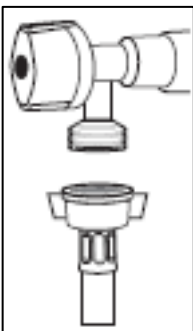


1. Identify the inlet hose connection at the rear of the coffee machine. The position of the connection is indicated by the arrow in the picture opposite.



2. Connect the inlet hose to the inlet hose connection at the rear of the appliance. You should make sure this is securely tightened.

3. You must make sure that you depress the water filling switch to activate the water filling mechanism. The switch is to the right of the water inlet connection. The section of the switch with I on it, should be pressed down.
4. When you are lifting the coffee machine into the housing, you should feed the inlet hose through a hole that you have made in the housing cabinet.



5. Connect the other end of the inlet hose to your mains water supply. It must be connected to a tap than dispensed drinkable water. Tighten the inlet hose to your mains supply fully, but do not over tighten as this may distort the filter that sits in the end of the inlet hose.

6. Switch on the water tap and test for any leaks.



### **My coffee machine will not work at all.**

- Check your mains supply and the electrical connection.



### **My coffee machine will not dispense water.**

- Check that the water reservoir is filled with water.
- If your appliance is connected to your mains water supply then check:-
  - That the water filling switch is pressed to the on position and your mains water tap is fully open.
  - That the water inlet hose is not kinked or blocked.
  - That the water softener and other tube is immersed in the water reservoir.



**IMPORTANT: If your appliance appears not to be operating correctly, then you should disconnect it from your mains supply and then contact the Baumatic Service Department on telephone number (0118) 933 6911.**

**DO NOT ATTEMPT TO REPAIR THE APPLIANCE YOURSELF.**

Please note that if an engineer is asked to attend whilst the product is under guarantee and finds that the problem is not the result of an appliance fault, then you may be liable for the cost of the call out charge.

**The appliance must be accessible for the engineer to perform any necessary repair. If your appliance is installed in such a way that an engineer is concerned that damage will be caused to the appliance or your kitchen, then he will not complete a repair.**

**This includes situations where appliances have been tiled in, sealed in with sealant, have wooden obstructions placed in front of the appliance, like plinths. Or any installation other than the one specified by Baumatic Ltd. has been completed.**

Please refer to the conditions of guarantee that appear on the warranty card that you receive with the appliance.



*You will be mine ...*

**United Kingdom**

Baumatic Ltd.,  
Baumatic Buildings,  
6 Bennet Road,  
Reading, Berkshire  
RG2 0QX  
United Kingdom

**Sales Telephone**

(0118) 933 6900

**Sales Fax**

(0118) 931 0035

**Service Telephone**

(0118) 933 6911

**Service Fax**

(0118) 986 9124

**Spares Telephone**

(01235) 437244

**Technical Advice Telephone**

(0118) 933 6933

**E-mail:**

sales@baumatic.co.uk  
technical@baumatic.co.uk

**Website:**

www.baumatic.co.uk

**Republic of Ireland**

01- 6266 798

**Czech Republic**

Baumatic CR spol s.r.o.  
Amperova 495  
46215, Librec  
Czech Republic

+420 800 185 263

www.baumatic.cz

**Slovak Republic**

Baumatic Slovakia, s.r.o.  
Skultetyho 1  
831 04 Bratislava 3  
Slovakia

+421 255 640 618

**Germany**

Baumatic Gmbh  
Janderstrasse 9  
Mannheim, 68199  
Germany

+4962 112 9190

www.baumatic.de

**Italy**

Baumatic Italia S.R.L.  
Via Caltana 129  
Campodarsego (Padova), 35011  
Italy

+3904 9920 2297

www.baumatic.it

**Holland**

Baumatic Benelux B.V.  
Grindzuigerstraat 22  
1333 MS ALMERE  
The Netherlands

+3136 549 1555

www.baumatic.nl









