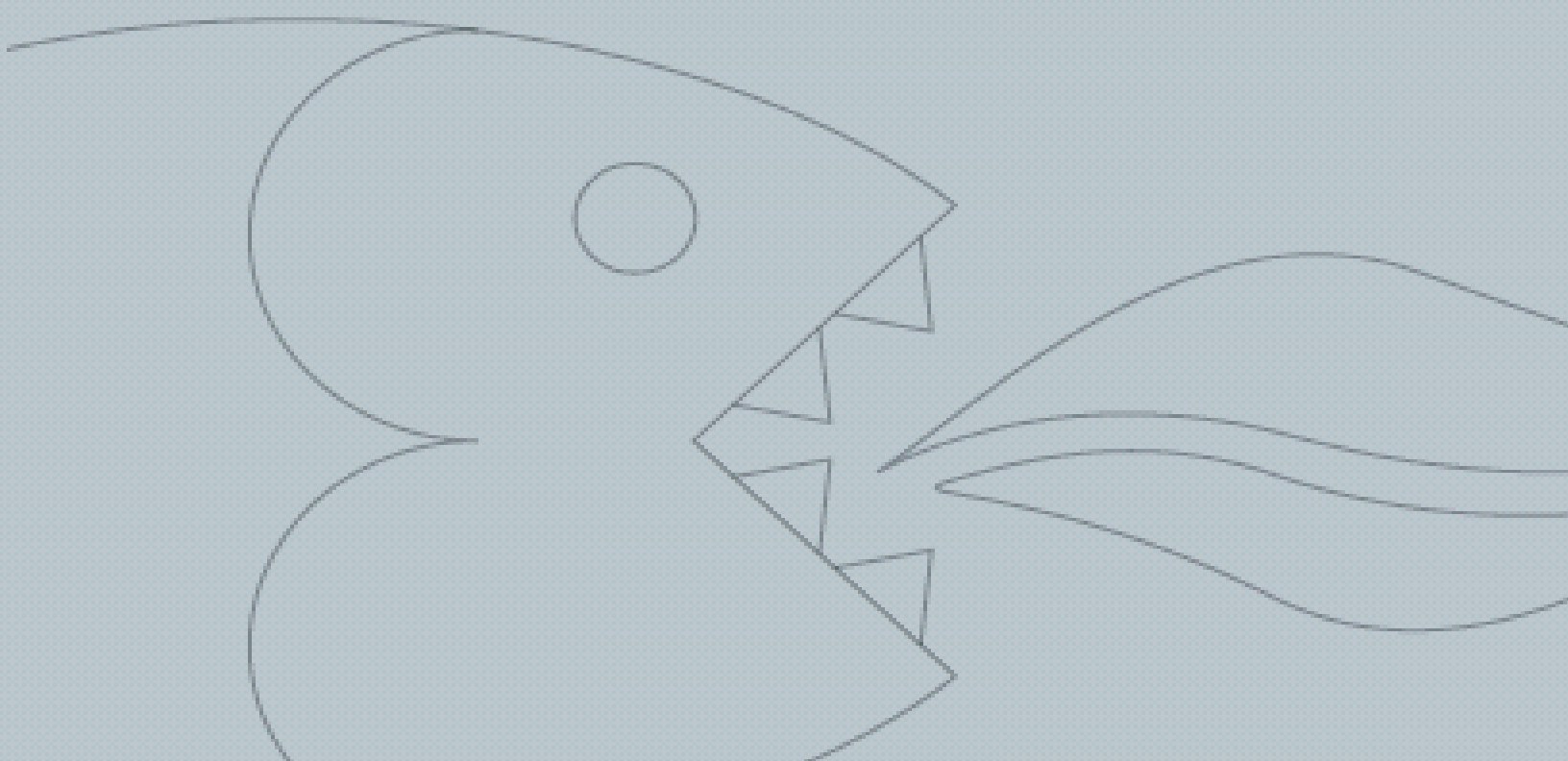


**AS30GL  
Cooker Hood**

**Instruction manual**



**User Manual for your Baumatic**

# **AS30GL Cooker Hood**

**90 cm Glass Chimney Hood**



***NOTE: This User Instruction Manual contains important information, including safety & installation points, which will enable you to get the most out of your appliance. Please keep it in a safe place so that it is easily available for future reference.***

# CONTENTS

**YOUR COOKER HOOD'S SPECIFICATIONS .....4**

**IMPORTANT SAFETY INFORMATION.....5-6**

**CARING FOR THE ENVIRONMENT.....7**

**MAINTAINING AND CLEANING YOUR COOKER HOOD .....8**

**INSTALLATION INSTRUCTIONS .....9-17**

**ELECTRICAL CONNECTION.....9**  
**REPLACING THE CARBON FILTER.....17**

**TOUCH CONTROL PANEL OPERATION....18-19**

***TROUBLESHOOTING .....20***

**CONDITIONS OF GUARANTEE.....21**

**CONTACT DETAILS.....22**

**HT MOD 05/07/06**

## Specifications of your AS30GL Cooker Hood

### ***Congratulations on purchasing a Baumatic Cooker Hood!***

To fully enjoy using your appliance long into the future, please firstly familiarise yourself with its specifications, safety advice and operational instructions included in this manual. You will also need this manual to ensure that your Cooker Hood has been installed properly.

### ***DIMENSIONS***

Width (canopy):	900 mm
Depth (canopy):	500 mm
Height (adjustable):	805 mm to 1195 mm

### ***Dimensions of Chimney Section:***

300 mm X 370 mm

### ***Your stainless steel Cooker Hood is fitted with:***

- High extraction capacitor motor
- Touch control operation
- Metallic grease filter
- 5 speeds and Booster
- 2 halogen lights
- Cut off timer (15 min)
- Service warning indicator

Extraction capacity – 750 m<sup>3</sup>/hr

Optional Extra: 1 x C1 Carbon filters for air recirculation.

**Important Safety Information: Please Read this before installing & using.**

- *Any installation work must be carried out by a qualified electrician or competent person.*

- *The hood must be installed in accordance with the installation instructions and all measurements followed.*

- If the cooker hood is installed for use above a gas appliance then the provision for ventilation must be in accordance with the Gas Safety Codes of Practice BS.6172, BS.5440 & BS.6891 (Natural Gas) and BS.5482 (LP Gas) 1994, the Gas Safety (Installation & Use) Regulations, the Building Regulations issued by the Department of the Environment, the Building Standards (Scotland) (Consolidated) Regulations issued by the Scottish Development Dptmt.



- It is dangerous to alter the specifications or to modify this product in any way. Do not tamper with it or attempt to alter it in the attempt to customise it further.



- When installing the hood, ensure that the following recommended distances are being observed between the cooker top and the bottom of the cooker hood:

- ✓ Electric cookers:  
700 mm
- ✓ Gas cookers:  
700 mm
- ✓ Coal/ oil cookers:  
800 mm

**\* NOTE - DO NOT SET YOUR COOKER HOOD LESS THAN 700mm ABOVE YOUR COOKER!**

- When installed between adjoining wall cabinets, the cabinets must not overhang the hob.
- The edges of the cooker hood are sharp – be mindful of this as you handle your appliance, especially during installation and cleaning. **DO NOT CLEAN IN BEHIND THE GREASE FILTERS!**
- If the room where the cooker hood is to be used contains a fuel burning appliance such as a central heating boiler then its flue must be of the sealed or balanced flue type.
- If other types of flue or appliances are fitted, ensure that there is an adequate supply of air in the room.
- When the hood is being used in its extractor function, ensure that the ducting is fire retardant and that there are no bends sharper than 90 degrees as this will reduce the efficiency of the hood.

## Important Safety Information: Please Read this before installing & using.

- Ensure the ducting for the extractor function has the same diameter as the outlet hole all the way through.
- *Keep young children from using, playing with or tampering with the cooker hood. Older children and infirm persons should be supervised if they are using the cooker hood.*
- *Your cooker hood is for domestic use only.*
- *Please dispose of the packing material carefully – children are especially vulnerable to it.*
- *Dirty oil is an even greater fire risk.*
- *Always put lids on pots and pans when cooking on a gas cooker.*
- *The manufacturer refuses to accept any responsibility for damages arising to the hood or it's catching on fire from failure to observe fire safety advice in these instructions.*
- *Remember that when in extraction mode, your cooker hood is removing air from your room. Ensure that proper*



*ventilation measures are being observed. Note that it removes odours from your room, not steam.*

- Warning - Always ensure that the cooker hood has been disconnected from the power supply before carrying out any work on the hood, including replacing light bulbs.
- 
- ☒ Do not connect the ducting system of this appliance to any existing ventilation system which is being used for any other purpose.
  - ☒ Do not install above a cooker with a high level grill.
  - ☒ *Never leave frying pans unattended during use as overheated fats and oils might catch fire.*
  - ☒ *Do not leave naked flames under the cooker hood.*
  - ☒ Do not attempt to use the cooker hood if it is damaged in any way. *Never attempt to use it without the grease filters fitted or if the filters are excessively greasy!*
  - ☒ *Never flambé cook under this cooker hood.*

THE MANUFACTURER DECLINES ALL RESPONSIBILITY IN THE EVENT OF FAILURE TO OBSERVE THE INSTRUCTIONS GIVEN HERE FOR INSTALLATION, MAINTENANCE AND SUITABLE USE OF THE HOOD.




## Environmental Note

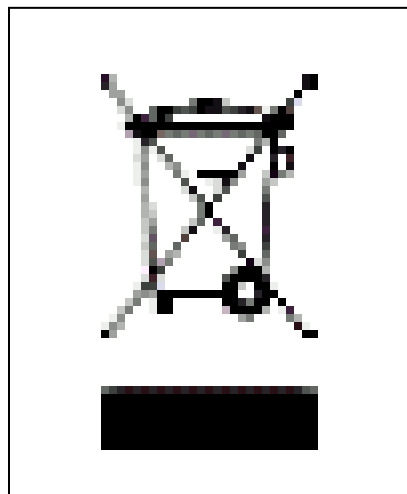
**Note:** Before discarding an old appliance, switch off and disconnect it from the power supply. Cut off and render any plug useless. Cut the cable off directly behind the appliance to prevent misuse. This should be undertaken by a competent person.

### CONFORMITY TO W.E.E.E. DIRECTIVE

This appliance is marked according to the European directive 2002/96/EC on Waste electrical and Electronic Equipment (WEEE). By ensuring this product is disposed of correctly, you will help prevent potential negative consequences for the environment and human health, which could otherwise be caused by inappropriate waste handling of this product.

The symbol  on the product, or on the documents accompanying the product, indicates that this appliance may not be treated as household waste. Instead it shall be handed over to the applicable collection point for the recycling of electrical and electronic equipment.

Disposal must be carried out in accordance with local environmental regulations for waste disposal. For more detailed information about treatment, recovery and recycling of this product, please contact your local city office, your household waste disposal service or the shop where you purchased the product.



## Cleaning your Baumatic Cooker Hood:

**IMPORTANT:** *Before cleaning, always ensure that you have switched your cooker hood OFF at the power supply switch.*

### Cleaning

- Clean the external parts with mild liquid detergents on a damp cloth.
- Never use abrasive powder, corrosive solvents or brushes.
- Never insert pointed objects into the motor's protective grid.
- Only clean the control panel and filter grill with a damp cloth and delicate detergents.
- Be sure to replace the carbon filters at the recommended intervals. Build up could cause a fire hazard.
- Never take out the grease filters and attempt to clean the space above where they are set.

### Anti-Grease Grille

- Your cooker hood includes an anti-grease grille which helps absorb vapour-suspended grease particles to protect your kitchen & furniture from greasy residues.
- The metal grille may become inflammable if it becomes saturated with greasy residue.

- ✓ To prevent this fire hazard, the grille should be cleaned regularly (depending on use) every 10-15 days and at least once a month in hot water with normal washing-up detergent. **DO NOT USE A DISHWASHER TO ACHIEVE THIS.**

## INSTALLATION INSTRUCTIONS – Electrical Connection.

**Before installation and usage, read all the instructions and make sure that the voltage (V) and the frequency (Hz) indicated on the identification plate (found inside your Cooker Hood) and all the data inside the appliance are exactly the same as the voltage and frequency in your home.**

**NOTE: The manufacturer declines all responsibility in the event of failure to observe all the accident-prevention regulations in force which are necessary for normal use and regular operation of the electric system.**



### ELECTRICAL CONNECTION

**Your cooker hood is intended for fitted and permanent installation.**

- The power cable must be connected to the terminals marked L (live) and N (neutral) in the hood and fixed with a cable clamp.
- The cooker hood's power cable must be fitted upstream from the electrical connection using an omni-polar switch with a contact distance of at least 3mm.

**NOTE: (UK only) WARNING – THIS APPLIANCE MUST NOT BE EARTHED. It should only be connected by a competent person using fixed wiring via a DOUBLE POLE SWITCHED FUSED SPUR OUTLET.**

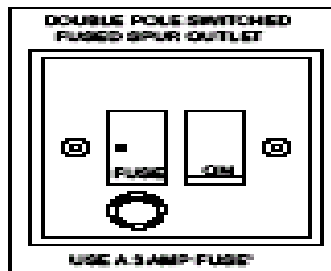
We recommend that the appliance is connected by a qualified electrician who is a member of the N.I.C.E.I.C. and who will comply with the I.E.E. and local regulations. The wires in the mains lead are coloured in accordance with the following U.K. code:

**Blue= Neutral, Brown = Live, Green/Yellow = Ground**

**If you can only find two wires in the cable (blue and brown), neither must be connected to the Earth terminal!**




- As the colours of the wires in the appliance's mains lead may not correspond with the coloured markings identifying the terminals in your spur box, please proceed as follows:

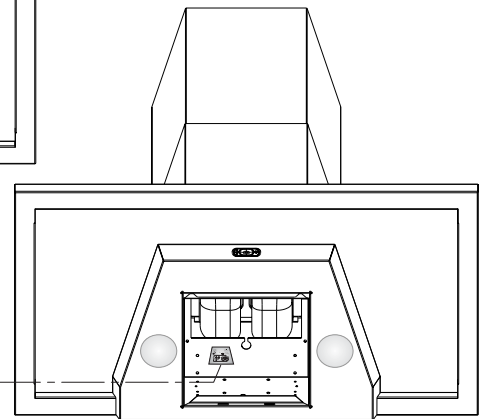
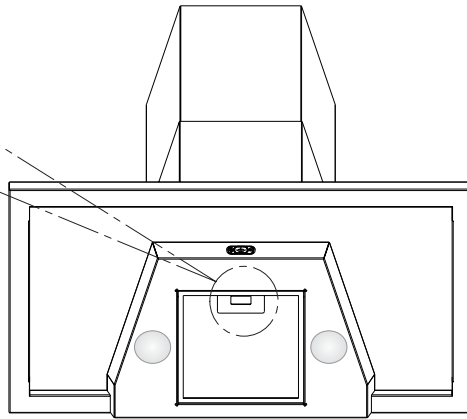
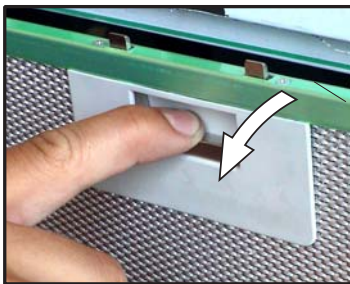
- 1) The **BLUE WIRE** must be connected to the terminal marked 'N' (Neutral), or coloured Black.

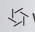



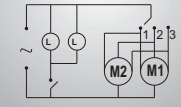
- 2) The **BROWN WIRE** must be connected to the terminal marked 'L' ('Live'), or coloured RED (Fig. 7 – at left)

**Fig. 7 ONLY FOR U.K.**

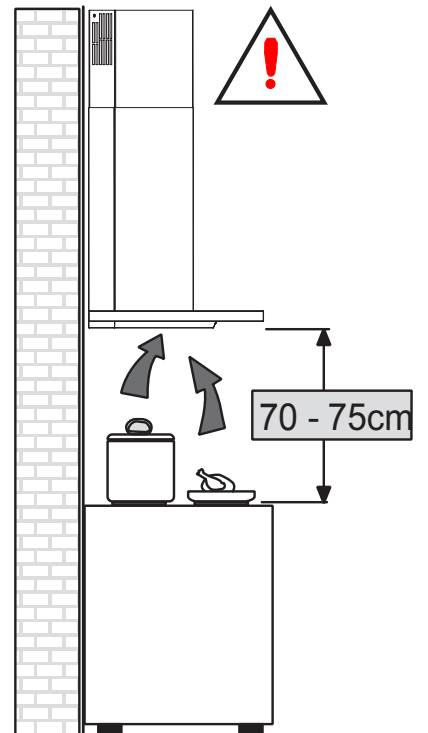
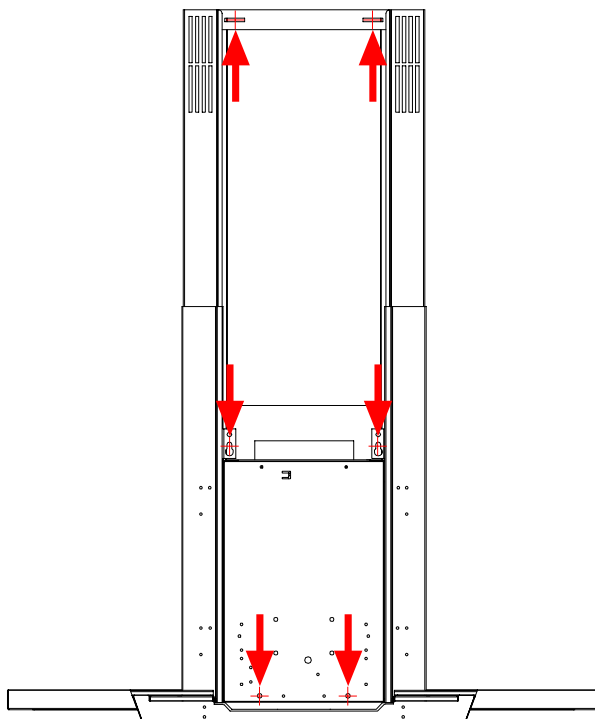
1   



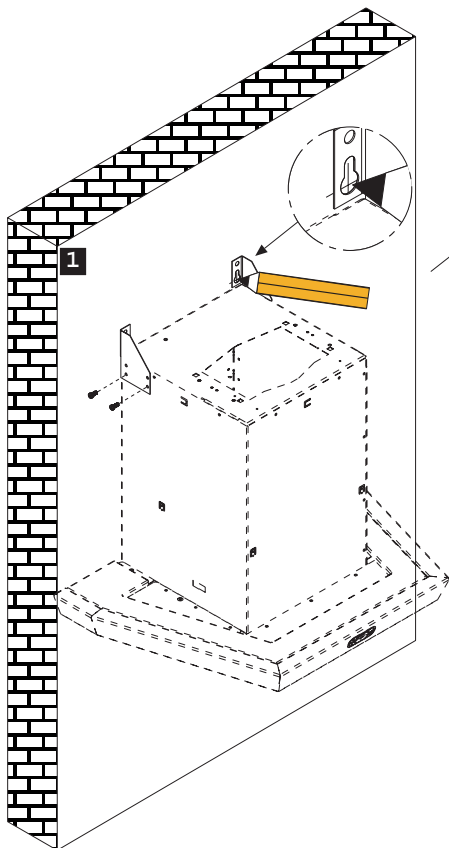
TYPE	Cod.
SERIE	BATCH
V ~	Hz
W	W tot
 W	 W MAX



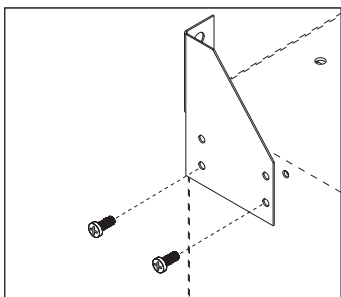
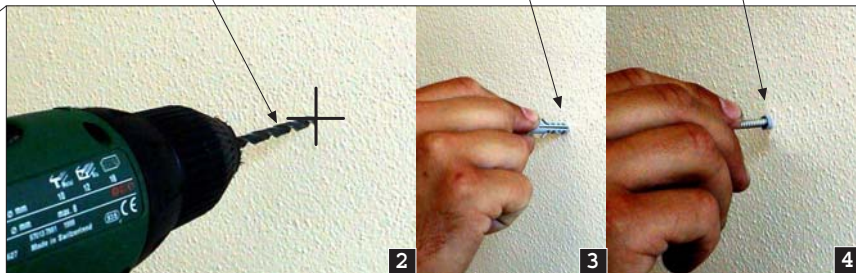
2  



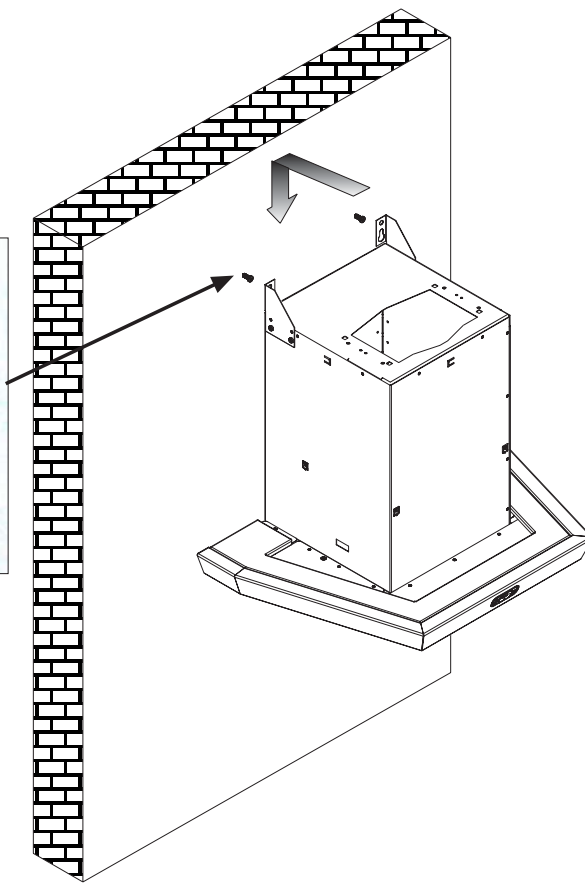
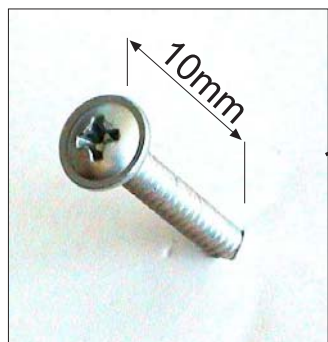
3

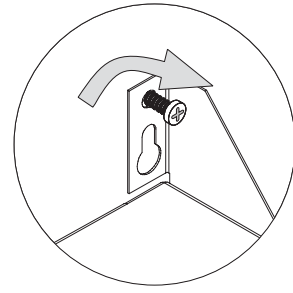
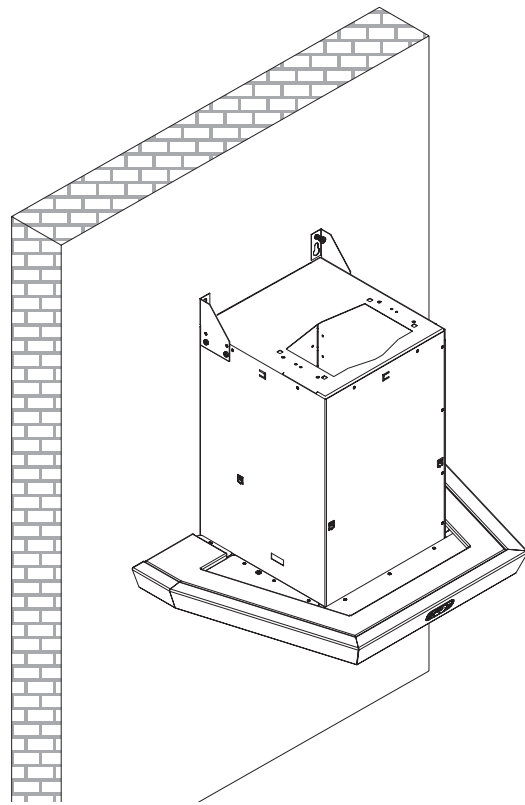


Ø 6

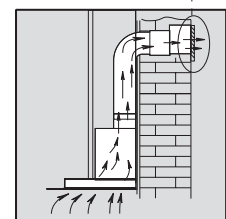
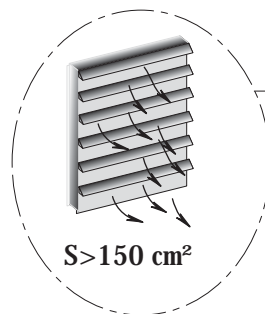
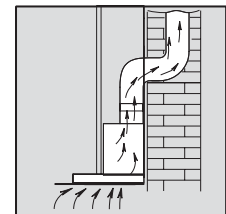
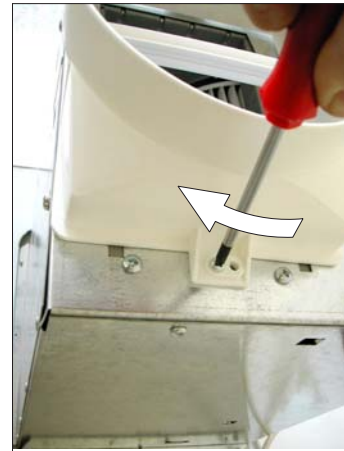
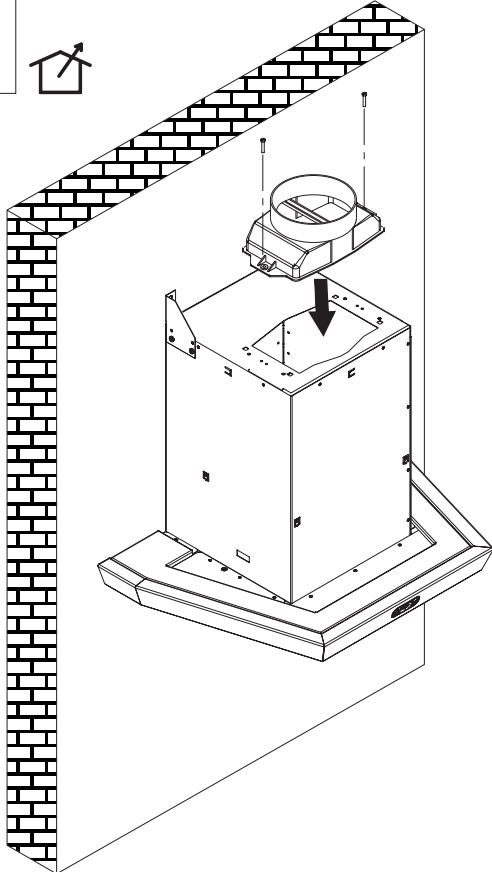


4

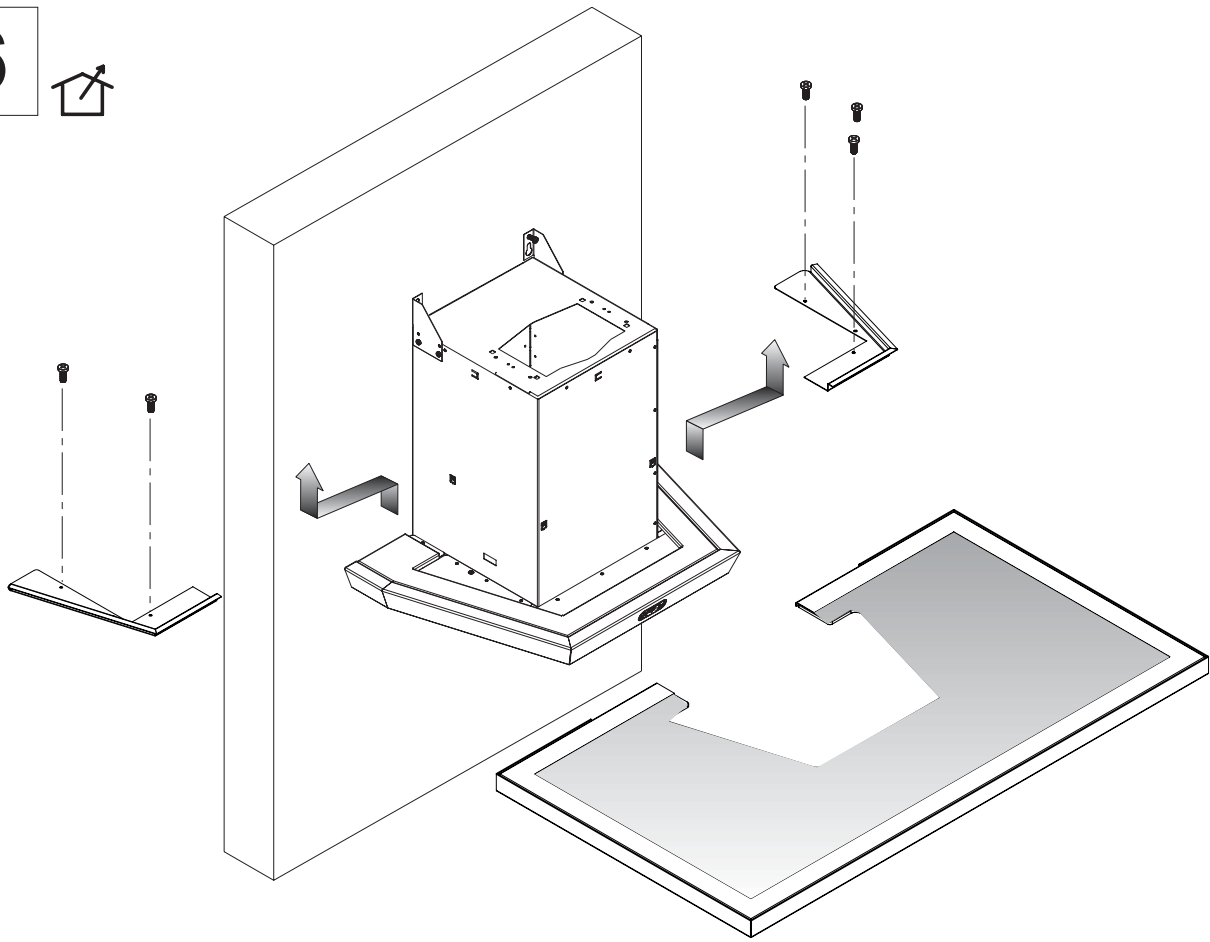




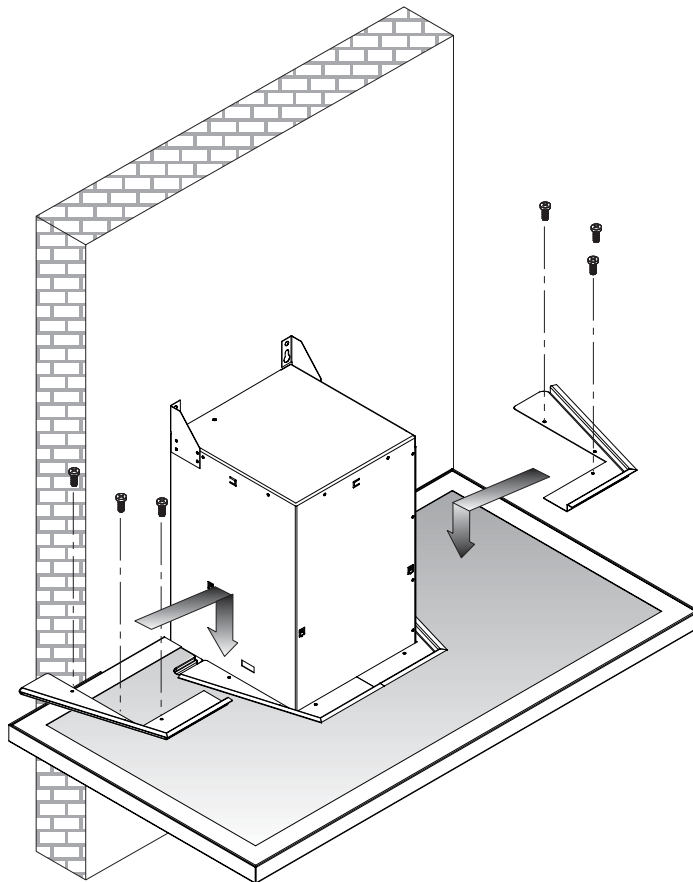
5 



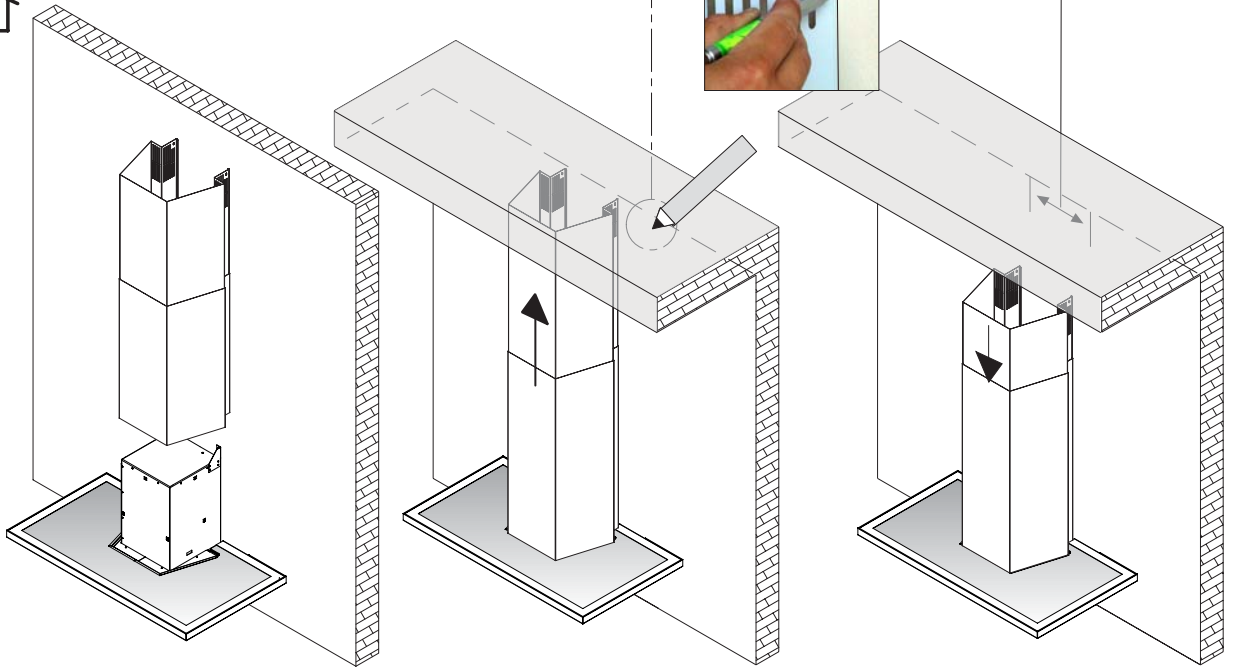
6



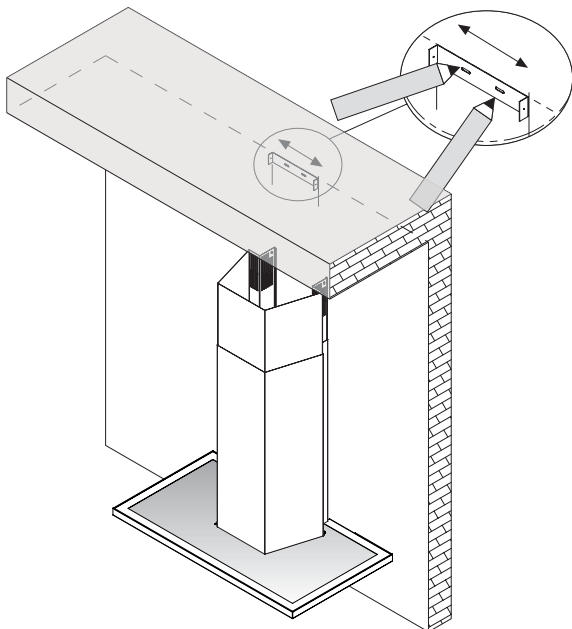
7



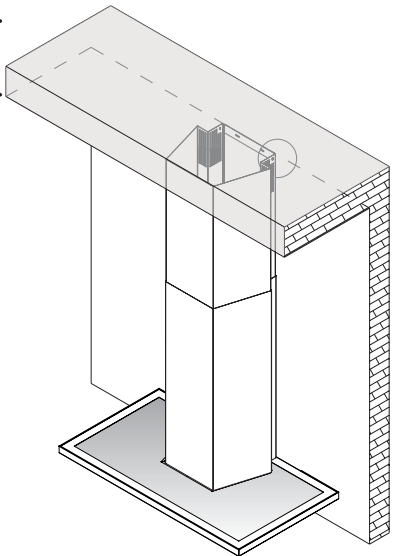
8



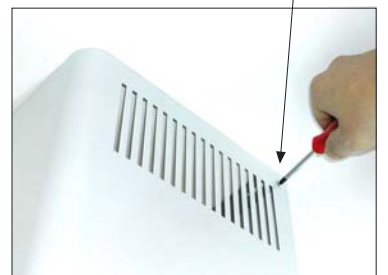
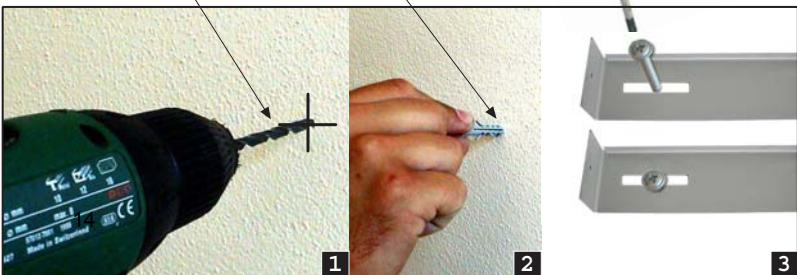
9



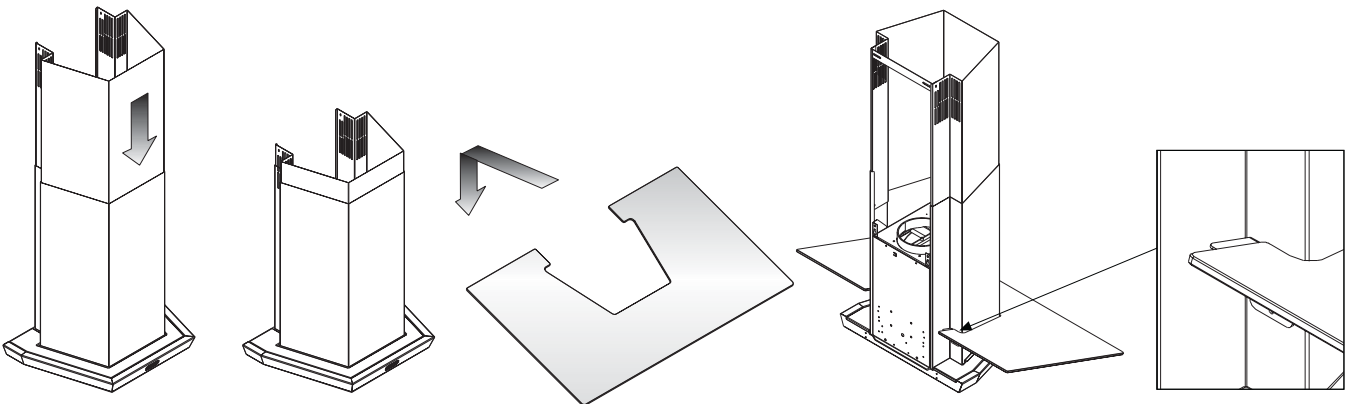
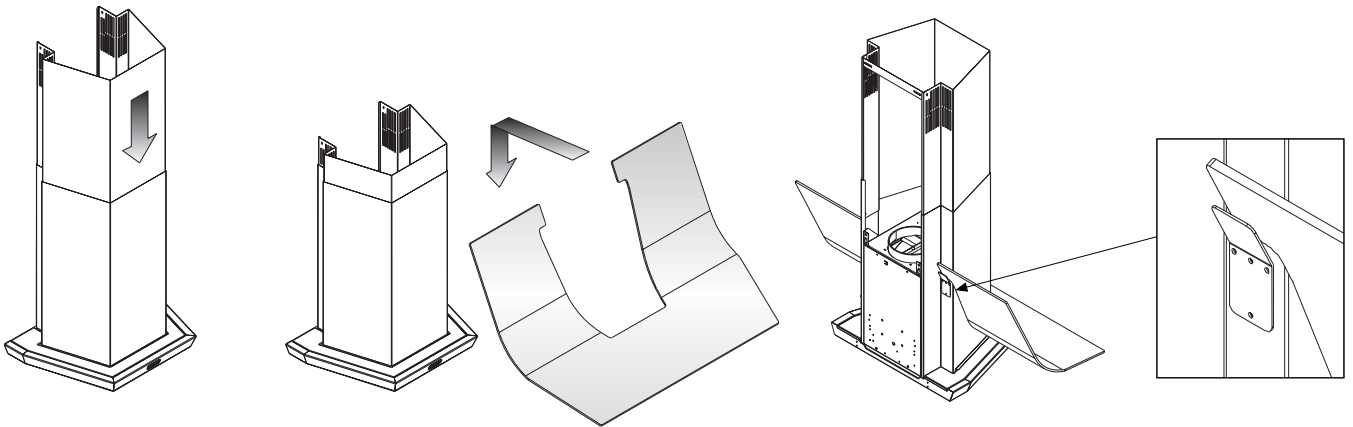
10

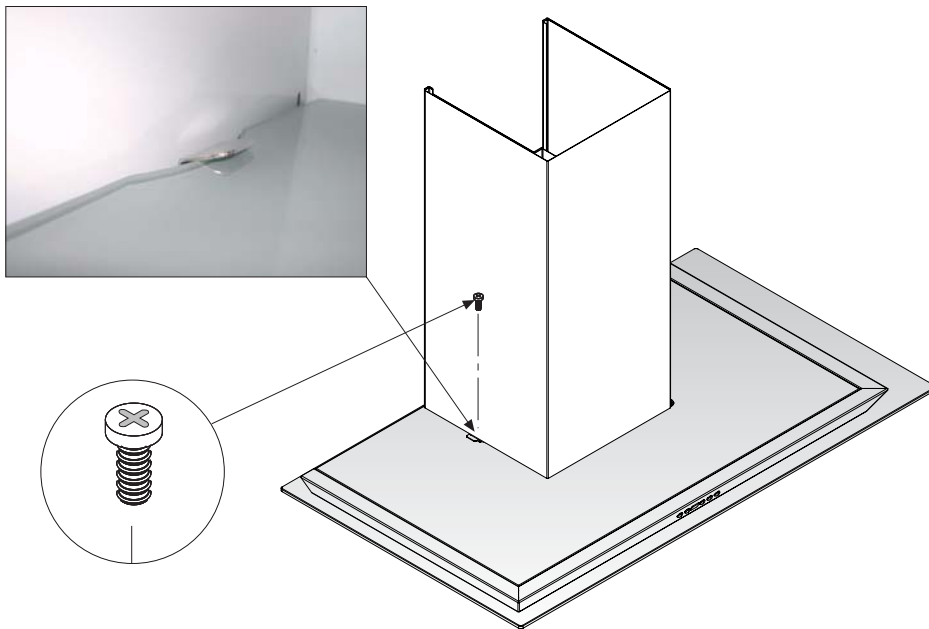
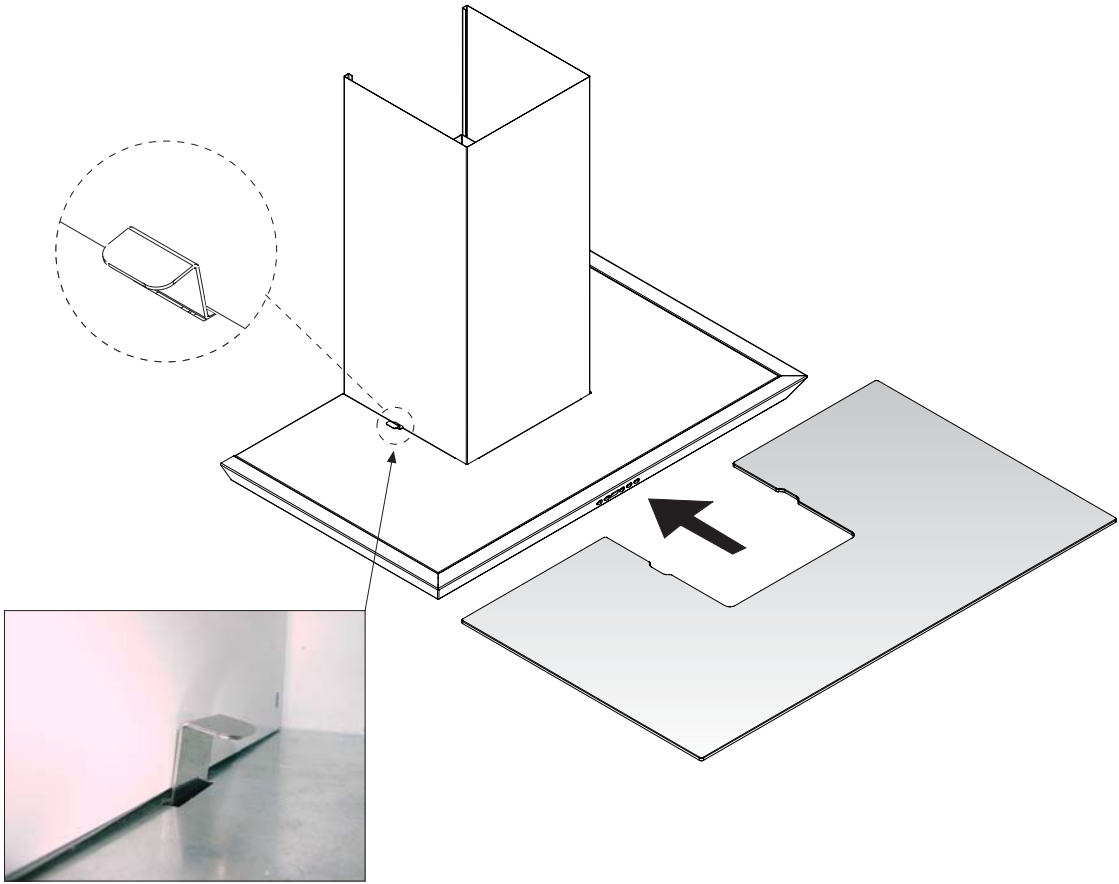


Ø6



**PLEASE NOTE:  
ONLY FOR MODEL WITH GLASS  
CANOPY!**



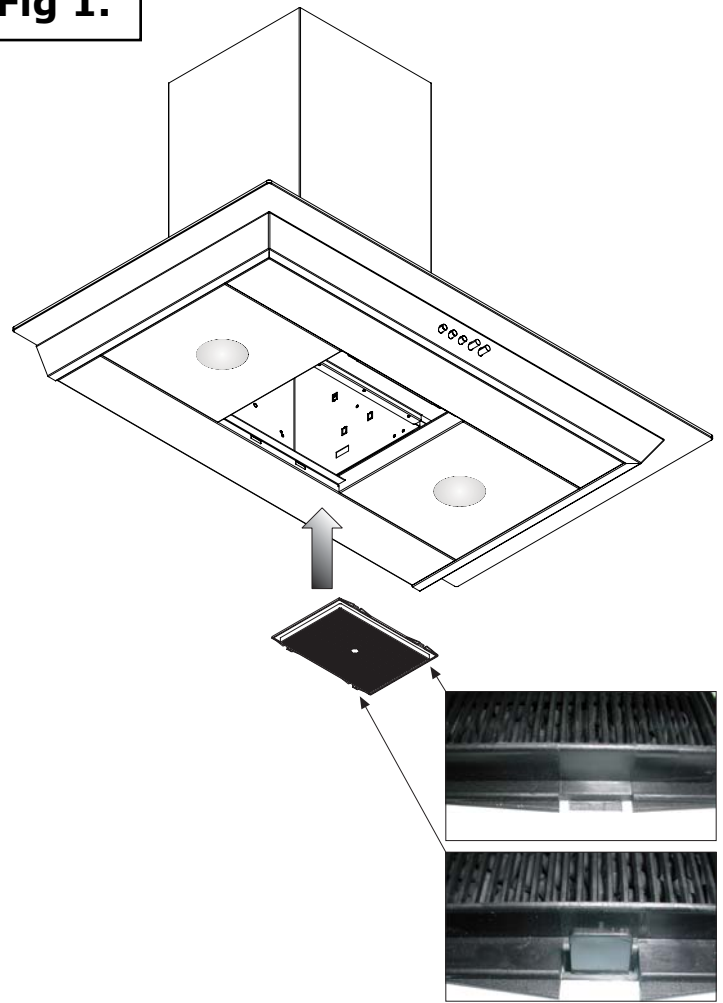




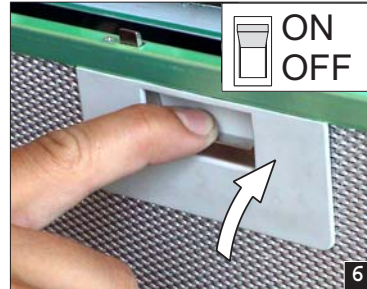
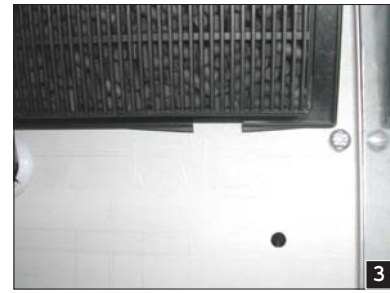
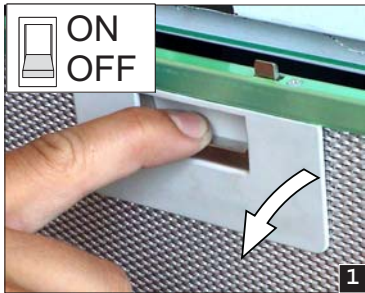
**Fig 1.**

Only for Re-circulation:

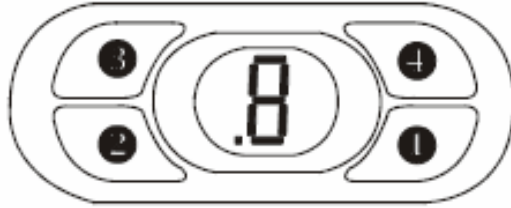
- How to install the Carbon Filter: (see Fig 1. below) (Filter is supplied separately)
- How to remove: (See Fig 2.)



**Fig 2.**



## Touch Control Panel Operation



### **THE ELECTRONIC CONTROLS ON YOUR COOKER HOOD HAVE MULTIPLE FUNCTIONS:**

#### **FEATURES:**

##### **Start and Increase Speed (6 speeds)**

The Cooker hood motor is turned on by pressing button **1**. The hood automatically sets itself to speed Level **1** when activated. Speed is increased by pressing button **1** for less than 1 second; a dedicated screen displays the speed level.

Keeping button **1** pressed longer than 1 second top speed is selected.

##### **Motor stopping and speed decreasing**

The fan operating speed is decreased by pressing button **2** for less than 1 second; the display indicates the speed level.

Keeping button **1** pressed longer than 1 second turns the hood off.

##### **Timer Function**

This function allows you to program the cooker hood's motor and lights in order to have them automatically switched off 15 minutes after you have activated this function. To program: press button **3**.

When timer function is activated you will see the number displayed pulsing on and off.

##### **Light on-off function**

Light is turned on and off by pressing button **4**.

## **Touch Control Panel Operation- continued:**

### **Specific features**

Your cooker hood's electronic system is equipped with special functions designed to facilitate maintenance and correct utilisation.

### **Metal filters cleaning required warning**

Every 30 hours of utilisation the microprocessor warns the user, by means of a pulsing "A" on the display, that it is time to clean the anti-grease metal filters. Cleaning the filters will guarantee better ducting performance and improved hygiene. To delete this prompt, once the filters have been cleaned and with the cooker hood off (not powered), hold buttons **2** and **3** pressed for more than 4 seconds: on the screen the number "8" will be displayed, it will disappear after 4 seconds. The microprocessor will reset the filters's cleaning clock and begin the countdown to the next prompt.

### **Carbon filters cleaning warning (only if mounted)**

If your cooker hood utilises the re-circulation air filtering system, and therefore is equipped with active carbon filters to purify the re-circulated air, it is necessary to set the Cooker hood controls accordingly. While the hood is not in operation, hold button **3** for more than 4 seconds. On the screen will be displayed the symbol "-" (this means that the hood, for the time being, is not utilising the carbon filter), this symbol will be replaced after 4 seconds by the letter "C" (this means that the hood is now using the Carbon Filter).

From now on the microprocessor will prompt for "Carbon Filters cleaning required" every 120 hours of utilisation by displaying a pulsing "C" on the screen. Cleaning the filter will guarantee better ducting performance and improved hygiene. To delete this prompt, once the filters have been replaced and with the cooker hood off (not powered), hold buttons no. 1 and no.3 pressed for more than 4 seconds: on the screen will be displayed the number "8", it will disappear after 4 seconds hence the microprocessor will reset the filter's cleaning clock and begin to count the 120 hours to the next prompt for filters cleaning.

## Troubleshooting

*If something has gone wrong with your Cooker Hood, checking against this chart might keep you from having to call for service.*

<b>Symptom</b>	<b>Solution</b>
<i>The cooker hood will not start!</i>	<ul style="list-style-type: none"><li>• Check that the hood is connected to the electricity supply.</li><li>• Check that the fan speed control is set properly.</li></ul>
<i>The cooker hood is not working effectively!</i>	<ul style="list-style-type: none"><li>• The fan speed is not set high enough.</li><li>• The grease filter is dirty.</li><li>• The kitchen is not ventilated well enough.</li><li>• If the hood is set for recirculation, check that the carbon filters have not expired.</li><li>• If the hood is set for extraction, check that the ducting and outlets are not blocked.</li></ul>
<i>The cooker hood has switched off during operation!</i>	<ul style="list-style-type: none"><li>• The safety cut-out device has been tripped.</li><li>• Turn off the hob and then wait for the device to reset.</li><li>• Note that if you have installed your cooker hood too low, this will happen. If it happens frequently, it will be damaged.</li></ul>

## **BAUMATIC LTD. -CONDITIONS OF GUARANTEE.**

Dear Customer,

The conditions of guarantee which apply to your Baumatic appliance are as follows: This product is guaranteed for 12 months from the date of original purchase.

Baumatic Ltd will repair any defect that arises due to faulty materials or workmanship free of charge during this period.

\*In addition, your appliance is covered by a 5 year parts warranty. Baumatic Ltd will provide free of charge the parts required to repair the appliance, only if they are fitted by a Baumatic engineer, for any defect that arises due to faulty materials or workmanship within a period of 5 years from the original purchase date.

\*An additional and annually renewable insurance scheme for labour is available should you wish to extend the warranty period.

Should any person other than an authorised representative of Baumatic Ltd interfere with the appliance, the policy is negated and Baumatic Ltd will be under no further liability.

The guarantee covers the appliance for normal domestic use only, unless otherwise stated.

Any claims made under the terms of the guarantee must be supported by the original invoice/bill of sale issued at the time of purchase.

This guarantee is transferable only with the written consent of Baumatic Ltd.

If the appliance fails and is considered either not repairable or uneconomical to repair between twelve months and five years from purchase date, a free of charge replacement will not be offered.

The guarantee for any replacement will only be for the remainder of the guarantee on the original product purchased.

This guarantee does not cover:

x Sinks and taps

X Failure to comply with the manufacturer's instructions for use.

X The replacement of cosmetic components or accessories.

X Accidental damage or wilful abuse.

X Subsequent loss or damage owing to the failure of the appliance or electrical supply.

X Incorrect installation.

X Losses caused by Acts of God, civil war, failure to obtain spare parts, strikes or lockouts.

X Filters, fuses, light bulbs, external hoses, damage to bodywork, paintwork, plastic items, covers, baskets, trays, shelves, burner bases, burner caps, decals, corrosion, rubber seals..

In the course of the work carried out it may be necessary to remove the appliance from its operating position. Whilst all reasonable care will be taken, Baumatic Ltd cannot accept responsibility for damage sustained to any property whatsoever in this process.

This guarantee is in addition to and does not diminish your statutory or legal rights.

Contacting Baumatic.

SALES

TEL: 0118 933 6900

FAX: 0118 931 0035

SERVICE

TEL: 0118 933 6911

FAX: 0118 986 9124

SPARES

TEL: 0118 933 6922

FAX: 0118 933 6942

TECHNICAL / ADVICE

TEL: 0118 9336933

FAX: 0118 9336942

For mainland UK and Northern Ireland, please contact one of the above numbers for further information or any other query you may have.

For ROI (Republic of Ireland), please contact one the numbers below:

TEL: 01 - 6266798 FAX: 01 - 6266634

Thank you for buying Baumatic.

\*Applies to UK, Scotland, Wales & Northern Ireland only. (Republic of Ireland has 1 year labour and 1 year parts warranty only) .

# Baumatic Ltd

*Make-up for your kitchen*

## **Headquarters**

Baumatic Ltd.  
Baumatic Buildings,  
6 Bennet Road,  
Reading,  
Berkshire  
RG2 0QX, United Kingdom

Sales Telephone  
+44 118 933 6900

Sales Fax  
+44 118 931 0035

Service Telephone  
+44 118 933 6911

Service Fax  
+44 118 986 9124

Spares Telephone  
+44 118 933 6922

Technical / Advice Telephone  
+44 118 933 6933

## **E-mail:**

[sales@baumatic.co.uk](mailto:sales@baumatic.co.uk)

[technical@baumatic.co.uk](mailto:technical@baumatic.co.uk)

Http (Internet site):  
[www.baumatic.com](http://www.baumatic.com)

Baumatic UK/cod. 1230000666



This appliance is marked according to the European Directive 2002/96/EC on Waste Electrical and Electronic Equipment(WEEE).

This guideline is the frame of a Europeanwide validity of return and recycling on Waste Electrical and Electronic Equipment.



  
**Baumatic®**  
[www.baumatic.com](http://www.baumatic.com)