

## DTD4R 'Alta'



## Technical Details

<b>Controls</b>	Digitally controlled, Electronic Thermostat accurate to ( $\pm 0.2^{\circ}\text{C}$ ). Set-point range (7-30°C)  7 Day Programmable User Timer which allows for 7 periods per day.  Modes - Normal (timer), Comfort, Eco, Away and Off.
<b>Controller UI</b>	<ul style="list-style-type: none"> <li>Digital segmented display with neon graphics.</li> <li>Capacitive buttons.</li> <li>Time memory through super cap.</li> </ul>
<b>Controller Functions</b>	<ul style="list-style-type: none"> <li>Wi-Fi for software updates</li> <li>Child Lock &amp; Heater Lock (button-based)</li> </ul>
<b>Construction</b>	<ul style="list-style-type: none"> <li>Durable epoxy-polyester powder coated steel casing with slotted upward facing grille.</li> </ul>
<b>Element</b>	Convective Aluminium Element
<b>Installation</b>	<ul style="list-style-type: none"> <li>1 H-frame wall bracket for easy fixing, already fitted. Includes plastic tilt strap.</li> </ul>
<b>Safety</b>	<ul style="list-style-type: none"> <li>Thermal cut-out. Auto reset type</li> </ul>
<b>IP Rating</b>	IP24
<b>Battery Backup</b>	No battery. Short term time retention using super cap
<b>Supply</b>	1.3 metres fitted, 2 core for fused spur installation, 1/N ~230-240 V, 50Hz Class 2, without earth wire.
<b>Colour / Finish</b>	Metal Chassis in Traffic White, RAL 9016

## Warranty & Approvals

<b>Approvals</b>	CE, UKCA, BEAB
<b>Guarantee</b>	2 Years (+3 with registration)
<b>Country of Origin</b>	United Kingdom
<b>Manufacturer</b>	Glen Dimplex Heating & Ventilation (Glen Dimplex UK Ltd)

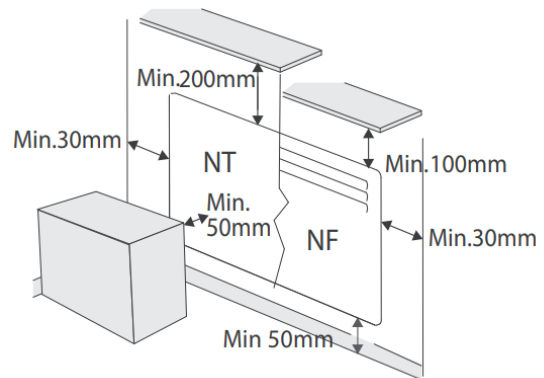
## Product Description

DTD4R Alta panels feature built-in Wi-Fi with direct connection to your network, allowing the panel to be controlled remotely. Also includes intuitive user controls, and 7-day timer profiles (via APP).

## Key Features

- Modern panel design with top outlet grille for optimum heat circulation.
- Wi-Fi connected product.
- Customisable heating time and temperature settings.
- Smartphone app controllable via the CAPA Connect APP.

## Dimensions



Model/Item No. (EAN-Code 5011139+EAN)	400001221	DTD4R 05 400001222	DTD4R 07 400001223	DTD4R 10 400001224	DTD4R 15 400001225	DTD4R 20 400001226
EAN	085818	085825	085832	085849	085856	085863
Output (kW)	0.50	0.75	1	1.5	2	2.5
Height 'D' (mm)	400	400	400	400	400	400
Width 'C' (mm)	525	625	725	1025	1125	1225
Depth 'E' (mm)	90	90	90	90	90	90
Weight (Kg)	3.6	4.2	5	5.8	7.5	9.2
<b>Packaging Details</b>						
Height (mm)	428	428	428	428	428	428
Width (mm)	553	653	753	1053	1153	1253
Depth (mm)	104	104	104	104	104	104
Packed Weight (Kg)	4.1	4.6	5.4	7.4	9.7	12.0
Ti	7	11	10	7	7	7
Hi	4	2	2	2	2	2
Pallet Quantity (2.4m high)	28	22	20	14	14	14