

PACK WIRING INFORMATION

Horstmann programmers can be chosen and installed with any of the popular systems on the market and some typical examples are shown below.

ACL Drayton

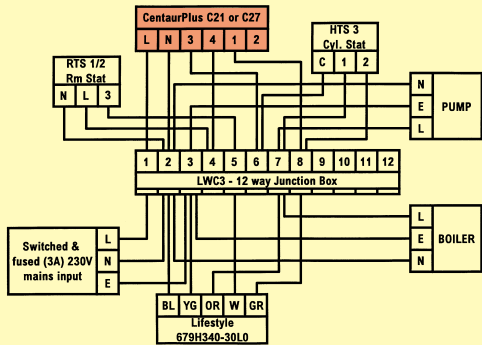
Danfoss Randall

Honeywell

Landis & Staefa

3 PORT MID POSITION

BIFLOW

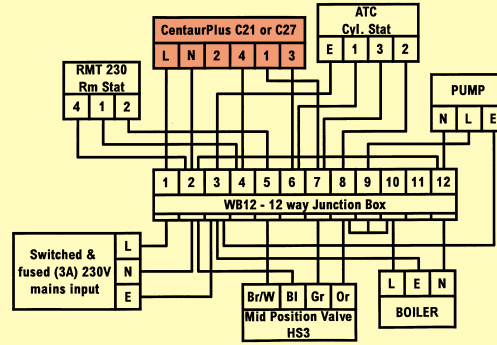


Wiring Centre - LWC3

1	2	3	4	5	6	7	8	9	10	11	12
L	N	-	4	-	3	-	1	-	-	-	-

CentaurPlus C21/C27 Programmer

HEATSHARE

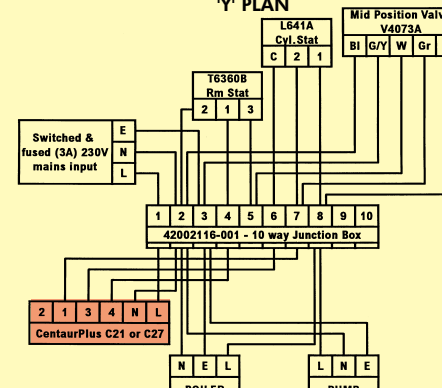


Wiring Centre - WB12

1	2	3	4	5	6	7	8	9	10	11	12
L	N	-	4	-	3	1	-	-	-	-	-

CentaurPlus C21/C27 Programmer

'Y' PLAN

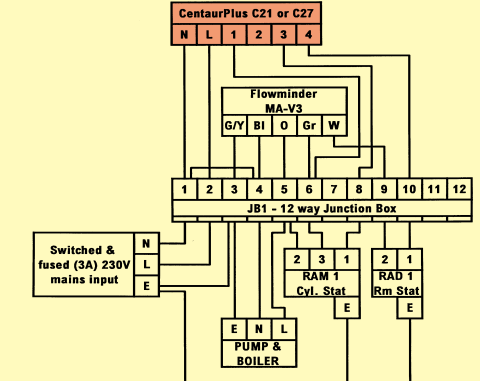


Wiring Centre - 42002116-001

1	2	3	4	5	6	7	8	9	10
L	N	-	4	-	3	1	-	-	-

CentaurPlus C21/C27 Programmer

FLOWMINDER



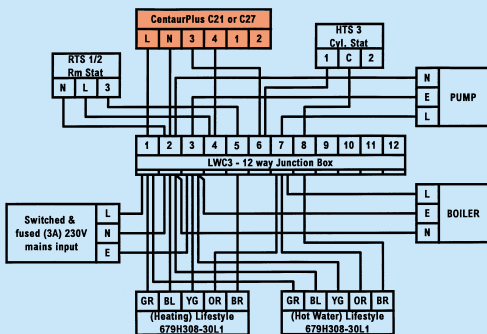
Wiring Centre - JB1

1	2	3	4	5	6	7	8	9	10	11	12
N	L	-	-	-	1	-	3	-	4	-	-

CentaurPlus C21/C27 Programmer

2x2 PORT ZONE VALVE

TWINZONE

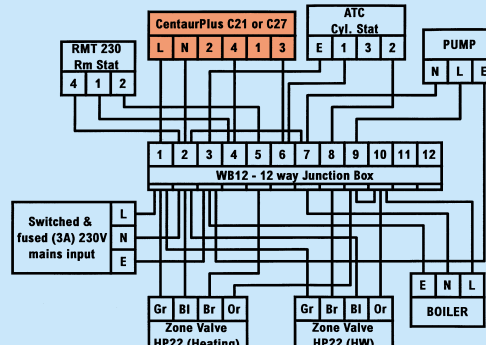


Wiring Centre - LWC3

1	2	3	4	5	6	7	8	9	10	11	12
L	N	-	4	-	3	-	-	-	-	-	-

CentaurPlus C21/C27 Programmer

HEATPLAN

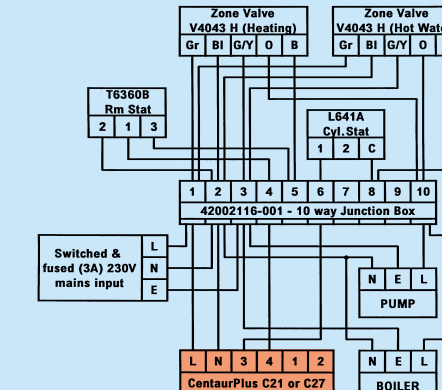


Wiring Centre - WB12

1	2	3	4	5	6	7	8	9	10	11	12
L	N	-	4	-	3	-	-	-	-	-	-

CentaurPlus C21/C27 Programmer

'S' PLAN

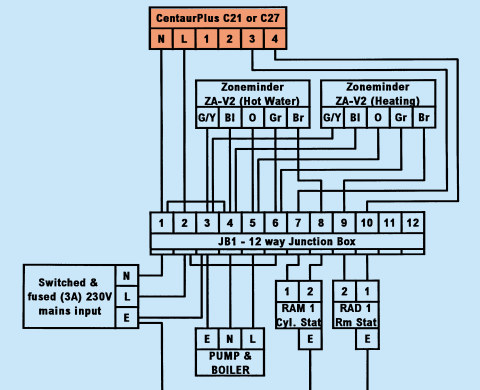


Wiring Centre - 42002116-001

1	2	3	4	5	6	7	8	9	10
L	N	-	4	-	3	-	-	-	-

CentaurPlus C21/C27 Programmer

ZONEMINDER



Wiring Centre - JB1

1	2	3	4	5	6	7	8	9	10	11	12
N	L	-	-	-	3	-	-	4	-	-	-

CentaurPlus C21/C27 Programmer

For the sake of clarity the terminal numbers on the equipment shown in these diagrams may be shown out of positional sequence. The above diagrams and charts show a Horstmann CentaurPlus programmer being used but it is equally possible to use a Horstmann ChannelPlus programmer. In this case the equivalent terminals to substitute on the diagrams are shown here on the right.

CentaurPlus/ChannelPlus Terminal Equivalents

CentaurPlus C21 or C27	E	N	L	1	2	3	4
ChannelPlus H21 or H27 (Link L-2-5)	E	N	L	3	6	1	4