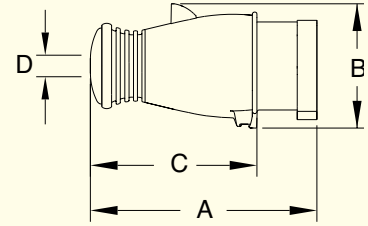


Plugs 16 and 32 Amp

IP 44 SPLASHPROOF



Amps	Pin. Configuration	100-130V 50-60Hz List No	200-250V 50-60Hz List No	380-415V 50-60Hz List No	440-460V 50-60Hz List No	480-500V 50-60Hz List No	Cable Diameter D mm		Terminal Capacity* mm ²	Dimensions in mm		
							min	max		A	B	C
1	2P+E	K9000 YEL 4	K9001 BLU 6	K9002 RED 9			8.2	13	1 - 2.5	115	63	78
16	3P+E	K9005 YEL 4	K9006 BLU 9	K9007 RED 6	K9008 RED 11	K9009 BLK 7	8.9	17	1 - 2.5	140	72	103
16	3P+N+E	K9013 YEL 4	K9014 BLU 9	K9015 RED 6	K9016 RED 11		10.1	17	1 - 2.5	140	76	103
32	2P+E	K9032 YEL 4	K9033 BLU 6				11.7	21.5	2.5 - 6	156	83	110
32	3P+E	K9035 YEL 4	K9036 BLU 9	K9037 RED 6	K9038 RED 11	K9039 BLK 7	11.7	21.5	2.5 - 6	156	83	110
32	3P+N+E	K9043 YEL 4	K9044 BLU 9	K9045 RED 6	K9046 RED 11		14.2	21.5	2.5 - 6	156	88	110

Amps	Pin. Configuration	>50V 100-300Hz List No	>50V 300-500Hz List No	ISTRAN 50-60Hz List No	>50-250V d.c. List No	Cable Diameter D mm		Terminal Capacity* mm ²	Dimensions in mm		
						min	max		A	B	C
16	2P+E			K9004 GRY 12	K9003 GRY 3	8.2	13	1 - 2.5	115	63	78
16	3P+E	K9010 GRN 10	K9011 GRN 2			8.9	17	1 - 2.5	140	72	103
16	3P+N+E		K9017 GRN 2			10.1	17	1 - 2.5	140	76	103
32	3P+N+E		K9047 GRN 2			14.2	21.5	2.5 - 6	156	88	110

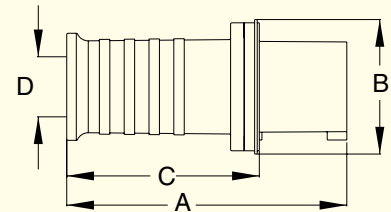
Earth Hour Position

*Flexible conductors

Plugs 63 Amp

FITTED WITH CABLE ENTRY GLAND THREAD SIZE M48

IP 44 SPLASHPROOF



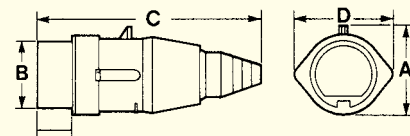
Amps	Pin. Configuration	200-250V 50-60Hz List No	380-415V 50-60Hz List No	Cable		Terminal Capacity* mm ²	Dimensions in mm		
				Diameter min	D mm max		A	B	C
63	2P+E	K9063 BLU 6		16.5	35	4 - 16	215	103	148
63	3P+E	K9065 BLU 9	K9066 RED 6	16.5	35	4 - 16	215	103	148
63	3P+N+E		K9071 RED 6	16.5	35	4 - 16	215	103	148

Earth Hour Position

*flexible conductors

Plugs ELV

IP 44 SPLASHPROOF



Amps	Pin. Configuration	25V 50-60Hz List No	50V 50-60Hz List No	25 & 50V 50-60Hz List No	Cable Diameter mm		Terminal Capacity* mm ²	Dimensions in mm			
					min	max		A	B	C	D
16	2P	K9018 VLT	K9020 WHI 12	K9022 WHI 10	7	24	4 - 10 and 2 x 6mm ²	55	42	145	62
16	3P	K9019 VLT	K9021 WHI 12		7	24	4 - 10 and 2 x 6mm ²	55	42	145	62

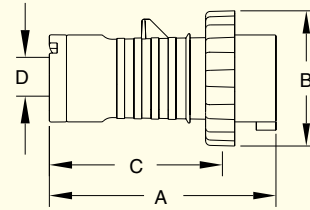
Minor Key Hour Position

*flexible conductors

technical hotline +44 (0)1268 563720

ingress protected | wiring devices

Plugs 16 and 32 Amp

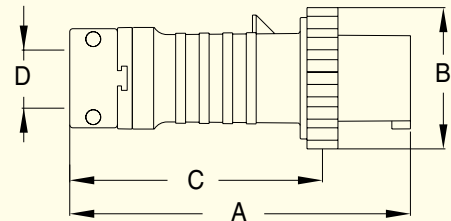
IP 67 WATERTIGHT


Amps	Pin. Configuration	100-130V 50-60Hz List No	200-250V 50-60Hz List No	380-415V 50-60Hz List No	Cable Dia. D mm		Terminal Capacity* mm ²	Terminal Dimensions in mm		
					min	max		A	B	C
16	2P+E	K9023 YEL 4	K9024 BLU 6		8.2	13	1 - 2.5	128	71	94
16	3P+E			K9025 RED 6	8.9	17	1 - 2.5	144	79	111
16	3P+N+E			K9026 RED 6	10.1	17	1 - 2.5	146	87	112
32	2P+E	K9053 YEL 4	K9054 BLU 6		11.7	21.5	2.5 - 6	147	94	105
32	3P+E			K9055 RED 6	11.7	21.5	2.5 - 6	147	94	105
32	3P+N+E			K9056 RED 6	14.2	21.5	2.5 - 6	161	101	119

Earth Hour Position

*flexible conductors

Plugs 63 and 125 Amp

IP 67 WATERTIGHT


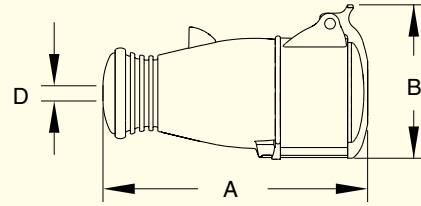
Amps	Pin. Configuration	100-130V 50-60Hz List No	200-250V 50-60Hz List No	380-415V 50-60Hz List No	440-460V 50-60Hz List No	480-500V 50-60Hz List No	Cable Dia. D mm		Terminal Capacity* mm ²	Dimensions in mm		
							min	max		A	B	C
63	2P+E	K9294 YEL 4	K9298 BLU 6				14	41	4 - 16	275	114	213
63	3P+E			K9282 RED 6	K9283 RED 11	K9284 BLK 7	16.5	41	4 - 16	275	114	213
63	3P+N+E			K9292 RED 6	K9293 RED 11		16.5	41	4 - 16	275	114	213
125	2P+E		K9099 BLU 6				24	48	16 - 50	313	130	242
125	3P+E			K9092 RED 6	K9093 RED 11		24	48	16 - 50	313	130	242
125	3P+N+E			K9097 RED 6			24	48	16 - 50	313	130	242

Earth Hour Position

*flexible conductors

Connectors 16 and 32 Amp

IP 44 SPLASHPROOF



Amps	Pin. Configuration	100-130V	200-250V	380-415V	440-460V	480-500V	Cable Dia. D mm		Terminal Capacity* mm ²	Dimensions in mm	
		50-60Hz List No	50-60Hz List No	50-60Hz List No	50-60Hz List No	50-60Hz List No	min	max		A	B
16	2P+E	K9100 YEL 4	K9101 BLU 6	K9102 RED 9			8.2	13	1 - 2.5	124	75
16	3P+E	K9105 YEL 4	K9106 BLU 9	K9107 RED 6	K9108 RED 11	K9109 BLK 7	8.9	17	1 - 2.5	150	85
16	3P+N+E	K9113 YEL 4	K9114 BLU 9	K9115 RED 6	K9116 RED 11		10.1	17	1 - 2.5	152	89
32	2P+E	K9132 YEL 4	K9133 BLU 6				11.7	21.5	2.5 - 6	171	93
32	3P+E	K9135 YEL 4	K9136 BLU 9	K9137 RED 6	K9138 RED 11	K9139 BLK 7	11.7	21.5	2.5 - 6	171	93
32	3P+N+E	K9142 YEL 4	K9143 BLU 9	K9144 RED 6	K9145 RED 11		14.2	21.5	2.5 - 6	171	99

Amps	Pin. Configuration	>50V	>50V	ISTRAN	>50-250V	Cable Dia. D mm		Terminal Capacity* mm ²	Dimensions in mm	
		100-300Hz List No	300-500Hz List No	50-60Hz List No	d.c. List No	min	max		A	B
16	2P+E			K9104 GRY 12	K9103 GRY 3	8.2	13	1 - 2.5	124	75
16	3P+E	K9110 GRN 10	K9111 GRN 2			8.9	17	1 - 2.5	150	85
16	3P+N+E		K9117 GRN 2			10.1	17	1 - 2.5	152	89
32	3P+N+E		K9146 GRN 2			14.2	21.5	2.5 - 6	171	99

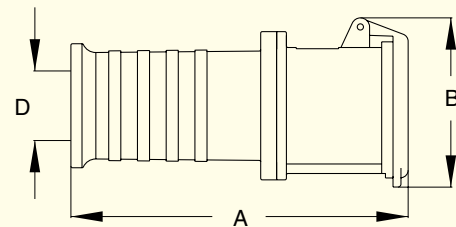
Earth Hour Position

*flexible conductors

Connectors 63 Amp

FITTED WITH CABLE ENTRY GLAND THREAD SIZE M48

IP 44 SPLASHPROOF



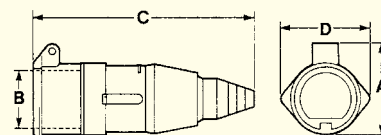
Amps	Pin. Configuration	200-250V	380-415V	Cable Dia. D mm		Terminal Capacity* mm ²	Dimensions in mm	
		50-60Hz List No	50-60Hz List No	min	max		A	B
63	2P+E	K9172 BLU 6		16.5	35	4 - 16	224	112
63	3P+E	K9164 BLU 9	K9165 RED 6	16.5	35	4 - 16	224	112
63	3P+N+E		K9170 RED 6	16.5	35	4 - 16	224	112

Earth Hour Position

*flexible conductors

Connectors ELV

IP 44 SPLASHPROOF

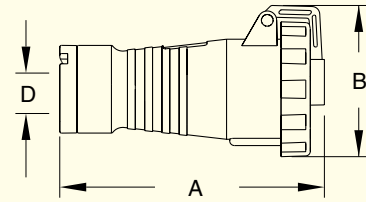


Amps	Pin. Configuration	25V	50V	25 & 50V	Cable Diameter mm		Terminal Capacity* mm ²	Dimensions in mm			
		50-60Hz List No	50-60Hz List No	50-60Hz List No	min	max		A	B	C	D
16	2P	K9118 VLT	K9120 WHI 12	K9122 WHI 10	7	24	4 - 10 and 2 x 6mm ²	67	43	158	62
16	3P	K9119 VLT	K9121 WHI 12		7	24	4 - 10 and 2 x 6mm ²	67	43	158	62

Minor Key Hour Position

*flexible conductors

Connectors 16 and 32 Amp

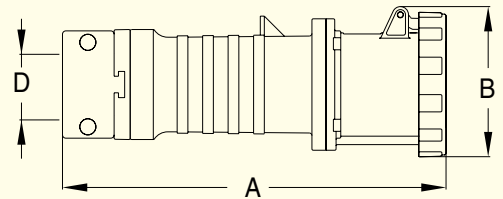
IP 67 WATERTIGHT


Amps	Pin. Configuration	100-130V 50-60Hz List No	200-250V 50-60Hz List No	380-415V 50-60Hz List No	Cable Dia. D mm		Terminal Capacity* mm ²	Dimensions in mm	
					min	max		A	B
16	2P+E	K9123 YEL 4	K9124 BLU 6		8.2	13	1 - 2.5	151	80
16	3P+E			K9125 RED 6	8.9	17	1 - 2.5	168	88
16	3P+N+E			K9126 RED 6	10.1	21.5	1 - 2.5	170	97
32	2P+E	K9155 YEL 4	K9156 BLU 6		11.7	21.5	2.5 - 6	177	102
32	3P+E			K9157 RED 6	11.7	21.5	2.5 - 6	177	102
32	3P+N+E			K9158 RED 6	14.2	21.5	2.5 - 6	182	109

Earth Hour Position

*flexible conductors

Connectors 63 and 125 Amp

IP 67 WATERTIGHT


Amps	Pin. Configuration	100-130V 50-60Hz List No	200-250V 50-60Hz List No	380-415V 50-60Hz List No	440-460V 50-60Hz List No	480-500V 50-60Hz List No	Cable Dia. D mm		Terminal Capacity* mm ²	Dimensions in mm	
							min	max		A	B
63	2P+E	K9855 YEL 4	K9856 BLU 6				14	41	4 - 16	286	111
63	3P+E			K9842 RED 6	K9843 RED 11	K9844 BLK 7	16.5	41	4 - 16	286	111
63	3P+N+E			K9852 RED 6	K9853 RED 11		16.5	41	4 - 16	286	111
125	2P+E		K9189 BLU 6				24	48	16 - 50	325	122
125	3P+E			K9182 RED 6	K9183 RED 11		24	48	16 - 50	325	122
125	3P+N+E			K9187 RED 6			24	48	16 - 50	325	122

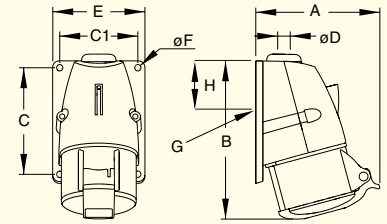
Earth Hour Position

*flexible conductors

Socket Outlets Angled Surface Mounting 16 and 32 Amp

TOP CONDUIT OR REAR CABLE ENTRY, COMPLETE WITH BLANKING PLUG

IP 44 SPLASHPROOF



Amps	Pin. Configuration	100-130V 50-60Hz List No	200-250V 50-60Hz List No	380-415V 50-60Hz List No	440-460V 50-60Hz List No	480-500V 50-60Hz List No	Terminal Capacity* mm ²	Dimensions in mm							Top Conduit Entry D	Rear Entry G
								A	B	C	C1	E	F	H		
16	2P+E	K9200 YEL 4	K9201 BLU 6	K9202 RED 9			1.5 - 4	91	117	75	54	66	5.5	30	M 20	Ø23
16	3P+E	K9205 YEL 4	K9206 BLU 9	K9207 RED 6	K9208 RED 11	K9209 BLK 7	1.5 - 4	100	132	91	67	79	5.5	30	M 20	Ø23
16	3P+N+E	K9213 YEL 4	K9214 BLU 9	K9215 RED 6	K9216 RED 11		1.5 - 4	104	134	91	67	79	5.5	30	M 20	Ø23
32	2P+E	K9232 YEL 4	K9233 BLU 6				2.5 - 10	118	163	111	72	85	5.5	33	M 25	Ø29
32	3P+E	K9235 YEL 4	K9236 BLU 9	K9237 RED 6		K9238 BLK 7	2.5 - 10	116	163	111	72	85	5.5	33	M 25	Ø29
32	3P+N+E	K9239 YEL 4	K9240 BLU 9	K9241 RED 6	K9242 RED 11		2.5 - 10	121	164	111	72	85	5.5	33	M 25	Ø29

Amps	Pin. Configuration	>50V 100-300Hz List No	>50V 300-500Hz List No	ISTRAN 50-60Hz List No	>50-250V d.c. List No	Terminal Capacity* mm ²	Dimensions in mm							Top Conduit Entry D	Rear Entry G
							A	B	C	C1	E	F	H		
16	2P+E			K9204 GRV 12	K9203 GRV 3	1.5 - 4	91	117	75	54	66	5.5	30	M 20	Ø23
16	3P+E	K9210 GRN 10	K9211 GRN 2			1.5 - 4	100	132	91	67	79	5.5	30	M 20	Ø23
16	3P+N+E		K9252 GRN 2			1.5 - 4	104	134	91	67	79	5.5	30	M 20	Ø23
32	3P+N+E		K9258 GRN 2			2.5 - 10	121	164	111	72	85	5.5	33	M 25	Ø29

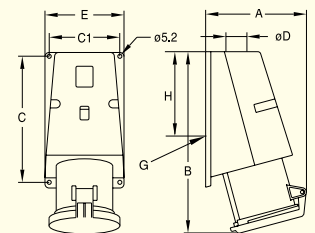
Earth Hour Position

*Solid or Stranded conductors

Socket Outlets Angled Surface Mounting 63 Amp

TOP CONDUIT OR REAR CABLE ENTRY, COMPLETE WITH BLANKING PLUG

IP 44 SPLASHPROOF



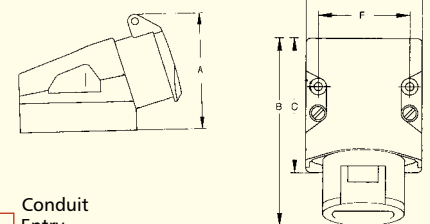
Amps	Pin. Configuration	200-250V 50-60Hz List No	380-415V 50-60Hz List No	Terminal Capacity* mm ²	Dimensions in mm					Conduit Entry D	Rear Entry G	
					A	B	C	C1	E			H
63	2P+E	K9274 BLU 6		4 - 16	136	254	170	95	107	67	M32	Ø35
63	3P+E	K9264 BLU 9	K9265 RED 6	4 - 16	136	254	170	95	107	67	M32	Ø35
63	3P+N+E		K9269 RED 6	4 - 16	136	254	170	95	107	67	M32	Ø35

Earth Hour Position

*Solid or Stranded conductors

Socket Outlets Angled Surface Mounting Elv

IP 44 SPLASHPROOF



Amps	Pin. Configuration	25V 50-60Hz List No	50V 50-60Hz List No	25 & 50V 50-60Hz List No	Terminal Capacity* mm ²	Dimensions in mm					Conduit Entry
						A	B	C	D	F	
16	2P	K9253 VLT	K9255 WHI 12	K9257 WHI 10	4 - 10 and 2 x 6mm ²	81	113	80	70	55	M25
16	3P	K9254 VLT	K9256 WHI 12		4 - 10 and 2 x 6mm ²	81	113	80	70	55	M25

Minor Key Hour Position

*Solid or Stranded conductors

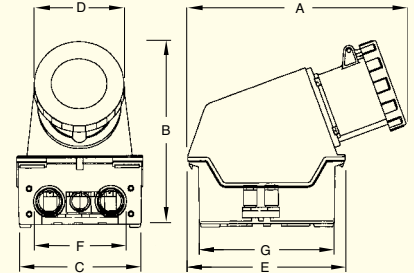
Socket Outlets Angled Surface Mounting 63 Amp

IP 67 WATERTIGHT

Amps	Pin. Configuration	200-250V 50-60Hz List No	380-415V 50-60Hz List No	Terminal Capacity* mm ²	Dimensions in mm				Fixing Centres	
					A	B	C	E	F	G
63	2P+E	K9857 BLU 6		6 - 25	255	185	150	158	129	124
63	3P+E		K9858 RED 6	6 - 25	255	185	150	158	129	124
63	3P+N+E		K9859 RED 6	6 - 25	255	185	150	158	129	124

Earth Hour Position

*Solid or Stranded conductors

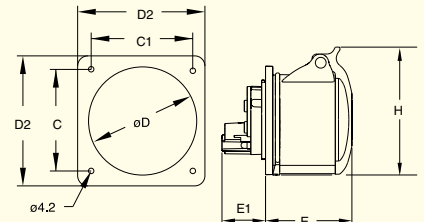


Socket Outlets Straight Panel Mounting 16 and 32 Amp

ALL FLANGES HAVE THE SAME FIXING CENTRES AND OUTSIDE DIMENSIONS TO ASSIST PANEL BUILDING. SEE BELOW FOR MINIMISED FLANGE OPTION.

IP 44 SPLASHPROOF

Amps	Pin. Configuration	100-130V 50-60Hz List No	200-250V 50-60Hz List No	380-415V 50-60Hz List No	440-460V 50-60Hz List No	Terminal Capacity* mm ²	Dimensions in mm						
							C	C1	D	D2	E	E1	H
16	2P+E	K9400 YEL 4	K9401 BLU 6			1.5 - 4	60-61	60-61	49	75	56	29	79
16	3P+E	K9405 YEL 4	K9406 BLU 9	K9407 RED 6		1.5 - 4	60-61	60-61	59	75	58	30	87
16	3P+N+E	K9413 YEL 4	K9414 BLU 9	K9415 RED 6	K9416 RED 11	1.5 - 4	60-61	60-61	59	75	60	31	89
32	2P+E	K9432 YEL 4	K9433 BLU 6			2.5 - 10	60-61	60-61	66	75	70	34	93
32	3P+E	K9435 YEL 4		K9437 RED 6		2.5 - 10	60-61	60-61	66	75	70	34	93
32	3P+N+E		K9444 BLU 9	K9445 RED 6	K9446 RED 11	2.5 - 10	60-61	60-61	66	75	70	34	93



Amps	Pin. Configuration	>50V 100-300Hz List No	>50V 300-500Hz List No	ISTRAN 50-60Hz List No	>50-250V d.c. List No	Terminal Capacity* mm ²	Dimensions in mm						
							C	C1	D	D2	E	E1	H
16	2P+E			K9404 GRY 12	K9403 GRY 3	1.5 - 4	60-61	60-61	49	75	56	29	79
16	3P+E	K9410 GRN 10	K9411 GRN 2			1.5 - 4	60-61	60-61	59	75	58	30	87
16	3P+N+E		K9417 GRN 2			1.5 - 4	60-61	60-61	59	75	60	31	89
32	3P+N+E		K9447 GRN 2			2.5 - 10	60-61	60-61	66	75	70	34	93

Earth Hour Position

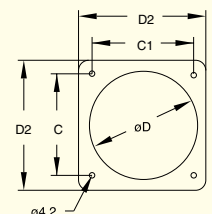
*Solid or Stranded conductors

Minimised Flange For Straight Panel Mounting 16 Amp Outlets

NOTE: FIXING CENTRES COMPATIBLE WITH NON K SERIES PRODUCT

IP 44 SPLASHPROOF

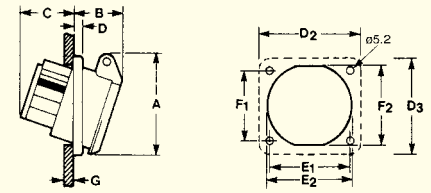
Amps	Pin. Configuration	List No	Dimensions in mm			
			C	C1	D	D2
16	2P+E	K9996	44-47	44-47	49	56
16	3P+E, 3P+N+E	K9997	50-52	50-52	59	66



Socket Outlets Angled Panel Mounting ELV

IP 44 SPLASHPROOF

Amps	Pin. Configuration	25V 50-60Hz List No	50V 50-60Hz List No	25 & 50V 50-60Hz List No	Terminal Capacity* mm ²	Dimensions in mm										
						A	B	C	D	E1	E2	F1	F2	G max	D2	D3
16	2P	K9518 VLT	K9520 WHI 12	K9522 WHI 10	4 - 10 and 2 x 6mm ²	68	34	36	6	47	52	53	50	7	62	68
16	3P	K9519 VLT	K9521 WHI 12		4 - 10 and 2 x 6mm ²	68	34	36	6	47	52	53	50	7	62	68



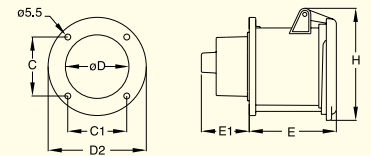
Minor Key Hour Position

*Solid or Stranded conductors

Socket Outlets Straight Panel Mounting 63 Amp

IP 44 SPLASHPROOF

Amps	Pin. Configuration	200-250V 50-60Hz List No	380-415V 50-60Hz List No	Terminal Capacity* mm ²	Dimensions in mm							
					C	C1	D	D2	E	E1	H	
63	2P+E	K9472 BLU 6		4 - 16	61	61	70	98	89	48	112	
63	3P+E		K9465 RED 6	4 - 16	61	61	70	98	89	48	112	
63	3P+N+E		K9470 RED 6	4 - 16	61	61	70	98	89	48	112	



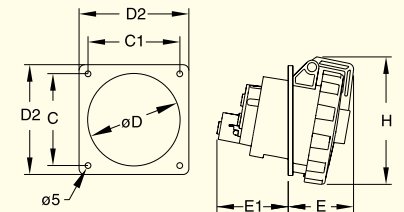
Earth Hour Position

*Solid or Stranded conductors

Socket Outlets Angled Panel Mounting 16 and 32 Amp

IP 67 WATERTIGHT

Amps	Pin. Configuration	100-130V 50-60Hz List No	200-250V 50-60Hz List No	380-415V 50-60Hz List No	Terminal Capacity* mm ²	Dimensions in mm							
						C	C1	D	D2	E	E1	H	
16	2P+E	K9802 YEL 4	K9803 BLU 6		1 - 2.5	79.5	79.5	83	95	45	57	95	
16	3P+E			K9807 RED 6	1 - 2.5	79.5	79.5	83	95	45	57	95	
16	3P+N+E			K9815 RED 6	1 - 2.5	79.5	79.5	83	95	47	57	99	
32	2P+E	K9865 YEL 4	K9866 BLU 6		2.5 - 6	79.5	79.5	83	95	56	61	104	
32	3P+E			K9870 RED 6	2.5 - 6	79.5	79.5	83	95	56	61	104	
32	3P+N+E			K9873 RED 6	2.5 - 6	79.5	79.5	83	95	56	62	111	



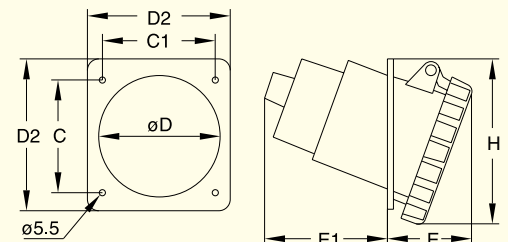
Earth Hour Position

*Solid or Stranded conductors

Socket Outlets Angled Panel Mounting 63 Amp

IP 67 WATERTIGHT

Amps	Pin. Configuration	200-250V 50-60Hz List No	380-415V 50-60Hz List No	Terminal Capacity* mm ²	Dimensions in mm							
					C	C1	D	D2	E	E1	H	
63	2P+E	K9825 BLU 6		6 - 25	84	80	78	104	61	86	115	
63	3P+E		K9582 RED 6	6 - 25	84	80	78	104	61	86	115	
63	3P+N+E		K9592 RED 6	6 - 25	84	80	78	104	61	86	115	



Earth Hour Position

*Solid or Stranded conductors

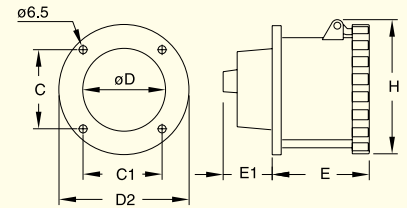
Socket Outlets Straight Panel Mounting 63 and 125 Amp

IP 67 WATERTIGHT

Amps	Pin. Configuration	200-250V 50-60Hz List No	380-415V 50-60Hz List No	Terminal Capacity* mm ²	Dimensions in mm							
					C	C1	D	D2	E	E1	H	
63	2P+E	K9828 BLU 6		6 - 25	61	61	70	98	89	48	111	
63	3P+E		K9812 RED 6	6 - 25	61	61	70	98	89	48	111	
63	3P+N+E		K9822 RED 6	6 - 25	61	61	70	98	89	48	111	
125	2P+E	K9483 BLU 6		25 - 70	71	71	88	115	100	58	122	
125	3P+E		K9481 RED 6	25 - 70	71	71	88	115	100	58	122	
125	3P+N+E		K9482 RED 6	25 - 70	71	71	88	115	100	58	122	

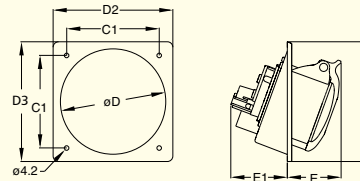
Earth Hour Position

*Solid or Stranded conductors



Socket Outlets Angled Panel Mounting 16 and 32 Amp (NEWRANGE)

IP44 Outlet Angled Panel Mounted can only be installed recessed
Note: Fixing centres differ from old range



IP 44 SPLASHPROOF

Amps	Pin. Configuration	100-130V 50-60Hz List No	200-250V 50-60Hz List No	380-415V 50-60Hz List No	440-460V 50-60Hz List No	Terminal Capacity* mm ²	Dimensions in mm							
							C	C1	D	D2	D3	E	E1	H
16	2P+E	K9767 YEL 4	K9771 BLU 6	K9777 RED 9		1.5 - 4	55	55	63	70	78	53	42	76
16	3P+E		K9772 BLU 9	K9778 RED 6	K9753 RED 11	1.5 - 4	66	66	78	83	89	53	46	85
16	3P+N+E		K977 BLU 9	K9779 RED 6	K9754 RED 11	1.5 - 4	66	66	78	83	89	55	48	89
32	2P+E	K9769 YEL 4	K9774 BLU 6			2.5 - 10	75	75	87	93	99	61	52	98
32	3P+E			K9751 RED 6	K9755 RED 11	2.5 - 10	75	75	87	93	99	61	52	98
32	3P+N+E		K9776 BLU 9	K9752 RED 6		2.5 - 10	75	75	87	93	99	64	52	101

Earth Hour Position

*Solid or Stranded conductors

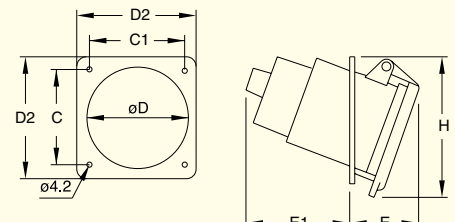
Socket Outlets Angled Panel Mounting 63 Amp

IP 44 SPLASHPROOF

Amps	Pin. Configuration	220-250V 50-60Hz List No	380-415V 50-60Hz List No	Terminal Capacity* mm ²	Dimensions in mm							
					C	C1	D	D2	E	E1	H	
63	2P+E	K9544 BLU 6		6 - 25	84	80	92	104	62	95	111	
63	3P+E		K9565 RED 6	6 - 25	84	80	92	104	62	95	111	
63	3P+N+E		K9570 RED 6	6 - 25	84	80	92	104	62	95	111	

Earth Hour Position

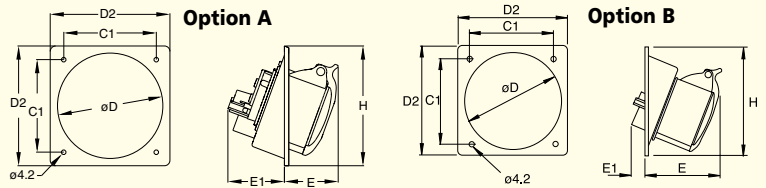
*Solid or Stranded conductors



Socket Outlets Angled Panel Mounting 16 and 32 Amp (OLDRANGE)

IP 44 SPLASHPROOF

IP44 Outlet Angled Panel Mounted can be installed in two ways, recessed (option A) or protruding (Option B). The flange is supplied loose to enable installer to select option at time of installation. NOTE: with option B terminations must be made prior to mounting outlet to flange.



Amps	Pin. Configuration	100-130V 50-60Hz List No	200-250V 50-60Hz List No	380-415V 50-60Hz List No	440-460V 50-60Hz List No	Terminal Capacity* mm ²	Option A Dimensions in mm								Option B Dimensions in mm							
							C	C1	D	D2	E	E1	H	C	C1	D	D2	E	E1	H		
16	2P+E	K9500 YEL 4	K9501 BLU 6	K9502 RED 9		1.5 - 4	65	65	76.5	85	51	44	86	65	65	76.5	85	68	23	86		
16	3P+E		K9506 BLU 9	K9507 RED 6	K9508 RED 11	1.5 - 4	75	75	91	100	52	46	100	75	75	91	100	70	23	100		
16	3P+N+E		K9514 BLU 9	K9515 RED 6	K9516 RED 11	1.5 - 4	75	75	91	100	54	48	100	75	75	91	100	74	23	100		
32	2P+E	K9532 YEL 4	K9533 BLU 6			2.5 - 10	85	85	98	110	61	53	110	85	85	98	110	88	25	110		
32	3P+E			K9538 RED 6	K9539 RED 11	2.5 - 10	85	85	98	110	61	53	110	85	85	98	110	88	25	110		
32	3P+N+E		K9542 BLU 9	K9543 RED 6		2.5 - 10	85	85	98	110	63	54	110	85	85	98	110	88	25	110		

Amps	Pin. Configuration	>50V 100-300Hz List No	>50V 300-500Hz List No	ISTRAN 50-60Hz List No	Terminal Capacity* mm ²	Option A Dimensions in mm								Option B Dimensions in mm							
						C	C1	D	D2	E	E1	H	C	C1	D	D2	E	E1	H		
16	2P+E			K9504 GRY 12	1.5 - 4	65	65	76.5	85	51	44	86	65	65	76.5	85	68	23	86		
16	3P+E	K9510 GRN 10			1.5 - 4	75	75	91	100	52	46	100	75	75	91	100	70	23	100		

⚡ Earth Hour Position

*Solid or Stranded conductors

How to order old range:

Order equivalent straight panel mounting socket outlet and suitable flange. Remove flange supplied with socket and replace with suitable flange. Note: see below for flange details

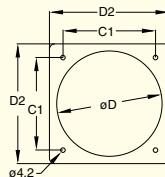
K9500 YEL	=	K9400 YEL	+	K9981	K9507 RED	=	K9407 RED	+	K9982
K9532 YEL	=	K9432 YEL	+	K9983	K9515 RED	=	K9415 RED	+	K9982
K9501 BLU	=	K9401 BLU	+	K9981	K9538 RED	=	K9437 RED	+	K9983
K9506 BLU	=	K9406 BLU	+	K9982	K9543 RED	=	K9445 RED	+	K9983
K9514 BLU	=	K9414 BLU	+	K9982	K9516 RED	=	K9146 RED	+	K9983
K9533 BLU	=	K9433 BLU	+	K9983	K9510 GRN	=	K9410 GRN	+	K9982
K9542 BLU	=	K9444 BLU	+	K9983	K95004 GRY	=	K9404 GRY	+	K9981

Alternate Flange for Socket Outlets Angled Panel Mounting 16 and 32 Amp

Note: Fixing centres not compatible with new product range

IP 44 SPLASHPROOF

Amps	Pin. Configuration	List No	Dimensions in mm			
			C	C1	D	D2
16	2P+E	K9981	85	85	46	110
16	3P+E, 3P+N+E	K9982	85	85	59	110
32	2P+E, 3P+E, 3P+N+E	K9983	85	85	64	110



technical hotline +44 (0)1268 563720

ingress protected | wiring devices

Switchsocket Outlets Angled Surface Mounting 16 Amp

IP 44 SPLASHPROOF

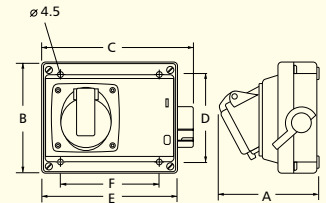
Switch Utilisation Category AC 22A

With two M20 x 1.5mm threaded conduit entries and one x 18mm knockout in both top and bottom. Supplied with blanking plugs/cable entry

Amps	Pin. Configuration	100-130V 50-60Hz List No	200-250V 50-60Hz List No	380-415V 50-60Hz List No	Terminal Capacity* mm ²	Dimensions in mm				Fixing Centres	
						A	B	C	E	F	D
16	2P+E	K9912 YEL 4	K9193 BLV 6	K9914 RED 9	1.5 - 4	108	112	156	139	101	95
16	3P+E		K9919 BLU 9	K9920 RED 6	1.5 - 4	115	112	156	139	101	95

Earth Hour Position

*Solid or Stranded conductors



Switchsocket Outlets Interlocked Angled Surface Mounting 16, 32 and 63 Amp Aluminium Alloy

SWITCH CAN BE LOCKED IN OPEN OR CLOSED POSITION

IP 44 SPLASHPROOF

ALUMINIUM ALLOY ENCLOSURE.

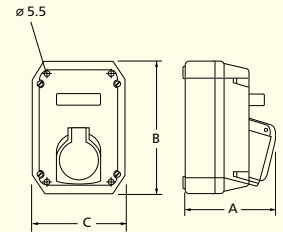
16 amp and 32 amp

 Will accept auxiliary contact eg. 6813 and 6814
M32/M25 conduit entry, with mounting for FL9 flange plate

63 amp

M40 conduit entry with mounting for FL 13 flange plate

Switch Utilisation Category AC 22A



Amps	Pin. Configuration	100-130V 50-60Hz List No	200-250V 50-60Hz List No	380-415V 50-60Hz List No	440-460V 50-60Hz List No	480-500V 50-60Hz List No	>50V >300-500Hz List No	Terminal Capacity* mm ²	Dimensions in mm			Fixing Centres
									A	B	C	
16	3P+E	K9600 YEL 4	K9601 BLU 9	K9602 RED 6	K9603 RED 11	K9604 BLK 7	K9605 GRN 2	1.5 - 10	125	198	135	91.5 x 165
16	3P+N+E	K9606 YEL 4	K9607 BLU 9	K9608 RED 6				1.5 - 10	125	198	135	91.5 x 165
32	3P+E	K9632 YEL 4	K9633 BLU 9	K9634 RED 6	K9635 RED 11	K9636 BLK 7		1.5 - 10	135	198	135	91.5 x 165
32	3P+N+E	K9638 YEL 4	K9639 BLU 9	K9640 RED 6	K9641 RED 11			1.5 - 10	135	198	135	91.5 x 165
63	3P+E		K9664 BLU 9	K9665 RED 6				6 - 25	183	228	165	91.5 x 201
63	3P+N+E			K9670 RED 6				6 - 25	183	228	165	91.5 x 201

Earth Hour Position

*Solid or Stranded conductors

Switchsocket Outlets Interlocked Angled Conduit Entry Surface Mounting 16, 32 and 63 Amp

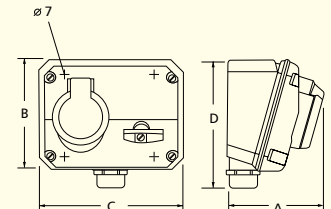
IP 44 SPLASHPROOF
16 amp and 32 amp

With 29mm knockout at top. Will accept FL13 flange. Bottom entry M25.

63 amp

FL13 flange entry at top. Supplied with cover plate and gland plate.

Switch Utilisation Category AC 22A



Amps	Pin. Configuration	100-130V 50-60Hz List No	200-250V 50-60Hz List No	380-415V 50-60Hz List No	Terminal Capacity* mm ²	Dimensions in mm			Fixing Centres	Conduit Entry
						A	B	C		
16	2P+E	K9609 YEL 4	K9610 BLU 6		1.5 - 10	116	129	168	125 x 91	M25
16	3P+E			K9611 RED 6	1.5 - 10	116	129	168	125 x 91	M25
16	3P+N+E			K9612 RED 6	1.5 - 10	116	129	168	125 x 91	M25
32	2P+E	K9642 YEL 4	K9643 BLU 6		1.5 - 10	126	129	168	125 x 91	M25
32	3P+E			K9644 RED 6	1.5 - 10	126	129	168	125 x 91	M25
32	3P+N+E			K9645 RED 6	1.5 - 10	126	129	168	125 x 91	M25
63	2P+E		K9306 BLU 6		6 - 25	168	168	206	152 x 132	2 x 32mm
63	3P+E		K9311 BLU 9	K9312 RED 6	6 - 25	168	168	206	152 x 132	2 x 32mm
63	3P+N+E			K9322 RED 6	6 - 25	168	168	206	152 x 132	2 x 32mm

Earth Hour Position

*Solid or Stranded conductors

Switchsocket Outlets Interlocked Angled Surface Mounting 16, 32 and 63 Amp

IP 67 WATERTIGHT

16 amp and 32 amp

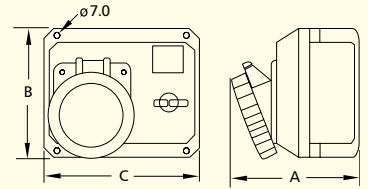
With 25mm dia. knockout at top. Will accept FL13 flange.
Bottom entry M25.

63 amp


With 32mm knockouts top and bottom. Will accept FL13 flange
top and bottom.

Switch can be locked in open position or closed position.

Switch Utilisation Category AC 22A



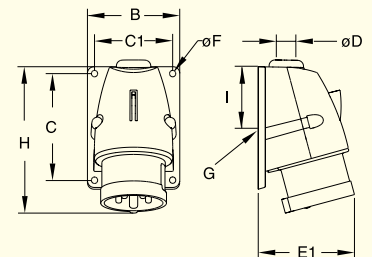
Amps	Pin. Configuration	100-130V 50-60Hz List No	200-250V 50-60Hz List No	380-415V 50-60Hz List No	440-460V 50-60Hz List No	480-500V 50-60Hz List No	Terminal Capacity* mm ²	Dimensions in mm			Fixing Centres	Conduit Entry
								A	B	C		
16	2P+E		K9324 BLU 6				1.5 - 10	126	129	168	125 x 91	M25
16	3P+E			K9327 RED 6			1.5 - 10	126	129	168	125 x 91	M25
16	3P+N+E			K9330 RED 6			1.5 - 10	126	129	168	125 x 91	M25
32	2P+E		K9369 BLU 6				1.5 - 10	136	129	168	125 x 91	M25
32	3P+E			K9359 RED 6			1.5 - 10	136	129	168	125 x 91	M25
32	3P+N+E			K9362 RED 6			1.5 - 10	136	129	168	125 x 91	M25
63	2P+E	K9356 YEL 4	K9355 BLU 6				6 - 25	182	168	206	152 x 132	2 x 32mm
63	3P+E			K9342 RED 6	K9343 RED 11	K9344 BLK 6	6 - 25	182	168	206	152 x 132	2 x 32mm
63	3P+N+E			K9352 RED 6	K9353 RED 11		6 - 25	182	168	206	152 x 132	2 x 32mm

 Earth Hour Position


*Solid or Stranded conductors

Splashproof Appliance Inlets Angled Surface Mounting 16 and 32 Amp

TOP CONDUIT OR REAR CABLE ENTRY, COMPLETE WITH BLANKING PLUG

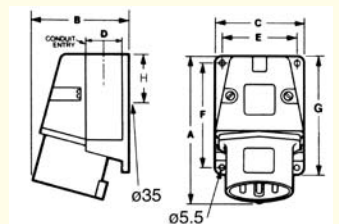
IP 44 SPLASHPROOF


Amps	Pin. Configuration	100-130V 50-60Hz List No	200-250V 50-60Hz List No	380-415V 50-60Hz List No	480-500V 50-60Hz List No	Cable Diameter		Terminal Capacity* mm ²	Dimensions in mm								Top Conduit Entry D	Rear Entry G
						min	max		B	C	C1	E1	F	H	I			
16	2P+E	K9700 YEL 4	K9701 BLU 6			8.2	14	1.5 - 10	66	75	54	72	5.5	110	30	M20	Ø23	
16	3P+E			K9706 RED 6	K9707 BLK 7	8.9	16.5	1.5 - 10	79	91	67	78	5.5	124	30	M20	Ø23	
16	3P+N+E	K9709 YEL 4	K9710 BLU 9	K9711 RED 6		10.1	16.5	1.5 - 10	79	91	67	81	5.5	125	30	M20	Ø23	
32	2P+E	K9732 YEL 4	K9733 BLU 6			11.7	19.5	1.5 - 10	85	111	72	94	5.5	153	33	M25	Ø29	
32	3P+E			K9736 RED 6	K9737 BLK 7	11.7	19.5	1.5 - 10	85	111	72	94	5.5	153	33	M25	Ø29	
32	3P+N+E		K9740 BLU 9	K9741 RED 6		11.7	19.5	1.5 - 10	85	111	72	96	5.5	154	33	M25	Ø29	


 Earth Hour Position

*Solid or Stranded conductors

Appliance Inlets Angled Surface Mounting 63Amp

IP 44 SPLASHPROOF


Amps	Pin. Configuration	200-250V 50-60Hz List No	380-415V 50-60Hz List No	Cable Diameter		Terminal Capacity* mm ²	Dimensions in mm								Conduit Entry	Rear Entry
				min	max		A	B	C	D	E	F	G	H		
63	2P+E	K9775 BLU 6		14	30	6 - 25	225	117	106	M32	95	170	182	67	M32	Ø35
63	3P+N+E		K9768 RED 6	16.5	30	6 - 25	225	117	106	M32	95	170	182	67	M32	Ø35

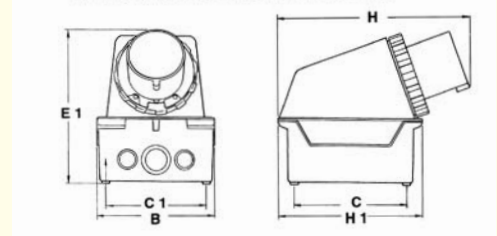
 Earth Hour Position

*Solid or Stranded conductors

Appliance Inlets Angled Surface Mounting 63Amp

IP 67 WATERTIGHT

Amps	Pin Configuration	200-250V 50-60Hz List No	380-415V 50-60Hz List No	Terminal Capacity* mm ²	Dimensions in mm						Conduit Entry
					B	C	C1	E1	H	H1	
63	2P+E	K9826 BLU 6		6 - 25	150	124	129	205	250	186	1 x M40/M32 and 2 x M20 top 2 x M40/M32 and 1 x M20 bottom Will accept FL13 Flange top and bottom
63	3P+E		K9829 RED 6	6 - 25	150	124	129	205	250	186	
63	3P+N+E		K9827 RED 6	6 - 25	150	124	129	205	250	186	



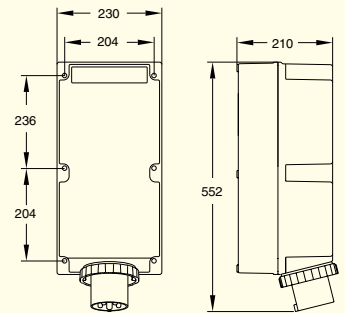
Earth Hour Position

*Solid or Stranded conductors

Appliance Inlets Surface Mounting 125 Amp

IP 67 WATERTIGHT

Amps	Pin Configuration	200-250V 50-60Hz List No	380-415V 50-60Hz List No	Terminal Capacity* mm ²	Conduit Entry
125	2P+E	K9883 BLU 6		16 - 70	2 x 23/47mm top and bottom
125	3P+N+E		K9884 RED 6	16 - 70	2 x 23/47mm top and bottom



Earth Hour Position

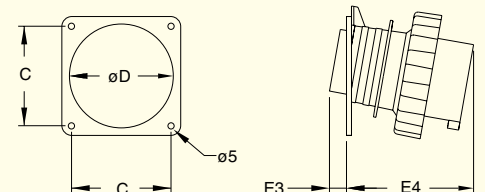
*Solid or Stranded conductors

Appliance Inlets Panel Mounting 16, 32, 63 and 125 Amp

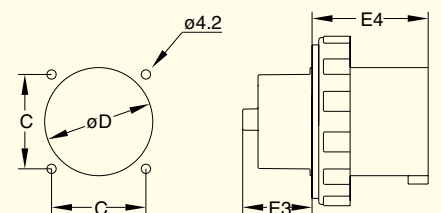
IP 67 WATERTIGHT

Amps	Pin Configuration	100-130V 50-60Hz List No	200-250V 50-60Hz List No	380-415V 50-60Hz List No	Terminal Capacity* mm ²	Dimensions in mm			
						C	D	E3	E4
16	2P+E	K9780 YEL 4	K9781 BLU 6		1.5 - 4	C	D	E3	E4
16	3P+E			K9782 RED 6	1.5 - 4	79.5	83	10	47
16	3P+N+E			K9783 RED 6	1.5 - 4	79.5	83	10	53
32	2P+E	K9784 YEL 4	K9785 BLU 6		2.5 - 10	79.5	83	10	59
32	3P+E			K9786 RED 6	2.5 - 10	79.5	83	12	60
32	3P+N+E			K9787 RED 6	2.5 - 10	79.5	83	12	60
63	2P+E	K9788 YEL 4	K9789 BLU 6		6 - 25	79.5	83	12	67
63	3P+E			K9790 RED 6	6 - 25	61	70	50	80
63	3P+N+E			K9791 RED 6	6 - 25	61	70	50	80
125	2P+E		K9792 BLU 6		16 - 70	61	70	50	80
125	3P+N+E			K9793 RED 6	16 - 70	71	81	56	89

16 AND 32 AMP



63 AND 125 AMP



Earth Hour Position

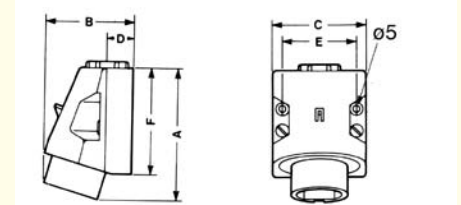
*Solid or Stranded conductors

Appliance Inlets Surface Mounting ELV

IP 44 SPLASHPROOF

Amps	Pin. Configuration	25V 50-60Hz List No	Terminal Capacity* mm ² (flexible conductors)	Dimensions in mm						Conduit Entry
				A	B	C	D	E	F	
16	2P	K9725 VLT	4 - 10 and 2 x 6mm ²	100	66	70	20	55	80	M25
16	3P	K9726 VLT	4 - 10 and 2 x 6mm ²	100	66	70	20	55	80	M25


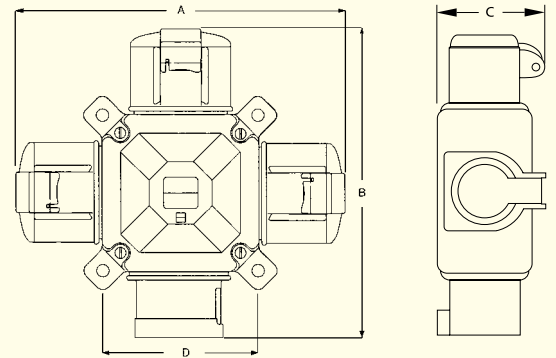
*Solid or Stranded conductors



Three Way Adaptor 16 Amp

IP 44 SPLASHPROOF


Amps	Pin. Configuration	100-130V 50-60Hz List No	200-250V 50-60Hz List No	380-415V 50-60Hz List No	Dimensions in mm			
					A	B	C	D
16	2P+E	K9907 YEL 4	K9908 BLU 6		198	189	74	99
16	3P+E			K9910 RED 6	202	190	81	99
16	3P+N+E			K9911 RED 6	205	192	85	99

 Earth Hour Position


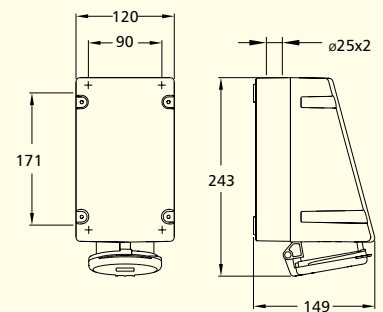
Socket Outlets Loop in Surface Mounting 16 and 32 Amp

IP 44 SPLASHPROOF

Amps	Pin. Configuration	100-130V 50-60Hz List No	200-250V 50-60Hz List No	380-415V 50-60Hz List No	Cable Entry Knockouts	Terminal Capacity* mm ²	Fixing Centres mm
16	2P+E	K13200 YEL 4	K13201 BLU 6		2 x Ø25 top	2 x (1.5-10)	90 x 170
16	3P+E			K13207 RED 6	2 x Ø25 top	2 x (1.5-10)	90 x 170
16	3P+N+E			K13215 RED 6	2 x Ø25 top	2 x (1.5-10)	90 x 170
32	2P+E	K13232 YEL 4	K13233 BLU 6		2 x Ø25 top	2 x (2.5-10)	90 x 170
32	3P+E			K13237 RED 6	2 x Ø25 top	2 x (2.5-10)	90 x 170
32	3P+N+E			K13241 RED 6	2 x Ø25 top	2 x (2.5-10)	90 x 170

 Earth Hour Position

*Solid or Stranded conductors



technical hotline +44 (0)1268 563720

ingress protected | wiring devices

Switchsocket Outlets Interlocked Surface Mounting 16 and 32 Amp

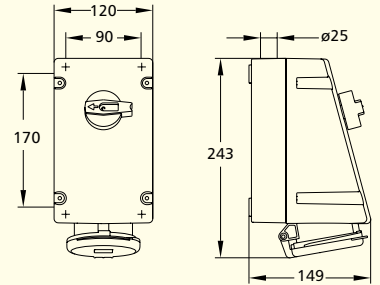
(SUITABLE FOR TOP ENTRY)

IP 44 SPLASHPROOF

Amps	Pin. Configuration	100-130V 50-60Hz List No	200-250V 50-60Hz List No	380-415V 50-60Hz List No	Cable Entry Knockouts	Terminal Capacity* mm ²	Fixing Centres mm
16	2P+E	K13600 YEL 4	K13601 BLU 6		2 x Ø25 top	1.5 - 4	90 x 170
16	3P+E			K13607 RED 6	2 x Ø25 top	1.5 - 4	90 x 170
16	3P+N+E			K13615 RED 6	2 x Ø25 top	1.5 - 4	90 x 170
32	2P+E	K13632 YEL 4	K13633 BLU 6		2 x Ø25 top	2.5 - 10	90 x 170
32	3P+E			K13637 RED 6	2 x Ø25 top	2.5 - 10	90 x 170
32	3P+N+E			K13641 RED 6	2 x Ø25 top	2.5 - 10	90 x 170

Earth Hour Position

*Solid or Stranded conductors



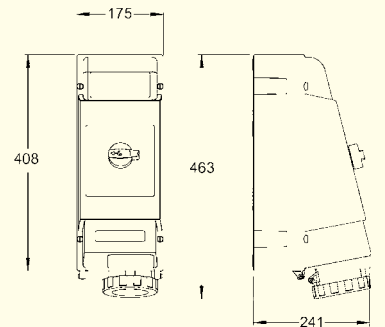
Switchsocket Outlets Interlocked Surface Mounting 16 and 32 Amp

IP 67 WATERTIGHT

Amps	Pin. Configuration	100-130V 50-60Hz List No	200-250V 50-60Hz List No	380-415V 50-60Hz List No	Cable Entry Knockouts	Terminal Capacity* mm ²	Fixing Centres mm
16	2P+E	K13623 YEL 4	K13624 BLU 6		2 x Ø25 top	1.5 - 4	90 x 170
16	3P+E			K13625 RED 6	2 x Ø25 top	1.5 - 4	90 x 170
16	3P+N+E			K13626 RED 6	2 x Ø25 top	1.5 - 4	90 x 170
32	2P+E	K13653 YEL 4	K13654 BLU 6		2 x Ø25 top	2.5 - 10	90 x 170
32	3P+E			K13655 RED 6	2 x Ø25 top	2.5 - 10	90 x 170
32	3P+N+E			K13656 RED 6	2 x Ø25 top	2.5 - 10	90 x 170

Earth Hour Position

*Solid or Stranded conductors



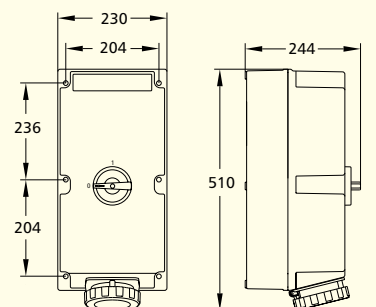
Switchsocket Outlets Interlocked Surface Mounting 125 Amp

IP 67 WATERTIGHT

Amps	Pin. Configuration	200-250V 50-60Hz List No	380-415V 50-60Hz List No	440-460V 60Hz List No	Cable Entry Knockouts	Terminal Capacity* mm ²
125	2P+E	K9688 BLU 6			2 x 23/47mm top and bottom	16 - 70
125	3P+E		K9691 RED 6	K9692 RED 11	2 x 23/47mm top and bottom	16 - 70
125	3P+N+E		K9694 RED 6		2 x 23/47mm top and bottom	16 - 70

Earth Hour Position

*Solid or Stranded Conductors



Switch Utilisation Category AC 22A

Will accept auxiliary contacts 6813 and 6814

Switch can be locked in open or closed position.

Switch Utilisation Category AC 22A

Will accept auxiliary contacts 6813 and 6814

Switch can be locked in open or closed position.

Switch Utilisation Category AC 22A

Will accept auxiliary contacts 6813 and 6814

Switch can be locked in open or closed position.


Socket Outlets Surface Mounting 16 and 32 Amp

SUITABLE FOR TOP ENTRY

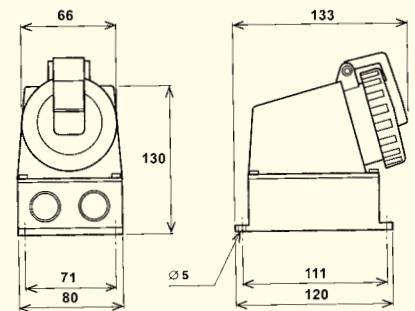
IP 67 WATERTIGHT

STANDARD VERSION (see Dimensions A)

Amps	Pin. Configuration	100-130V 50-60Hz List No	220-250V 50-60Hz List No	380-415V 50-60Hz List No	Terminal Capacity* mm ²	Cable Entry Knockouts		Fixing Centres mm
						top	bottom	
16	2P+E	K9193 YEL 4	K9194 BLU 6		1 - 2.5	2 x Ø25	2 x Ø20	71 x 111
16	3P+E			K9763 RED 6	1 - 2.5	2 x Ø25	2 x Ø20	71 x 111
16	3P+N+E			K9764 RED 6	1 - 2.5	2 x Ø25	2 x Ø20	71 x 111
32	2P+E	K9761 YEL 4	K9762 BLU 6		2.5 - 6	2 x Ø25	2 x Ø20	71 x 111
32	3P+E			K9765 RED 6	2.5 - 6	2 x Ø25	2 x Ø20	71 x 111
32	3P+N+E			K9766 RED 6	2.5 - 6	2 x Ø25	2 x Ø20	71 x 111

 Earth Hour Position

*Solid or Stranded conductors




Dimensions A

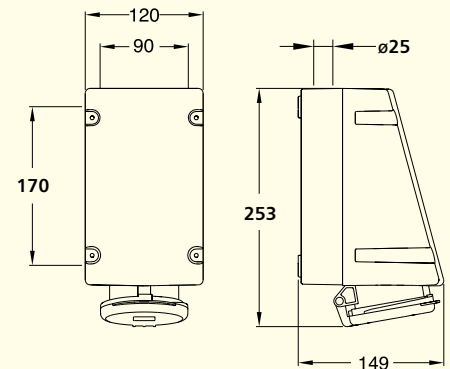
LOOP IN VERSIONS (see Dimensions B)

Fitted with terminals for Loop In

Amps	Pin. Configuration	100-130V 50-60Hz List No	220-250V 50-60Hz List No	380-415V 50-60Hz List No	Terminal Capacity* mm ²	Cable Entry Knockouts		Fixing Centres mm
						top	bottom	
16	2P+E	K13023 YEL 4	K13024 BLU 6		2 x (1.5-10)	2 x Ø25 top		90 x 170
16	3P+E			K13025 RED 6	2 x (1.5-10)	2 x Ø25 top		90 x 170
16	3P+N+E			K13026 RED 6	2 x (1.5-10)	2 x Ø25 top		90 x 170
32	2P+E	K13053 YEL 4	K13054 BLU 6		2 x (2.5-10)	2 x Ø25 top		90 x 170
32	3P+E			K13055 RED 6	2 x (2.5-10)	2 x Ø25 top		90 x 170
32	3P+N+E			K13056 RED 6	2 x (2.5-10)	2 x Ø25 top		90 x 170

 Earth Hour Position

*Solid or Stranded conductors



Dimensions B

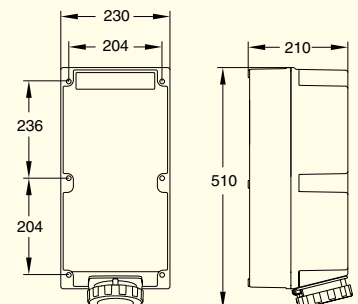
Socket Outlets Loop in Surface Mounting 125 Amp

IP 67 WATERTIGHT

Amps	Pin. Configuration	200-250V 50-60Hz List No	380-415V 50-60Hz List No	440-460V 60Hz List No	Cable Entry Knockouts	Terminal Capacity* mm ²
125	3P+E		K9191 RED 6	K9195 RED 11	2 x 23/47mm top & bottom	2 x (16 - 70)
125	3P+N+E		K9192 RED 6		2 x 23/47mm top & bottom	2 x (16 - 70)

 Earth Hour Position

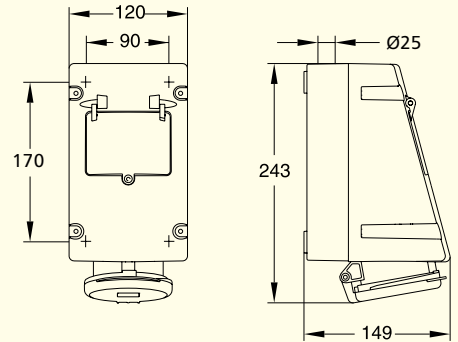
*Solid or Solid Stranded conductors



technical hotline +44 (0)1268 563720

ingress protected | wiring devices

Socket Outlets Single Pre-wired with 30mA RCD 16 and 32 Amp

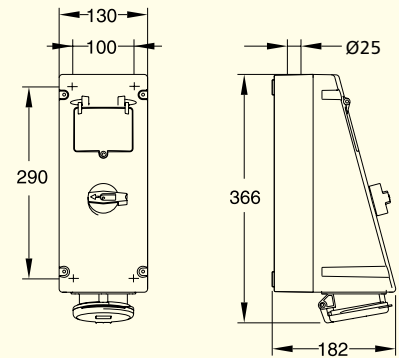
IP 44 SPLASHPROOF


Amps	Pin. Configuration	100-130V 50-60Hz List No	200-250V 50-60Hz List No	380-415V 50-60Hz List No	RCD Terminal Capacity*		Earth Terminal Capacity*		Cable Entry Knockouts	
					mm ² min	mm ² max	mm ² min	mm ² max		
16	2P+E	K13413 YEL 4	K13414 BLU 6		1.5	35	2.5	25	2 x Ø25	top
16	3P+E			K13415 RED 6	1.5	35	2.5	25	2 x Ø25	top
16	3P+N+E			K13416 RED 6	1.5	35	2.5	25	2 x Ø25	top
32	2P+E		K13433 BLU 6		2.5	35	2.5	25	2 x Ø25	top
32	3P+E			K13434 RED 6	2.5	35	2.5	25	2 x Ø25	top
32	3P+N+E			K13435 RED 6	2.5	35	2.5	25	2 x Ø25	top

Earth Hour Position

*Solid or Stranded conductors

Switchsocket Outlets Interlocked Pre-wired with 30mA RCD 16 and 32 Amp

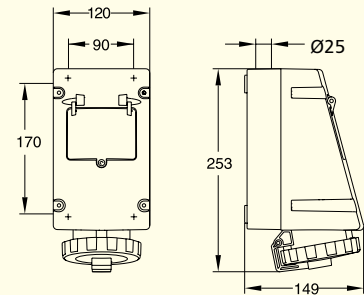
IP 44 SPLASHPROOF


Amps	Pin. Configuration	100-130V 50-60Hz List No	200-250V 50-60Hz List No	380-415V 50-60Hz List No	RCD Terminal Capacity*		Earth Terminal Capacity*		Cable Entry Knockouts	
					mm ² min	mm ² max	mm ² min	mm ² max		
16	2P+E	K13309 YEL 4	K13310 BLU 6		1.5	35	2.5	25	2 x Ø25	top
16	3P+E			K13311 RED 6	1.5	35	2.5	25	2 x Ø25	top
16	3P+N+E			K13312 RED 6	1.5	35	2.5	25	2 x Ø25	top
32	2P+E	K13342 YEL 4	K13343 BLU 6		2.5	35	2.5	25	2 x Ø25	top
32	3P+E			K13344 RED 6	2.5	35	2.5	25	2 x Ø25	top
32	3P+N+E			K13345 RED 6	2.5	35	2.5	25	2 x Ø25	top


Earth Hour Position

*Solid or Stranded conductors

Socket Outlets Single Pre-wired with 30mA RCD 16 and 32 Amp

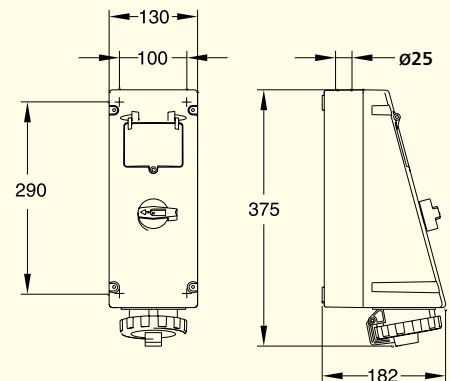
IP 67 WATERTIGHT


Amps	Pin. Configuration	100-130V 50-60Hz List No	200-250V 50-60Hz List No	380-415V 50-60Hz List No	RCD Terminal Capacity* mm ²		Earth Terminal Capacity mm ²		Cable Entry Knockouts	
					min	max	min	max		
16	2P+E	K13713 YEL 4	K13714 BLU 6		1.5	35	2.5	25	2 x Ø25	top
16	3P+E			K13715 RED 6	1.5	35	2.5	25	2 x Ø25	top
16	3P+N+E			K13716 RED 6	1.5	35	2.5	25	2 x Ø25	top
32	2P+E		K13733 BLU 6		2.5	35	2.5	25	2 x Ø25	top
32	3P+E			K13734 RED 6	2.5	35	2.5	25	2 x Ø25	top
32	3P+N+E			K13735 RED 6	2.5	35	2.5	25	2 x Ø25	top


 Earth Hour Position

*Solid or Stranded conductors

Switchsocket Outlets Interlocked Pre-wired with 30mA RCD 16 and 32 Amp

IP 67 WATERTIGHT


Amps	Pin. Configuration	100-130V 50-60Hz List No	200-250V 50-60Hz List No	380-415V 50-60Hz List No	RCD Terminal Capacity* mm ²		Earth Terminal Capacity mm ²		Cable Entry Knockouts	Fixing Centres
					min	max	min	max		
16	2P+E	K13346 YEL 6	K13348 BLU 6		1.5	35	2.5	25	2 x Ø25 top	100 x 290
16	3P+E			K13350 RED 6	1.5	35	2.5	25	2 x Ø25 top	100 x 290
16	3P+N+E			K13351 RED 6	1.5	35	2.5	25	2 x Ø25 top	100 x 290
32	2P+E	K13347 YEL 6	K13349 BLU 6		2.5	35	2.5	25	2 x Ø25 top	100 x 290
32	3P+E			K13352 RED 6	2.5	35	2.5	25	2 x Ø25 top	100 x 290
32	3P+N+E			K13353 RED 6	2.5	35	2.5	25	2 x Ø25 top	100 x 290

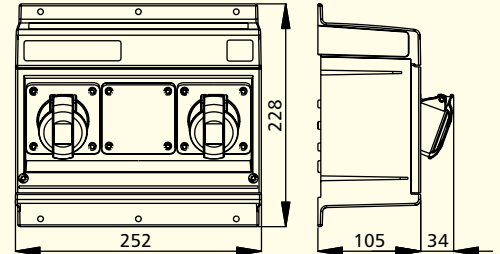
 Earth Hour Position

*Solid or Stranded conductors

technical hotline +44 (0)1268 563720

ingress protected | wiring devices

Modular Combi Units Twin Surface Socket Outlet 16 and 32 Amp

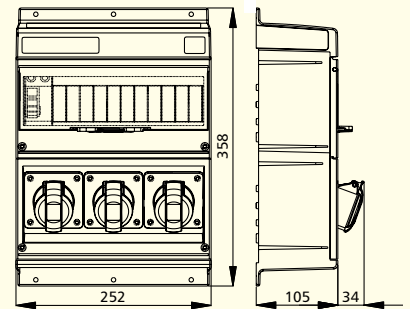
IP 44 SPLASHPROOF


Amps	Pin. Configuration	100-130V 50-60Hz List No	200-250V 50-60Hz List No		Terminal Capacity* mm ²		Cable Entry Knockouts	
					min	max	Top	Bottom
16	2P+E	K13143 YEL 4	K13144 BLU 6	PREWIRED	1.5	6	2 x Ø25 + 2 x Ø38	3 x Ø47.5
16	2P+E	K13043 YEL 4	K13044 BLU 6	UNWIRED	1.5	6	2 x Ø25 + 2 x Ø38	3 x Ø47.5

Earth Hour Position

*Solid or Stranded conductors

Modular Combi Units Triple Surface Socket Outlet with Single 30mA RCD Protection 16 Amp

IP 44 SPLASHPROOF


Amps	Pin. Configuration	100-130V 50-60Hz List No	200-250V 50-60Hz List No	RCD Terminal Capacity* mm ²		Earth Terminal Capacity* mm ²		Cable Entry Knockouts	
				min	max	min	max	Top	Bottom
16	2P+E	K13193 YEL 4	K13194 BLU 6	1.5	35	2.5	25	2 x Ø25 + 2 x Ø38	3 x Ø47.5

Earth Hour Position

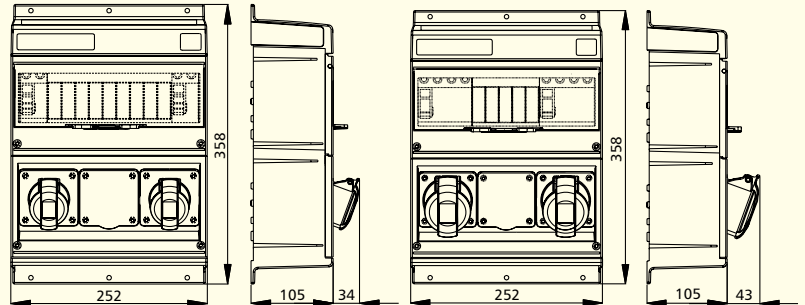
*Solid or Stranded conductors

Modular Combi Units Twin Surface Socket Outlet with Individual 30mA RCD Protection 16 and 32 Amp


IP 44 SPLASHPROOF

with 16A outlets (2P+E)

with 16A (3P+E, 3P+N+E) and
32A outlets (2P+E, 3P+E, 3P+N+E)



Amps	Pin. Configuration	100-130V 50-60Hz List No	200-250V 50-60Hz List No	380-415V 50-60Hz List No	RCD Terminal Capacity*		Earth Terminal Capacity*		Cable Entry Knockouts	
					min	max	min	max	Top	Bottom
16	2P+E	K13173 YEL 4	K13174 BLU 6		1.5	35	2.5	25	2 x Ø25 + 2 x Ø38	3 x Ø47.5
16	3P+E			K13175 RED 6	1.5	35	2.5	25	2 x Ø25 + 2 x Ø38	3 x Ø47.5
16	3P+N+E			K13176 RED 6	1.5	35	2.5	25	2 x Ø25 + 2 x Ø38	3 x Ø47.5
32	2P+E		K13184 BLU 6		2.5	35	2.5	25	2 x Ø25 + 2 x Ø38	3 x Ø47.5
32	3P+E			K13185 RED 6	2.5	35	2.5	25	2 x Ø25 + 2 x Ø38	3 x Ø47.5
32	3P+N+E			K13186 RED 6	2.5	35	2.5	25	2 x Ø25 + 2 x Ø38	3 x Ø47.5

 Earth Hour Position

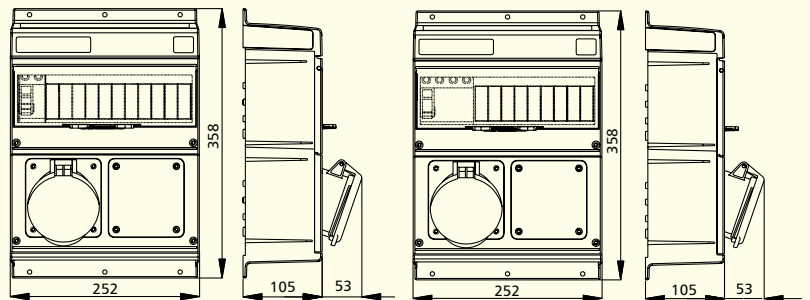
*Solid or Stranded conductors

Socket Outlets Single Pre-wired with 30mA RCD 63 Amp


IP 44 SPLASHPROOF

with 2P+E outlets

with 3P+E and 3P+N+E outlets



Amps	Pin. Configuration	200-250V 50-60Hz List No	380-415V 50-60Hz List No	RCD Terminal Capacity*		Earth Terminal Capacity*		Cable Entry Knockouts	
				min	max	min	max	Top	Bottom
63	2P+E	K13463 BLU 6		6	35	2.5	25	2 x Ø25 + 2 x Ø38	3 x Ø47.5
63	3P+E		K13464 RED 6	6	35	2.5	25	2 x Ø25 + 2 x Ø38	3 x Ø47.5
63	3P+N+E		K13465 RED 6	6	35	2.5	25	2 x Ø25 + 2 x Ø38	3 x Ø47.5

 Earth Hour Position

*Solid or Stranded conductors

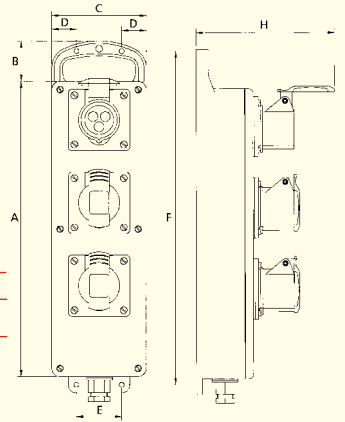
Combi Blocks Three Way 16 Amp

IP 44 SPLASHPROOF

Amps	Pin. Configuration	100-130V	200-250V	Terminal Capacity* mm ²	Cable Diameter		Dimensions in mm							
		50-60Hz List No	50-60Hz List No		min	max	A	B	C	D	E	F	H	
16	2P+E	13503 YEL 4	13504 BLU 6	1 - 2.5	7	24	360	49	115	30	55	407	172	

Earth Hour Position

*Solid or Stranded conductors



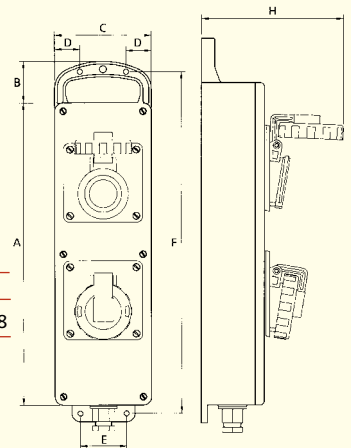
Combi Blocks Two Way 16 Amp

IP 57 WATERTIGHT

Amps	Pin. Configuration	100-130V	200-250V	Terminal Capacity* mm ²	Cable Diameter		Dimensions in mm							
		50-60Hz List No	50-60Hz List No		min	max	A	B	C	D	E	F	H	
16	2P+E	13507 YEL 4	13508 BLU 6	1 - 2.5	7	24	360	49	115	30	55	407	158	

Earth Hour Position

*Solid or Stranded conductors



Combi Blocks Two Way 30mA RCD Protected 16 Amp

IP 44 SPLASHPROOF

Amps	Pin. Configuration	100-130V	200-250V	Terminal Capacity* mm ²	Cable Diameter		Dimensions in mm							
		50-60Hz List No	50-60Hz List No		min	max	A	B	C	D	E	F	H	
16	2P+E	13505 YEL 4	13506 BLU 6	1 - 2.5	7	24	360	49	115	30	55	407	158	

Earth Hour Position

*Solid or Stranded conductors

