



Sentry Solutions

17TH EDITION OVERVIEW

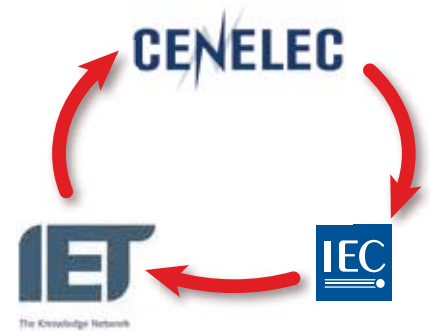
The IET introduced BS7671:2008, the 17th Edition of the Institute of Electrical Engineers Wiring Regulations, back in 2008. Seven years on they have now published Amendment 3 of this same regulation which was published in January 2015 and comes into effect 1st July 2015.

Currently the national safety standard for electrical installation work in the UK is British Standard 7671 – Requirements for Electrical Installations. The IET Wiring Regulations are a code of practice for ensuring safe electrical installations.

Although the IET Wiring Regulations have no statutory force in the UK, they are referred to as a means of demonstrating compliance with relevant legislation, such as the Electricity at Work Act (1989) and the Building Regulations.



Whilst every effort has been made to ensure the information in this brochure is correct, British Standards and the IET Wiring Regulations may be subject to change. This MK Electric brochure to 17th Edition - MK Sentry Solutions is not a substitute to the 'Requirements for Electrical Installations – IET Wiring Regulations Seventeenth Edition'.



The regulations have been updated to further harmonise with International and European standards. The process of European harmonisation had already begun with the previous amendments to the 16th Edition, most notably the changes in cable insulation colours. The 17th Edition maintains harmonisation with the International Standard (IEC 60364) and the related European Harmonisation Document (HD 384) from the European Committee for Electrotechnical Standardisation (CENELEC), which results in:

- Renumbering
- Restructuring
- New regulations
- Removal of some existing regulations

KEY DATES TO KNOW

- **1st January 2015:** BS7671:2008+A3 was published. Installations designed after this date may comply and be certified to these new standards or be designed and certified to BS7671:2008+A2 (for a maximum transitional period of 6 months)
- **1st July 2015:** BS7671:2008+A2 Installations designed after this date must comply fully with BS7671:2008+A3
- **1st January 2016:** Regulation 421.1.201 comes into full effect (this doesn't preclude conformity beforehand)

An example of European Harmonisation was the changes to cable insulation colours in the amendments to the 16th Edition in 2004



The biggest change from the 16th to the 17th Edition is increased use of Residual Current Devices. Previously, RCDs have only been required to protect socket outlets for use outdoors, where disconnection times can not be achieved, and special locations. With the introduction of the 17th Edition, this changed.

The term 'Additional Protection' is used throughout the publication. The use of RCDs are recognised as a means of providing additional protection in the event of failure of the provision for Basic Protection*, as an additional means of Fault Protection*, and to protect against carelessness by users.

If an RCD is used to provide Additional Protection it must then meet the requirements of **regulation 415.1.1**. That is, the RCD must have a rated residual operating current not exceeding 30mA, and an operating time not exceeding 40ms at 5x the rated current.

The 17th Edition refers to various applications and installations which require Additional Protection by the means of the aforementioned RCD.



* This term is explained in the glossary at the end of this brochure.

The first of which is found in **Regulation 411.3.3**, which has been modified in Amendment 3, where by Additional Protection is required for:

- i. Socket outlets with a rated current not exceeding 20A**
- ii. Mobile equipment with a current rating not exceeding 32A for use outdoors**

An exception to 'i' is permitted:

- a. Where, other than for an installation in a dwelling, a documented risk assessment determines that the RCD protection is not necessary, or**
- b. For a specific labelled or otherwise suitably identified socket outlet provided for connection of a particular item of equipment**

This regulation has been modified in Amendment 3 to provide less exceptional circumstances where RCD's may not be used. The document doesn't define the risk assessment, but the installer should consider each individual socket in all areas, and should include consideration and timings for regular assessments. Labelling could be interpreted as a socket outlet marked 'fridge', 'freezer'. 'I.T. Equipment' etc.



Further requirements for Additional Protection next appear in Chapter 522 – ‘Selection and Erection of Wiring Systems’ in Relation to External Influences.

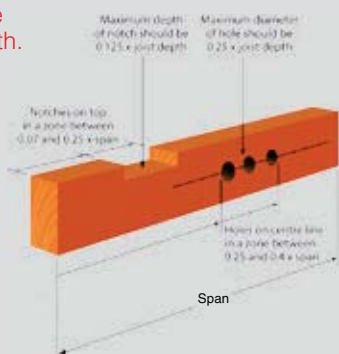
Section 522.6.201 states that where a low voltage cable is installed under a floor or above ceiling it must be run in such a position that it is not liable to be damaged by contact with the floor or ceiling or the fixings thereof. In line with **522.6.204**, a cable passing through a joist or ceiling support must

- a. be at least 50 mm from the top or bottom, as appropriate, or
- b. have earthed armouring or an earthed metal sheath, or
- c. be enclosed in earthed steel conduit or trunking, or
- d. be provided with mechanical protection sufficient to prevent penetration of the cable by nails, screws and the like (NOTE : the requirement to prevent penetration is difficult to meet), or
- e. form part of a SELV or PELV circuit (chapter 414)

Figure 7.3.1

Cables through joists

- a. Maximum diameter of hole should be $0.25 \times$ joist depth.
- b. Holes on centre line in a zone between 0.25 and $0.4 \times$ span.
- c. Maximum depth of notch should be $0.125 \times$ joist depth.
- d. Notches on top in a zone between 0.07 and $0.25 \times$ span.
- e. Holes in the same joist should be at least 3 diameters apart.



Where a cable is installed within a wall or partition, further consideration is given. **Section 522.6.202** provides guidance for the placement of cables and states they must either;

- a. be buried at least 50mm from the surface, or
- b. be installed in a zone either horizontally within 150mm of the top of the wall or partition or vertically within 150mm of the angle formed by two walls, or run horizontally or vertically to an accessory or consumer unit (see Figure 7.3.2). Where the wall is 100mm thick or less, the zoning arrangement is projected through the wall

Alternatively, within **section 522.6.204** further guidance is given on acceptable options for protection, whereby cables must:

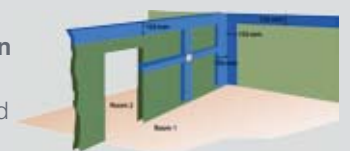
- c. have earthed armouring or an earthed metal sheath, or
- d. be enclosed in earthed steel conduit or trunking, or
- e. be provided with mechanical protection sufficient to prevent penetration of the cable by nails or screws (NOTE: the requirement to prevent penetration is difficult to meet), or
- f. form part of a SELV or PELV circuit (**522.6.203**)

In domestic and similar installations, cables not installed as per a, b, c or d but complying with e must be protected by a 30 mA RCD (414) In domestic and similar installations, cables installed in walls or partitions with a metal or part metal construction must be either **522.6.202** :

- a. installed in accordance with b, c, d or f of above, or
- b. protected by a 30mA RCD

In accordance with **regulation 522.6.203**

Figure 7.3.2 Zones prescribed in **regulation 522.6.101(v)**





All circuits within a location containing a bath or shower will require Additional Protection.

Section 701 concerns locations containing a bath or shower. It is now a requirement under **701.411.3.3** that additional protection shall be provided for all circuits of the location by the use of one or more RCDs, again, with an operating current not exceeding 30mA, reference **regulation 415.1.1**.

As well as items such as electric towel rails and electric showers, this regulation also applies to lighting.

Although all of the aforementioned areas require RCD protection, the requirements of **regulation 314.1**, Division of Installation, need to be taken into account, when designing and installing the circuit protective arrangements.



314.1 states that every installation shall be divided into circuits as necessary to:

- a. Avoid hazards and minimise inconvenience in the event of a fault**
- b. Take account of danger that may arise from the failure of a single circuit such as a lighting circuit**
- c. Reduce the possibility of unwanted tripping of RCDs due to excessive protective conductor currents produced by equipment in normal operation**

This means a single RCD cannot be used to protect the whole installation, as in the event of a fault, power will be lost to all circuits potentially causing hazards, inconvenience and danger. Therefore multiple devices should be installed to protect the outgoing circuits and should also be split across the RCDs, alternatively the suitable installation of RCBOs could be used to protect individual circuits.

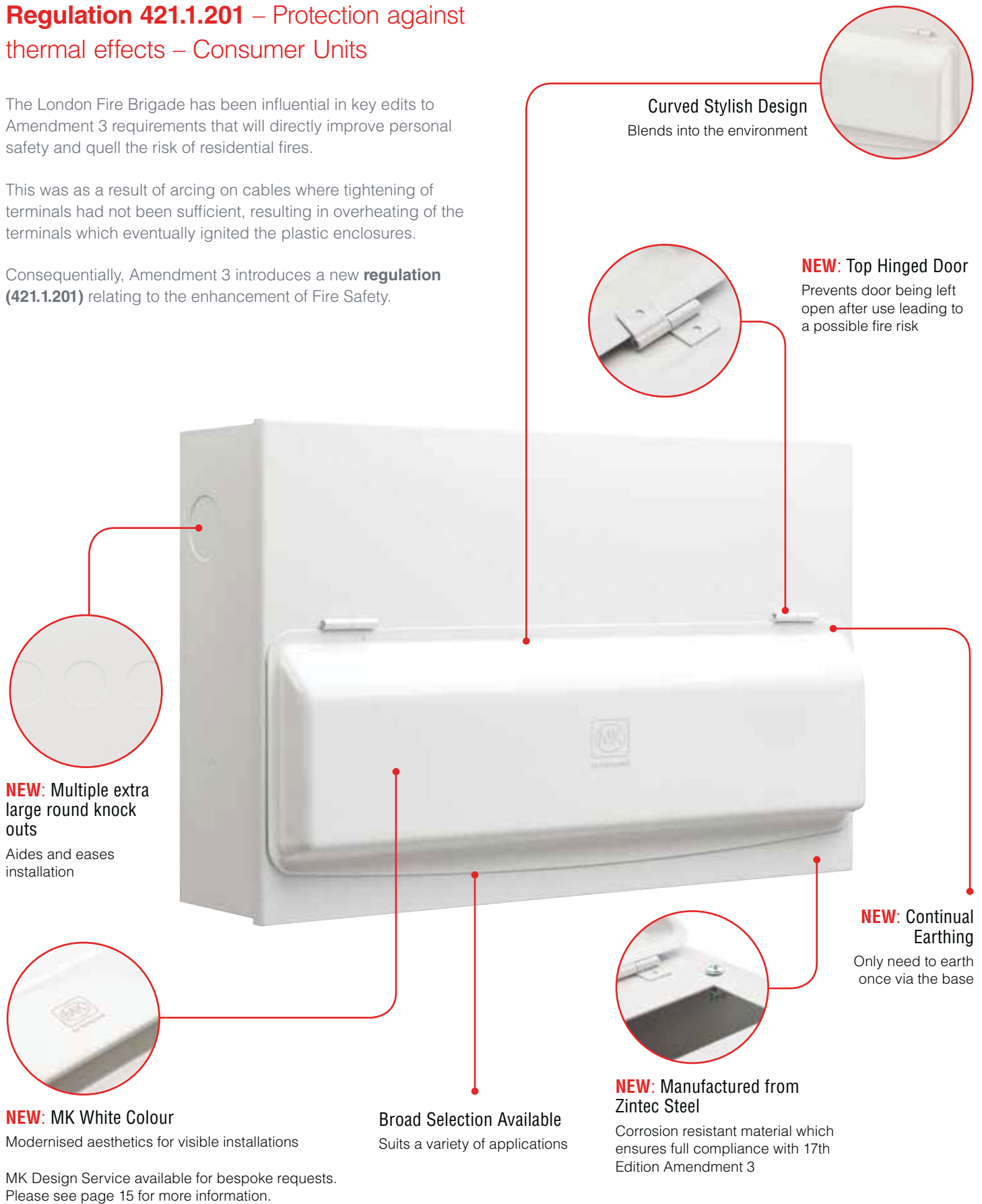
A split arrangement would be ground floor and first floor lighting circuits protected by separate RCDs. Another example would be that the circuit which supplies the bathroom lighting would be separately protected from that which supplies the electric shower. A fault developing on the electric shower circuit would then not affect the lighting circuit.

Regulation 421.1.201 – Protection against thermal effects – Consumer Units

The London Fire Brigade has been influential in key edits to Amendment 3 requirements that will directly improve personal safety and quell the risk of residential fires.

This was as a result of arcing on cables where tightening of terminals had not been sufficient, resulting in overheating of the terminals which eventually ignited the plastic enclosures.

Consequently, Amendment 3 introduces a new **regulation (421.1.201)** relating to the enhancement of Fire Safety.



Curved Stylish Design
Blends into the environment

NEW: Top Hinged Door
Prevents door being left open after use leading to a possible fire risk

NEW: Multiple extra large round knock outs
Aides and eases installation

NEW: Continual Earthing
Only need to earth once via the base

NEW: MK White Colour
Modernised aesthetics for visible installations

Broad Selection Available
Suits a variety of applications

NEW: Manufactured from Zintec Steel
Corrosion resistant material which ensures full compliance with 17th Edition Amendment 3

MK Design Service available for bespoke requests. Please see page 15 for more information.

Regulation 421.1.201 states that:

Within domestic (household) premises, consumer units and similar switchgear assemblies shall comply with BS EN 61439 3 and shall have their enclosure manufactured from a non-combustible material, or enclosed in a cabinet or enclosure constructed of non-combustible material and complying with **regulation 132.12**.

Regulation 421.1.201 will not be mandatory until 1st January 2016.

In line with this new Regulation, MK has introduced a new portfolio of metal consumer units into their MK Sentry range which are manufactured from corrosion resistant Zintec Steel and have designed features to provide full compliance to Amendment 3 **regulation 421.1.201**, as detailed here.



Backed out and captive combi-head screws
Allows simple and speedy installation

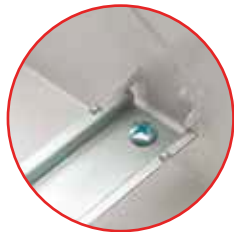
Colour coded earth and neutral terminal locked
At top of unit for ease of wiring



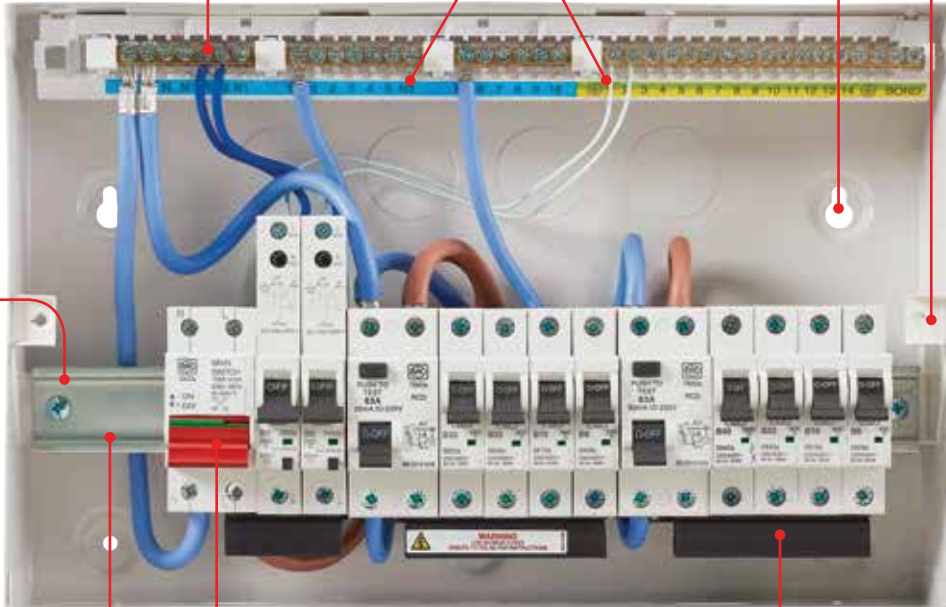
Fixing holes
Tripod fixing to cope with uneven surfaces



NEW: 10mm Increased Height
Additional wiring space for installation ease



Easily removable Din Rail
Simplifying and easing first fix



NEW: Supporting Din Rail "T" Bar
Additional support to prevent bowing and twisting which has been raised for improved cable routing



Offset Incomer
Provides additional wiring space making mains input connections easier

Floating busbar system
For maximum installation flexibility including acceptance of control modules

PRODUCT SELECTOR (NEW METAL CONSUMER UNITS)

	4 WAY CONSUMER UNITS	8 WAY CONSUMER UNITS	12 WAY CONSUMER UNITS	16 WAY CONSUMER UNITS	21 WAY CONSUMER UNITS
ENCLOSURE ONLY	K5604sMET 4 way Consumer Unit Accepts 4 modules (1 Integral neutral bar)	K5608sMET 8 way Consumer Unit Accepts 8 modules (1 Integral neutral bar)	K5612sMET 12 way Consumer Unit Accepts 12 modules (2 Integral neutral bars fitted with link)	K5616sMET 16 way Consumer Unit Accepts 16 modules (3 Integral neutral bars fitted with link)	K5621sMET 21 way Consumer Unit Accepts 21 modules (3 Integral neutral bars fitted with link)
ENCLOSURE + SWITCH DISCONNECTOR	K5704sMET 4 way Consumer Unit 100A Switch disconnecter Accepts a further 2 modules	K5708sMET 8 way Consumer Unit 100A Switch disconnecter Accepts a further 6 modules	K5712sMET 12 way Consumer Unit 100A Switch disconnecter Accepts a further 10 modules	K5716sMET 16 way Consumer Unit 100A Switch disconnecter Accepts a further 14 modules	K5721sMET 21 way Consumer Unit 100A Switch disconnecter Accepts a further 19 modules
SPLIT-LOAD SINGLE RCD ARRANGEMENTS			K5682sMET 12 way Consumer Unit 100A Switch disconnecter & 63A 30mA RCD Accepts a further 8 modules	K5689sMET 16 way Consumer Unit 100A Switch disconnecter & 63A 30mA RCD Accepts a further 12 modules	K5684sMET 21 way Consumer Unit 100A Switch disconnecter & 80A 30mA RCD Accepts a further 17 modules
			K5662sMET 12 way Consumer Unit 100A Switch disconnecter & 80A 30mA RCD Accepts a further 8 modules	K5685sMET 16 way Consumer Unit 100A Switch disconnecter & 80A 30mA RCD Accepts a further 12 modules	
SPLIT-LOAD DUAL RCD ARRANGEMENTS				K5666sMET 16 way Consumer Unit 100A Switch disconnecter & 2 x 63A 30mA RCD's Accepts a further 10 modules	K5683sMET 21 way Consumer Unit 100A Switch disconnecter & 2 x 63A 30mA RCD's Accepts a further 15 modules
				K5688sMET 16 way Consumer Unit 100A Switch disconnecter & 2 x 80A 30mA RCD's Accepts a further 10 modules	K5687sMET 21 way Consumer Unit 100A Switch disconnecter & 2 x 80A 30mA RCD's Accepts a further 15 modules
				K5686sMET 16 way Consumer Unit 100A Switch disconnecter & 80A & 63A 30mA RCD's Accepts a further 10 modules	K5681sMET 21 way Consumer Unit 100A Switch disconnecter & 80A & 63A 30mA RCD's Accepts a further 15 modules
POPULATED ARRANGEMENTS	K6550sMET 4 way Consumer Unit 63A 30mA RCD 2 x MCB's (1 x 6A & 1 x 16A)	K6552sMET 8 way Consumer Unit 63A 30mA RCD 6 x MCB's (3 x 6A, 1 x 16A & 2 x 20A)	K7664sMET 12 way Consumer Unit 100A Switch disconnecter 2 x 63A 30mA RCD's & 6 x MCB's (2 x 6A, 1 x 16A, 2 x 32A & 1 x 40A)	K7665sMET 16 way Consumer Unit 100A Switch disconnecter 2 x 63A 30mA RCD's & 8 x MCB's (2 x 6A, 2 x 16A, 3 x 32A & 1 x 40A) Accepts a further 2 modules	K7678sMET 21 way Consumer Unit 100A Switch disconnecter 2 x RCD's (1 x 63A & 1 x 80A 30mA RCD) & 12 x MCB's (3 x 6A, 2 x 16A, 2 x 20A, 4 x 32A & 1 x 40A) Accepts a further 3 modules
	K6551sMET 4 way Consumer Unit 63A 30mA RCD 1 x MCB's (50A)		K7663sMET 12 way Consumer Unit 100A Switch disconnecter 1 x 63A 30mA RCD's, 6 x MCB's (2 x 6A, 2 x 16A & 2 x 32A) & 2 x RCBO's (1 x 6A & 1 x 40A)	K7666sMET 16 way Consumer Unit 100A Switch disconnecter 2 x 63A 30mA RCD's & 10 x MCB's (3 x 6A, 2 x 16A, 4 x 32A & 1 x 40A)	
			K7673sMET 12 way Consumer Unit 100A Switch disconnecter 6 x RCBO's (2 x 6A, 1 x 16A, 2 x 32A & 1 x 40A) Accepts a further 4 modules		

For the full range of MK Sentry Consumer Units refer to the main MK Catalogue.

Part 4 – A new addition to calculating Earth fault loop impedances

The maximum earth fault loop impedance values have been lowered to take into account a new 'C min' factor. C min has been included to take account of voltage variations depending on time and place, changing of transformer taps and other considerations. For a low voltage supply given in accordance with the Electricity, Safety, Quality, and Continuity Regulations 2002 as amended, Cmin is given the value 0.95

The introduction of Cmin leads to revisions in the figures contained in **tables 41.2, 41.3** and **41.4**. The new figures are contained in the tables below.



K5704sMET

K7664sMET

TABLE 41.2 – MAXIMUM EARTH FAULT LOOP IMPEDANCE (ZS) FOR FUSES, FOR 0.4 S DISCONNECTION TIME WITH U0 OF 230 V (SEE REGULATION 411.4.6)

(A) GENERAL PURPOSE (GG) AND MOTOR CIRCUIT APPLICATION (GM) FUSES TO BS 88-2 – FUSE SYSTEMS E (BOLTED) AND G (CLIP -IN)									
Rating (amperes)	2	4	6	10	16	20		25	32
Zs (ohms)	33.1	15.6	7.80	4.65	2.43	1.68		1.29	0.99
(B) FUSES TO BS 88-3 FUSE SYSTEM C									
Rating (amperes)	5	16	20	32					
Zs (ohms)	9.93	2.30	1.93	0.91					
(C) FUSES TO BS 3036						(D) FUSES TO BS 1362			
Rating (amperes)	5	15	20	30		Rating (amperes)	3	13	
Zs (ohms)	9.10	2.43	1.68	1.04		Zs (ohms)	15.6	2.30	

TABLE 41.3 – MAXIMUM EARTH FAULT LOOP IMPEDANCE (ZS) FOR CIRCUIT-BREAKERS WITH U0 OF 230 V, FOR OPERATION GIVING COMPLIANCE WITH THE 0.4 S DISCONNECTION TIME OF REGULATION 411.3.2.2 AND 5 S DISCONNECTION TIME OF REGULATION 411.3.2.3 (FOR RCBS SEE ALSO REGULATION 411.4.9)

(A) TYPE B CIRCUIT-BREAKERS TO BS EN 60898 AND THE OVERCURRENT CHARACTERISTICS OF RCBS TO BS EN 61009-1														
Rating (amperes)	3	6	10	16	20	25	32	40	50	63	80	100	125	I _n
Zs (ohms)	14.57	7.28	4.37	2.73	2.19	1.75	1.37	1.09	0.87	0.69	0.55	0.44	0.35	230 x 0.95/(5 I _n)
(B) TYPE C CIRCUIT-BREAKERS TO BS EN 60898 AND THE OVERCURRENT CHARACTERISTICS OF RCBS TO BS EN 61009-1														
Rating (amperes)		6	10	16	20	25	32	40	50	63	80	100	125	I _n
Zs (ohms)		3.64	2.19	1.37	1.09	0.87	0.68	0.55	0.44	0.35	0.27	0.22	0.17	230 x 0.95/(10I _n)
(C) TYPE D CIRCUIT-BREAKERS TO BS EN 60898 AND THE OVERCURRENT CHARACTERISTICS OF RCBS TO BS EN 61009-1														
Rating (amperes)		6	10	16	20	25	32	40	50	63	80	100	125	I _n
Zs (ohms) 0.4 sec		1.82	1.09	0.68	0.55	0.44	0.34	0.27	0.22	0.17	0.14	0.11	0.09	230 x 0.95/(20I _n)
Zs (ohms) 5 secs		3.64	2.19	1.37	1.09	0.87	0.68	0.55	0.44	0.35	0.27	0.22	0.17	230 x 0.95/(10I _n)

TABLE 41.4 – MAXIMUM EARTH FAULT LOOP IMPEDANCE (ZS) FOR FUSES, FOR 5 S DISCONNECTION TIME WITH U0 OF 230 V (SEE REGULATION 411.4.8)

(A) GENERAL PURPOSE (GG) AND MOTOR CIRCUIT APPLICATION (GM) FUSES TO BS 88-2 – FUSE SYSTEMS E (BOLTED) AND G (CLIP IN)									
Rating (amperes)	2	4	6	10	16	20	25	32	40
Zs (ohms)	44	21	12	6.8	4.0	2.8	2.2	1.7	
	40	50	63	80	100	125	160	200	
	1.3	0.99	0.78	0.55	0.42	0.32	0.27	0.18	
(B) FUSES TO BS 88-3 FUSE SYSTEM C									
Rating (amperes)	5	16	20	32	45	63	80	100	
Zs (ohms)	14.6	3.9	3.2	1.6	1.0	0.68	0.51	0.38	
(C) FUSES TO BS 3036									
Rating (amperes)	5	15	20	30	45	60	100		
Zs (ohms)	16.8	5.08	3.64	2.51	1.51	1.07	0.51		
(D) FUSES TO BS 1362									
Rating (amperes)	3	13							
Zs (ohms)	22.0	3.64							



SENTRY

RANGE INTRODUCTION

The Sentry range of Consumer Units from MK Electric has been stylishly designed to blend in with its environment. The curved lines and slim-line appearance mean it won't look out of place when installed in hallways, lounges or kitchens of new properties.

The expanded range includes a 21-module unit for larger installations and also a 4-module unit to cater for small one-off installations and extensions to existing ones.

The MK Electric Design Service offers a pre-assembly service for custom built boards with all devices fitted, busbars cut and fitted with devices, live and neutral cables terminated.

This service is available across the entire range of Metal, Insulated, Flush and Skeleton units. For more information please see page 15.

SUPPORTS 17TH EDITION AMENDMENT 3 COMPLIANCE

Full range of products to support compliance with the 17th Edition Amendment 3 of the Wiring Regulations, including Full Metal non-combustible enclosures for Consumer Units.

SENTRY SKELETON BOARDS FOR SOCIAL HOUSING

For use in a Mantel or Clifton type enclosure, a complete offering of blank and pre-configured skeleton units for use in buildings with multi-occupancy dwellings.

MK ELECTRIC DESIGN SERVICE FOR PRE-ASSEMBLED CONSUMER UNITS

Save time and money by specifying project requirements through the MK Electric Design Service. Pre-assembled custom built boards, with all devices pre-fitted with busbars and cables are available to suit any installation. Available across the entire range of Full Metal, Insulated, Hybrid, Flush and Skeleton units.

FLUSH MOUNTING VERSIONS

Flush mounting available for even neater installations.

FLOATING BUSBAR SYSTEM

Gives maximum installation flexibility.

BROAD SELECTION OF PRE-ASSEMBLED SPLIT LOAD UNITS AVAILABLE

Suits a variety of applications and saves installation time.

SENTRY CONSUMER UNITS

New supporting din rail 'T' bar

Specific consumer unit configurations have been designed to provide flexible solutions in meeting the requirements of the 17th Edition with regards to RCD protection for circuits, cables and socket outlets.

The MK Sentry Consumer Units, available in insulated and metal versions, allow for protected and unprotected ways with the circuits being split across up to 3 RCDs, whilst a labelling sheet allows for full identification of all circuits.

Split load board with RCBOs

MK recommend the use of a split load board with RCBOs. An RCBO will provide individual over current and earth leakage protection for an outgoing circuit. In the event of fault conditions the supply will be disconnected only to the dedicated circuit.

Standard configurations augmented with RCBOs provide the optimum solution for additions and alterations. An MK RCBO is the same width as an MK MCB, providing a retro-fittable solution for additions and alterations to an existing installation.

FACTORY BUILT ASSEMBLY

Using standard MK Sentry components we can build and supply fully assembled units to an agreed design. For example have your Consumer Units supplied with all the devices fitted, busbars cut and fitted with neutral and live cables terminated*.

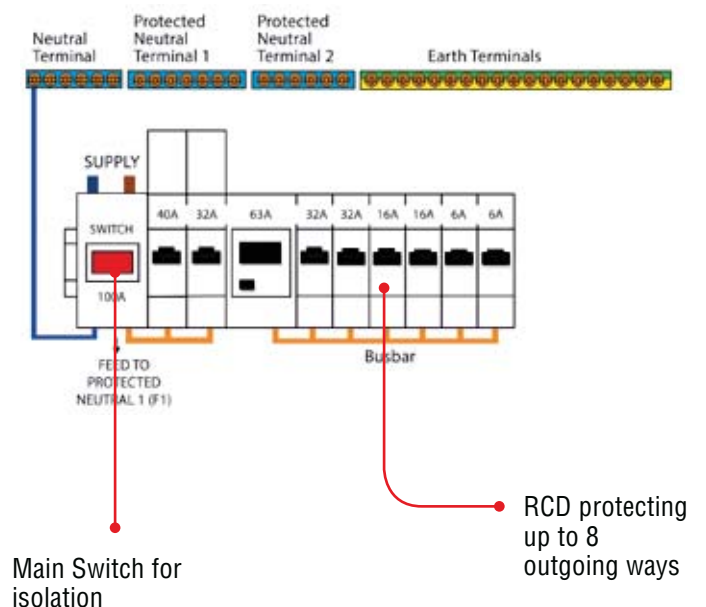
For more information call the MK Technical Services Team
Tel: 01268 563720

*Minimum order quantity of 20 applies.

INDIVIDUAL PROTECTION FOR DESIGNATED CIRCUITS

Example of use:

- 40A electric shower
- 6A first floor lighting
- 6A ground floor lighting



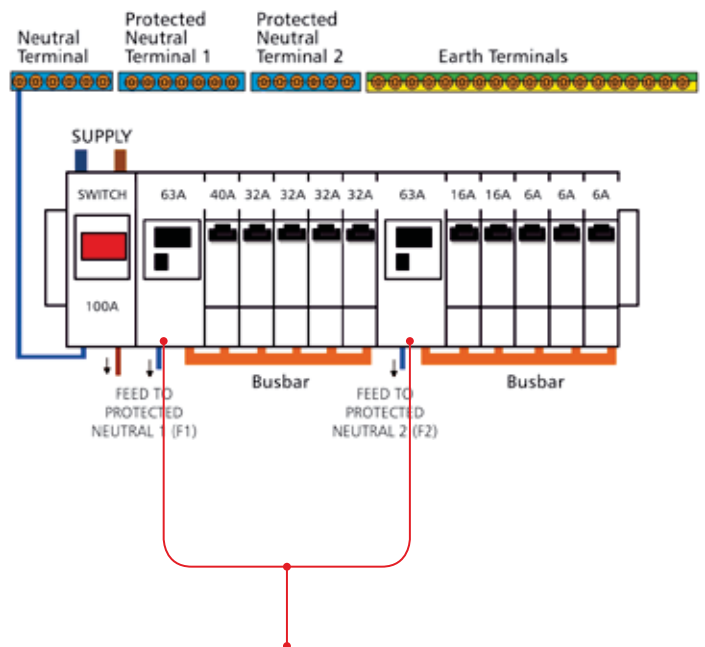
SENTRY CONSUMER UNITS



New 10mm increased height

K7666sMET Populated Consumer Unit

DIMENSIONS		
WIDTH	HEIGHT	DEPTH
382mm	244mm	116mm



Circuits divided across 2 RCDs

A fully populated 16 way consumer unit with:

- 100A mains switch
- 2 x 63A 30mA RCDs
- 10 x MCBs (3 x 6A, 2 x 16A, 4 x 32A + 1 x 40A)

Allowing 10 outgoing ways with up to 5 circuits per RCB.

SENTRY CONSUMER UNITS

New continual earthing

K7673sMET RCBO Populated Consumer Unit

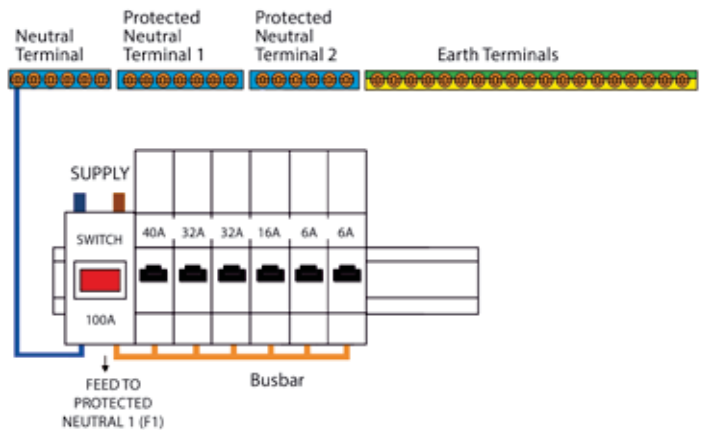


A fully populated 12 way consumer unit with for RCBs protected circuits with:

- 100A mains switch
- 6 x RCBOs (2 x 6A, 1x 16A, 2 x 32A, or 1 x 40A)

Allowing 6 RCBO protected circuits with room for an additional 4 ways.

DIMENSIONS		
WIDTH	HEIGHT	DEPTH
310mm	244mm	116mm



ALL 17TH EDITION CONSUMER UNITS HAVE THE FACILITY TO PROVIDE UNPROTECTED WAYS

SENTRY MCBS, RCBOs & RCDS



As shown, within the MK Sentry range a number of split load configurations are available which meet the requirements of the 17th Edition.

The following overview shows the total number of ways available with each board, and the maximum number of circuits for each RCD.

For maximum flexibility, unpopulated boards can also be used in conjunction with MK RCDs, RCBOs, MCBs and Switch Disconnectors to provide 17th Edition solutions.



K7663sMET



K7665sMET



K5682sMET

17TH EDITION – MK SENTRY SPLIT LOAD CONSUMER UNIT CONFIGURATION

METAL BOARD LIST NO.	INSULATED BOARD LIST NO.	DESCRIPTION	TOTAL WAYS	UNPROTECTED	RCD1	RCD2
K5682sMET	K5682sMAG	100A Switch disconnector & 63A 30mA RCD	12	4	8	
K5689sMET	K5666sMAG	100A Switch disconnector & 63A 30mA RCD	16	3	6	5
K5684sMET	K5681sMAG	100A Switch disconnector & 80A 30mA RCD	21	5	8	7
K5662sMET	K5662sMAG	100A Switch disconnector & 80A 30mA RCD	12	4	8	
K5685sMET	K5686sMAG	100A Switch disconnector & 80A 30mA RCD	16	3	6	5
K5666sMET	K5666SMAG17ED	100A Switch disconnector & 2 x 63A 30mA RCD's	16	3	6	5
K5683sMET	K5683SMAG17ED	100A Switch disconnector & 2 x 63A 30mA RCD's	21	5	8	7
K5688sMET	K5688sMAG17ED	100A Switch disconnector & 2 x 80A 30mA RCD's	16	3	6	5
K5687sMET	K5687sMAG17ED	100A Switch disconnector & 2 x 80A 30mA RCD's	21	5	8	7
K5681sMET	K5681SMAG17ED	100A Switch disconnector & 80A & 63A 30mA RCD's	21	5	8	7
K5686sMET	K5686SMAG17ED	100A Switch disconnector & 80A & 63A 30mA RCD's	16	3	6	5

The MK Electric Design Service

THE MK ELECTRIC DESIGN SERVICE IS PERFECT FOR WHEN ONLY A CUSTOMISED SOLUTION CAN MEET YOUR REQUIREMENTS, OR WHEN FULLY ASSEMBLED CONSUMER UNITS CAN BE PROVIDED FOR YOUR PROJECT TO SAVE YOU INSTALLATION TIME.

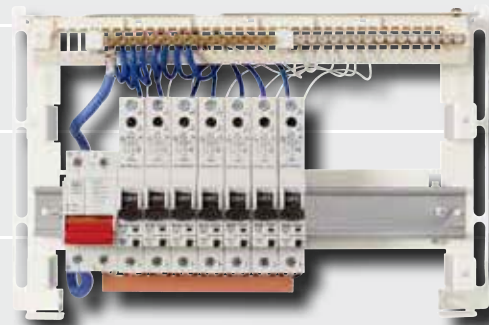
Our dedicated team can help you to build the best configurations for your project, and then assemble the boards ready for installation. The service is available for all MK Consumer Units – Metal, Insulated, Hybrid, Flush and Skeleton. Using standard and non-standard Sentry components we can build and supply fully assembled units to an agreed design. For example, have your split load boards supplied with all the devices pre-fitted with busbars and cables to suit the installation. This service is ideal for housing developers, or any project application*.

*Minimum order quantity of 20 of the same design

- Dedicated team on hand to build configuration to meet your needs
- Service is available for all MK Consumer Units and Skeleton Units
- Faster installation time on site
- Fast turnaround – 1 working day response time to initial enquiry

To find out more visit www.mkelectric.co.uk and follow the links to the **Design Service**.

STEP 1	Call the MK Electric Technical Services Team on 01268 563720 or email mk.technical@honeywell.com
STEP 2	Discuss the details of your project and circuit protection requirements with a member of the MK Technical Services Team or complete the online enquiry and click send
STEP 3	Within one working day you will have a response to your initial enquiry
STEP 4	Confirm the configurations and quantities
STEP 5	Receive the quote for your order
STEP 6	Place your order with your wholesaler
STEP 7	Your order will be delivered to the wholesaler of your choice. All boards will be fully assembled and ready for installation



SENTRY CONSUMER UNITS

Consumer Units

METAL
ENCLOSURE ONLY
SURFACE

METAL
ENCLOSURE + SWITCH
DISCONNECTOR
SURFACE



K5604sMET 1
4 WAY ENCLOSURE
ACCEPTS 4 ONE MODULE PRODUCTS
(1 INTEGRAL NEUTRAL BAR)
K5608sMET 1
8 WAY ENCLOSURE
ACCEPTS 8 ONE MODULE PRODUCTS
(1 INTEGRAL NEUTRAL BAR)
K5612sMET 1
12 WAY ENCLOSURE
ACCEPTS 8 ONE MODULE PRODUCTS
(2 INTEGRAL NEUTRAL BARS FITTED
WITH LINKS)

K5616sMET 1
16 WAY ENCLOSURE
ACCEPTS 16 ONE MODULE PRODUCTS
(3 INTEGRAL NEUTRAL BARS FITTED
WITH LINKS)
K5621sMET 1
21 WAY ENCLOSURE
ACCEPTS 21 ONE MODULE PRODUCTS
(3 INTEGRAL NEUTRAL BARS FITTED
WITH LINKS)

K5704sMET 1
4 WAY ENCLOSURE
100A SWITCH DISCONNECTOR
ACCEPTS A FURTHER 2 ONE MODULE
PRODUCTS
K5708sMET 1
8 WAY ENCLOSURE
100A SWITCH DISCONNECTOR
ACCEPTS A FURTHER 6 ONE MODULE
PRODUCTS
K5712sMET 1
12 WAY ENCLOSURE
100A SWITCH DISCONNECTOR
ACCEPTS A FURTHER 10 ONE MODULE
PRODUCTS

K5716sMET 1
16 WAY ENCLOSURE
100A SWITCH DISCONNECTOR
ACCEPTS A FURTHER 14 ONE MODULE
PRODUCTS
K5721sMET 1
21 WAY ENCLOSURE
100A SWITCH DISCONNECTOR
ACCEPTS A FURTHER 19 ONE MODULE
PRODUCTS

All units are white coloured.
All units feature a robust galvanized metal base,
lid & door.
The DIN rail embodies a useful alignment and
fixing mechanism that allows quick installation.
Cable entry points are located on top, bottom,
side and rear surfaces.

DIMENSIONS:	Width	Height	Depth
4 WAY	144	x 244	x 116mm
8 WAY	238	x 244	x 116mm
12 WAY	310	x 244	x 116mm
16 WAY	382	x 244	x 116mm
21 WAY	472	x 244	x 116mm

MAIN INCOMER RATING:
4 way enclosures: 63A
8, 12, 16 & 21 way enclosures: 100A
Degree of protection to BS EN 60529 to IP2XC.
Precautions must be taken to maintain the IP
rating, e.g. Use of cable glands and knockouts.
BS EN 61439-3

All units are pre-fitted with a switch disconnector

DIMENSIONS:	Width	Height	Depth
4 WAY	144	x 244	x 116mm
8 WAY	238	x 244	x 116mm
12 WAY	310	x 244	x 116mm
16 WAY	382	x 244	x 116mm
21 WAY	472	x 244	x 116mm

MAIN INCOMER RATING:
4 way enclosures: 63A
8, 12, 16 & 21 way enclosures: 100A
Degree of protection to BS EN 60529 to IP2XC.
Precautions must be taken to maintain the IP
rating, e.g. Use of cable glands and knockouts.
BS EN 61439-3

FACTORY BUILT SERVICE: MK can save you time and money by pre-assembling
consumer units with your required Sentry components

Cover mounted blanks are supplied with ALL consumer units
(2 off x 1 for 4, 8 and 12 way enclosures and 2 off x 2 for 16 and 21 way enclosures)

SPLIT-LOAD
SINGLE RCD ARRANGEMENTS
METAL
SURFACE

SPLIT-LOAD
DUAL RCD ARRANGEMENTS
METAL
SURFACE



K5682sMET



K5662sMET



K5666sMET



K5687sMET

- K5682sMET** 1
12 WAY ENCLOSURE
100A SWITCH DISCONNECTOR
63A 30mA RCD
ACCEPTS A FURTHER 8 ONE MODULE PRODUCTS
- K5689sMET** 1
16 WAY ENCLOSURE
100A SWITCH DISCONNECTOR
63A 30mA RCD
ACCEPTS A FURTHER 12 ONE MODULE PRODUCTS

- K5662sMET** 1
12 WAY ENCLOSURE
100A SWITCH DISCONNECTOR
80A 30mA RCD
ACCEPTS A FURTHER 8 ONE MODULE PRODUCTS
- K5685sMET** 1
16 WAY ENCLOSURE
100A SWITCH DISCONNECTOR
80A 30mA RCD
ACCEPTS A FURTHER 12 ONE MODULE PRODUCTS
- K5684sMET** 1
21 WAY ENCLOSURE
100A SWITCH DISCONNECTOR
80A 30mA RCD
ACCEPTS A FURTHER 17 ONE MODULE PRODUCTS

- K5666sMET** 1
16 WAY ENCLOSURE
100A SWITCH DISCONNECTOR
2 X 63A 30mA RCD'S
ACCEPTS A FURTHER 10 ONE MODULE PRODUCTS
- K5688sMET** 1
16 WAY ENCLOSURE
100A SWITCH DISCONNECTOR
2 X 80A 30mA RCD'S
ACCEPTS A FURTHER 10 ONE MODULE PRODUCTS
- K5686sMET** 1
16 WAY ENCLOSURE
100A SWITCH DISCONNECTOR
1 X 63A & 1 X 80A 30mA RCD'S
ACCEPTS A FURTHER 10 ONE MODULE PRODUCTS

- K5683sMET** 1
21 WAY ENCLOSURE
100A SWITCH DISCONNECTOR
2 X 63A 30mA RCD'S
ACCEPTS A FURTHER 15 ONE MODULE PRODUCTS
- K5687sMET** 1
21 WAY ENCLOSURE
100A SWITCH DISCONNECTOR
2 X 80A 30mA RCD'S
ACCEPTS A FURTHER 15 ONE MODULE PRODUCTS
- K5681sMET** 1
21 WAY ENCLOSURE
100A SWITCH DISCONNECTOR
1 X 63A & 1 X 80A 30mA RCD'S
ACCEPTS A FURTHER 15 ONE MODULE PRODUCTS

All units are white coloured.
All units are pre-fitted with a switch disconnector and RCD together with all the necessary split-load cabling. The flexibility of design allows the RCD to be positioned to suit the required configuration of RCD protected and non-protected circuits, subject to the rating of either the switch or RCD not being exceeded. MK recommends the use of RCBO's for non RCD protected circuits to comply with the 17th Edition Amendment 3 Wiring Regulations.

DIMENSIONS:	Width	Height	Depth
4 WAY	144	x 244	x 116mm

8 WAY	238	x 244	x 116mm
12 WAY	310	x 244	x 116mm
16 WAY	382	x 244	x 116mm
21 WAY	472	x 244	x 116mm

MAIN INCOMER RATING:
4 way enclosures: 63A
8, 12, 16 & 21 way enclosures: 100A
Degree of protection to BS EN 60529 to IP2XC.
Precautions must be taken to maintain the IP rating, e.g. Use of cable glands and knockouts.
BS EN 61439-3

All units are white coloured.
All units are pre-fitted with a switch disconnector and RCD together with all the necessary split-load cabling. The flexibility of design allows the RCD to be positioned to suit the required configuration of RCD protected and non-protected circuits, subject to the rating of either the switch or RCD not being exceeded. MK recommends the use of RCBO's for non RCD protected circuits to comply with the 17th Edition Amendment 3 Wiring Regulations.

DIMENSIONS:	Width	Height	Depth
4 WAY	144	x 244	x 116mm

8 WAY	238	x 244	x 116mm
12 WAY	310	x 244	x 116mm
16 WAY	382	x 244	x 116mm
21 WAY	472	x 244	x 116mm

MAIN INCOMER RATING:
4 way enclosures: 63A
8, 12, 16 & 21 way enclosures: 100A
Degree of protection to BS EN 60529 to IP2XC.
Precautions must be taken to maintain the IP rating, e.g. Use of cable glands and knockouts.
BS EN 61439-3

FACTORY BUILT SERVICE: MK can save you time and money by pre-assembling consumer units with your required Sentry components

Cover mounted blanks are supplied with ALL consumer units
(2 off x 1 for 4, 8 & 2 way enclosures and 2 off x 2 for 16 & 21 way enclosures)

SENTRY CONSUMER UNITS

Consumer Units

FULLY POPULATED
ARRANGEMENTS
METAL
SURFACE



K6550sMET
4 WAY ENCLOSURE
63A 30mA RCD
2 X MCB'S (1 X 6A & 1 X 16A)

K7663sMET
12 WAY ENCLOSURE
100A SWITCH DISCONNECTOR
63A 30mA RCD
6 X MCB'S (2 X 6A, 2 X 16A & 2 X 32A)
2 X RCBO'S (1 X 6A & 1 X 40A)

K7664sMET
12 WAY ENCLOSURE
100A SWITCH DISCONNECTOR
2 X 63A 30mA RCD'S
6 X MCB'S (2 X 6A, 1 X 16A, 2 X 32A & 1 X 40A)

K7673sMET
12 WAY ENCLOSURE
100A SWITCH DISCONNECTOR
6 X RCBO'S (2 X 6A, 1 X 16A, 2 X 32A & 1 X 40A)
ACCEPTS A FURTHER 4 ONE MODULE PRODUCTS

K7665sMET
16 WAY ENCLOSURE
100A SWITCH DISCONNECTOR
2 X 63A 30mA RCD'S
8 X MCB'S (2 X 6A, 2 X 16A, 3 X 32A & 1 X 40A)
ACCEPTS A FURTHER 2 ONE MODULE PRODUCTS

K7666sMET
16 WAY ENCLOSURE
100A SWITCH DISCONNECTOR
2 X 63A 30mA RCD'S
10 X MCB'S (3 X 6A, 2 X 16A, 4 X 32A & 1 X 40A)

K6551sMET
4 WAY ENCLOSURE
63A 30mA RCD
1 X MCB (1 X 50A)

K6552sMET
8 WAY ENCLOSURE
63A 30mA RCD
6 X MCB'S
(3 X 6A, 1 X 16A & 2 X 20A)

K7678sMET
21 WAY ENCLOSURE
1 X 63A & 1 X 80A 30mA RCD'S
12 X MCB'S
(3 X 6A, 2 X 16A, 2 X 20A, 4 X 32A & 1 X 40A)
ACCEPTS A FURTHER 3 ONE MODULE PRODUCTS

All units are white coloured.
All units are pre-fitted with a switch disconnecter and RCD together with all the necessary split-load cabling. The flexibility of design allows the RCD to be positioned to suit the required configuration of RCD protected and non-protected circuits, subject to the rating of either the switch or RCD not being exceeded.

MK recommends the use of RCBO's for non RCD protected circuits to comply with the 17th Edition Amendment 3 Wiring Regulations.

DIMENSIONS:	Width	Height	Depth
4 WAY	144	x 244	x 116mm
8 WAY	238	x 244	x 116mm
12 WAY	310	x 244	x 116mm
16 WAY	382	x 244	x 116mm
21 WAY	472	x 244	x 116mm

MAIN INCOMER RATING:
4 way enclosures: 63A
8, 12, 16 & 21 way enclosures: 100A
Degree of protection to BS EN 60529 to IP2XC.
Precautions must be taken to maintain the IP rating, e.g. Use of cable glands and knockouts.
BS EN 61439-3

FACTORY BUILT SERVICE: MK can save you time and money by pre-assembling consumer units with your required Sentry components

HYBRID (METAL BASE,
INSULATED LID & DOOR)
SURFACE

Stacking Kits

FOR HYBRID &
INSULATED CONSUMER
UNITS ONLY



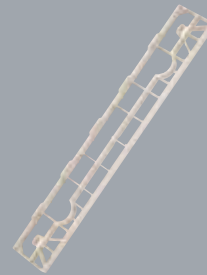
K5504sMAG



K5512sMAG



K5521sMAG



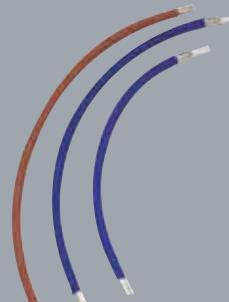
K6063sMAG



K5508sMAG



K5516sMAG



K5561s



K5504sMAG 1
4 WAY ENCLOSURE
ACCEPTS 4 ONE MODULE
PRODUCTS
(1 INTEGRAL NEUTRAL BAR)
K5508sMAG 1
8 WAY ENCLOSURE ACCEPTS 8
ONE MODULE PRODUCTS
(1 INTEGRAL NEUTRAL BAR)

K5512sMAG 1
12 WAY ENCLOSURE
ACCEPTS 12 ONE MODULE
PRODUCTS
(2 INTEGRAL NEUTRAL BARS
FITTED WITH LINK)

K5516sMAG 1
16 WAY ENCLOSURE ACCEPTS
16
ONE MODULE PRODUCTS (3
INTEGRAL NEUTRAL BARS
FITTED WITH LINK)

K5521sMAG 1
21 WAY ENCLOSURE
ACCEPTS 21 ONE MODULE
PRODUCTS
(4 INTEGRAL NEUTRAL BARS
FITTED WITH LINKS)

K6061sMAG 1
SUITABLE FOR USE WITH
12 MODULE UNITS

K6062sMAG 1
SUITABLE FOR USE WITH
16 MODULE UNITS

K6063sMAG 1
SUITABLE FOR USE WITH
21 MODULE UNITS

K5561s 1
CABLE KIT FOR STACKED
SENTRY UNITS
DUAL RAIL UNITS CAN BE
CREATED USING 12, 16 AND
21 MODULE UNITS AND THE
APPROPRIATE STACKING KIT.

ASSEMBLY USING A STACKING KIT

All units are magnolia coloured.
All units feature an enclosure box
of welded construction finished in a
tough coating of polyester epoxy paint
containing ample knockouts in top,
bottom, side and rear surfaces.

The units have an impact resistant,
flame retardant, thermoplastic cover
and lid.

Dual rail units are available for the 12,
16 and 21 module units to enable single
tariff and split load (up to 80A) using
Stacking Kits K6061sMAG, K6062sMAG
and K6063sMAG respectively in between
the units.

Degree of Protection to BS EN 60529
to IP2X C

Precautions must be taken to maintain
the IP rating, e.g. use of cable glands
and knockouts

DIMENSIONS:	Width	Height	Depth
K5504sMAG	140 x	230 x	110mm
K5508sMAG	234 x	230 x	110mm
K5512sMAG	306 x	230 x	110mm
K5516sMAG	378 x	230 x	110mm
K5521sMAG	468 x	230 x	110mm

Thickness of all Stacking Kits: 15mm

MAIN INCOMER MAXIMUM RATING:

K5604sMAG and K5504sMAG: 63A

All other consumer units: 100A

BS EN 60439-3: 1999

Ideal for large applications or if
additional capacity is required or for
dual tariff applications.

**K6061sMAG, K6062sMAG,
K6063sMAG**

Enables two Hybrid or Insulated
consumer units to be stacked (joined
together) to form one integral
consumer unit. Includes frame nuts,
bolts and earth cable (for bonding
earth terminal bars together).

Knockout holes in the base and top of
consumer units align, allowing cables to
pass through easily.

K5561s

Includes 3 cables (2 neutral and 1 live)
for use when electronically connecting
the upper and lower units of a stacking
assembly for either main incomer or
split load arrangements.

This kit must be used to ensure
compliance with BS EN 60439-3: 1999.

Cover mounted blanks are supplied with ALL consumer units
(2 off x 1 for 4, 8 and 12 module and 2 off x 2 for 16 and 21 module)

SENTRY CONSUMER UNITS

Consumer Units

INSULATED
SURFACE

HYBRID (METAL BASE,
INSULATED LID & DOOR)
FLUSH



K5604SMAG 1
4 WAY ENCLOSURE
ACCEPTS 4 ONE MODULE PRODUCTS
(1 INTEGRAL NEUTRAL BAR)

K5608SMAG 1
8 WAY ENCLOSURE
ACCEPTS 8 ONE MODULE PRODUCTS
(1 INTEGRAL NEUTRAL BAR)

All units are magnolia coloured.

All units feature a robust base together with an all over front cover and moulded lid in an impact resistant, flame retardant thermoplastic. Cable entry points are located on top, bottom, side and rear surfaces.

DIMENSIONS:	Width	Height	Depth
K5604sMAG	140 x	230	x 110mm
K5608sMAG	234 x	230	x 110mm
K5612sMAG	306 x	230	x 110mm
K5616sMAG	378 x	230	x 110mm
K5621sMAG	468 x	230	x 110mm

MAIN INCOMER MAXIMUM RATING
K5604sMAG and K5604sMAG: 63A
All other consumer units: 100A

K5612SMAG 1
12 WAY ENCLOSURE
ACCEPTS 12 ONE MODULE PRODUCTS
(2 INTEGRAL NEUTRAL BARS
FITTED WITH LINK)

K5616SMAG 1
16 WAY ENCLOSURE
ACCEPTS 16 ONE MODULE PRODUCTS
(3 INTEGRAL NEUTRAL BARS
FITTED WITH LINK)

K5621SMAG 1
21 WAY ENCLOSURE
ACCEPTS 21 ONE MODULE PRODUCTS
(4 INTEGRAL NEUTRAL BARS
FITTED WITH LINKS)

K5687SMAG17ED 1

Degree of protection to BS EN 60529 to IP2XC.
Precautions must be taken to maintain the IP rating, e.g. use of cable glands and knockouts.
BS EN 60439-3:1999

K6508SMAG 1
8 WAY ENCLOSURE
ACCEPTS 8 ONE MODULE PRODUCTS
(1 INTEGRAL NEUTRAL BAR)

K6512SMAG 1
12 WAY ENCLOSURE
ACCEPTS 12 ONE MODULE PRODUCTS
(2 INTEGRAL NEUTRAL BARS
FITTED WITH LINK)

K6516SMAG 1
16 WAY ENCLOSURE
ACCEPTS 16 ONE MODULE PRODUCTS
(3 INTEGRAL NEUTRAL BARS
FITTED WITH LINK)

K6521SMAG 1
21 WAY ENCLOSURE
ACCEPTS 21 ONE MODULE PRODUCTS
(4 INTEGRAL NEUTRAL BARS
FITTED WITH LINKS)

All units feature a tough galvanised metal box for insertion into the wall cavity, which can be secured at the rear or panel-mounted using the brackets supplied. The DIN rail embodies a useful alignment adjusting mechanism to make for a speedy installation. The units have an impact resistant, flame retardant, thermoplastic cover, lid and a flush moulded frame is supplied to overlap the exposed cavity to produce a smooth line between unit and wall.

Degree of protection to BS EN 60529 to IP2XC.

Precautions must be taken to maintain the IP rating, e.g. use of cable glands and knockouts.

BS EN 60439-3:1999

DIMENSIONS:	Width	Height	Depth	WALL CAVITY DIMENSIONS:	Width	Height	Depth (min)
K6508sMAG	234	x 230	x 106.5mm	K6508sMAG	245	x 235	x 67mm
K6512sMAG	306	x 230	x 106.5mm	K6512sMAG	315	x 235	x 67mm
K6516sMAG	378	x 230	x 106.5mm	K6516sMAG	390	x 235	x 67mm
K6521sMAG	468	x 230	x 106.5mm	K6521sMAG	480	x 235	x 67mm

Flush frame adds 38mm per side to the unit

DEPTH OF FLUSH CONSUMER UNIT VISIBLE ON WALL:
50mm

FACTORY BUILT SERVICE: MK can save you time and money by pre-assembling consumer units with your required Sentry components

Cover mounted blanks are supplied with ALL consumer units
(2 off x 1 for 4, 8 and 12 module and 2 off x 2 for 16 and 21 module)

Consumer Units

SPLIT-LOAD
SINGLE RCD ARRANGEMENTS
HYBRID (METAL BASE, INSULATED LID & DOOR)
SURFACE

SPLIT-LOAD
SINGLE RCD ARRANGEMENTS
INSULATED
SURFACE

SPLIT LOAD
DUAL/TRIPLE RCD
ARRANGEMENT
HYBRID (METAL BASE,
INSULATED LID &
DOOR)
SURFACE



K5582sMAG



K5586sMAG



K5682sMAG



K5686sMAG



K5566sMAG17ED



K5566sMAG



K5581sMAG



K5662sMAG



K5681sMAG



K5586sMAG17ED



K5666sMAG

K5582sMAG 1
12 WAY ENCLOSURE
100A SWITCH DISCONNECTOR
AND 63A 30mA RCD.
ACCEPTS A FURTHER 8 ONE
MODULE PRODUCTS IN ANY
CONFIGURATION OF RCD
PROTECTED AND UNPROTECTED
CIRCUITS BETWEEN 1/6 AND 6/1

K5566sMAG 1
16 WAY ENCLOSURE 100A
SWITCH DISCONNECTOR
AND 63A 30mA RCD.
ACCEPTS A FURTHER 12 ONE
MODULE PRODUCTS IN ANY
CONFIGURATION OF RCD
PROTECTED AND UNPROTECTED
CIRCUITS BETWEEN 1/8 AND 8/1

K5586sMAG 1
16 WAY ENCLOSURE
100A SWITCH DISCONNECTOR
AND 80A 30mA RCD.
ACCEPTS A FURTHER 12 ONE
MODULE PRODUCTS IN ANY
CONFIGURATION OF RCD
PROTECTED AND UNPROTECTED
CIRCUITS BETWEEN 1/8 AND 8/1

K5581sMAG 1
21 WAY ENCLOSURE
100A SWITCH DISCONNECTOR
AND 80A 30mA RCD.
ACCEPTS A FURTHER 17
ONE MODULE PRODUCTS
IN ANY CONFIGURATION
OF RCD PROTECTED AND
UNPROTECTED CIRCUITS
BETWEEN 1/14 AND 14/1

K5682sMAG 1
12 WAY ENCLOSURE
100A SWITCH DISCONNECTOR
AND 63A 30mA RCD.
ACCEPTS A FURTHER 8 ONE
MODULE PRODUCTS IN ANY
CONFIGURATION OF RCD
PROTECTED & UNPROTECTED
CIRCUITS BETWEEN 1/6 AND 6/1

K5662sMAG 1
12 WAY ENCLOSURE
100A SWITCH DISCONNECTOR
AND 80A 30mA RCD.
ACCEPTS A FURTHER 8 ONE
MODULE PRODUCTS IN ANY
CONFIGURATION OF RCD
PROTECTED & UNPROTECTED
CIRCUITS BETWEEN 1/6 AND 6/1

K5666sMAG 1
16 WAY ENCLOSURE
100A SWITCH DISCONNECTOR
AND 63A 30mA RCD.
ACCEPTS A FURTHER 12 ONE
MODULE PRODUCTS IN ANY
CONFIGURATION OF RCD
PROTECTED & UNPROTECTED
CIRCUITS BETWEEN
1/8 AND 8/1

K5686sMAG 1
16 WAY ENCLOSURE
100A SWITCH DISCONNECTOR
AND 80A 30mA RCD.
ACCEPTS A FURTHER 12 ONE
MODULE PRODUCTS IN ANY
CONFIGURATION OF RCD
PROTECTED & UNPROTECTED
CIRCUITS BETWEEN 1/8 AND 8/1

K5681sMAG 1
21 WAY ENCLOSURE
100A SWITCH DISCONNECTOR
AND 80A 30mA RCD.
ACCEPTS A FURTHER 17 ONE
MODULE PRODUCTS IN ANY
CONFIGURATION OF RCD
PROTECTED & UNPROTECTED
CIRCUITS BETWEEN 14/1 AND
1/14

K5566sMAG17ED 1
16 WAY ENCLOSURE
100A SWITCH DISCONNECTOR
AND 2 X 63A 30mA RCDS.
ACCEPTS A FURTHER 10 ONE
MODULE PRODUCTS *

K5586sMAG17ED 1
16 WAY ENCLOSURE
100A SWITCH DISCONNECTOR
80A AND 63A 30mA RCDS.
ACCEPTS A FURTHER 10 ONE
MODULE PRODUCTS *

All units are magnolia coloured.

All units are pre-fitted with a switch disconnector and RCD together with all necessary split-load cabling. The flexibility of design allows the RCD to be positioned to suit the required configuration of RCD protected and non-protected circuits, subject to the rating of either the switch or RCD not being exceeded. MK recommends the use of RCBOs for non RCD protected circuits to comply with the 17th Edition of the Wiring Regulations.

DIMENSIONS:	Width	Height	Depth	Degree of Protection to
K5582sMAG:	306 x	230 x	110mm	BS EN 60529 to IP2XC
K5566sMAG:	378 x	230 x	110mm	Precautions must be taken to maintain the IP rating e.g. use of cable glands and knockouts
K5586sMAG:	378 x	230 x	110mm	BS EN 60439-3:1999
K5581sMAG:	468 x	230 x	110mm	

All units are magnolia coloured. All units are pre-fitted with a switch disconnector and RCD together with all necessary split load cabling. The flexibility of design allows the RCD to be positioned to suit the required configuration of RCD protected and non-protected circuits, subject to the rating of either the switch or RCD not being exceeded.

MK recommends the use of RCBOs for non RCD protected circuits to comply with the 17th Edition of the Wiring Regulations. BS EN 60439-3:1999

DIMENSIONS:	Width	Height	Depth	Degree of protection to BS
K5682sMAG	306 x	230 x	110mm	EN 60529:1992 IP2XC.
K5662sMAG	306 x	230 x	110mm	Precautions must be taken to maintain the IP rating e.g. correct use of cable glands and knockouts.
K5666sMAG	378 x	230 x	110mm	
K5686sMAG	378 x	230 x	110mm	
K5681sMAG	468 x	230 x	110mm	

All units are magnolia coloured. All units are pre-fitted with a switch disconnector and either two or three RCDs together with all necessary split-load cabling. All units have the capacity to substitute Protected with Unprotected circuits for use with fridges, freezers, burglar alarms and other critical circuits. MK recommends the use of RCBOs for non RCD protected circuits to comply with the 17th Edition of the Wiring Regulations.

DIMENSIONS:	Width	Height	Depth
K5566sMAG17ED	378 x	230 x	110mm
K5586sMAG17ED	378 x	230 x	110mm
K5581sMAG17ED	468 x	230 x	110mm
K5583sMAG17ED	468 x	230 x	110mm
K5584sMAG17ED	468 x	230 x	110mm
K5687sMAG17ED	468 x	230 x	110mm

SENTRY CONSUMER UNITS

WITH SPLIT LOAD
DUAL/TRIPLE RCD ARRANGEMENT
INSULATED
SURFACE



K5581sMAG17ED 1
21 WAY ENCLOSURE
100A SWITCH DISCONNECTOR,
80A AND 63A 30mA RCDS.
ACCEPTS A FURTHER 15 ONE
MODULE PRODUCTS *

K5583sMAG17ED 1
21 WAY ENCLOSURE
100A SWITCH DISCONNECTOR
AND 2 X 63A 30mA RCDS.
ACCEPTS A FURTHER 15 ONE
MODULE PRODUCTS *

K5584sMAG17ED 1
21 WAY ENCLOSURE
100A SWITCH DISCONNECTOR,
2 X 63A AND ONE 40A 30mA
RCDS. ACCEPTS A FURTHER 13
ONE MODULE PRODUCTS *

K5666sMAG17ED 1
16 WAY ENCLOSURE
100A SWITCH DISCONNECTOR
AND 2 X 63A 30mA RCDS.
ACCEPTS A FURTHER 10 ONE
MODULE PRODUCTS *

K5686sMAG17ED 1
16 WAY ENCLOSURE
100A SWITCH DISCONNECTOR
80A AND 63A 30mA RCDS.
ACCEPTS A FURTHER 10 ONE
MODULE PRODUCTS *

K5688sMAG17ED 1
16 WAY ENCLOSURE
100A SWITCH DISCONNECTOR
AND 2 X 80A 30mA RCDS.
ACCEPTS A FURTHER 10 ONE
MODULE PRODUCTS *

K5687sMAG17ED 1
21 WAY ENCLOSURE
100A SWITCH DISCONNECTOR
AND 2 X 80A 30mA RCDS.
ACCEPTS A FURTHER 15 ONE
MODULE PRODUCTS *

K5681sMAG17ED 1
21 WAY ENCLOSURE
100A SWITCH DISCONNECTOR,
80A AND 63A 30mA RCDS.
ACCEPTS A FURTHER 15 ONE
MODULE PRODUCTS *

K5683sMAG17ED 1
21 WAY ENCLOSURE
100A SWITCH DISCONNECTOR
AND 2 X 63A 30mA RCDS.
ACCEPTS A FURTHER 15 ONE
MODULE PRODUCTS *

K5684sMAG17ED 1
21 WAY ENCLOSURE
100A SWITCH DISCONNECTOR,
2 63A AND ONE 40A 30mA
RCDS. ACCEPTS A FURTHER 13
ONE MODULE PRODUCTS *

Degree of Protection to BS EN 60529
to IP2XC
Precautions must be taken to maintain
the IP rating e.g. use of cable glands
and knockouts
BS EN 60439-3:1999

All units are magnolia coloured. All units are pre-fitted with a switch disconnecter
and either two or three RCDs together with all necessary split-load cabling. All units
have the capacity to substitute Protected with Unprotected circuits for use with
fridges, freezers, burglar alarms and other critical circuits. MK recommends the
use of RCBOs for non RCD protected circuits to comply with the 17th Edition of the
Wiring Regulations.

DIMENSIONS:	Width	Height	Depth
K5666sMAG17ED	378	x 230	x 110mm
K5686sMAG17ED	378	x 230	x 110mm
K5688sMAG17ED	378	x 230	x 110mm
K5681sMAG17ED	468	x 230	x 110mm
K5687sMAG17ED	468	x 230	x 110mm
K5683sMAG17ED	468	x 230	x 110mm
K5684sMAG17ED	468	x 230	x 110mm

Degree of Protection to BS EN 60529 to IP2XC.
Precautions must be taken to maintain the IP rating e.g. use of cable glands and
knockouts.
BS EN 60439-3: 1999

DIMENSIONS:	Width	Height	Depth
K5666sMAG17ED	378	x 230	x 110mm
K5686sMAG17ED	378	x 230	x 110mm
K5688sMAG17ED	378	x 230	x 110mm
K5681sMAG17ED	468	x 230	x 110mm
K5687sMAG17ED	468	x 230	x 110mm
K5683sMAG17ED	468	x 230	x 110mm
K5684sMAG17ED	468	x 230	x 110mm

Cover mounted blanks are supplied with ALL consumer units
(2 off x 1 for 4, 8 and 12 module and 2 off x 2 for 16 and 21 module)

FACTORY BUILT SERVICE: MK can save you time and money by pre-assembling consumer units with your
required Sentry components

**Populated
Consumer Units
Insulated**

Skeleton Units

**Garage/Shower
Kits***

FOR MOUNTING IN A
MANTEL/CLIFTON TYPE
ENCLOSURE

IP65

IP30



K7663sP



K7678sP



K6000s



5702sP1



K65504sP1



K7664sP



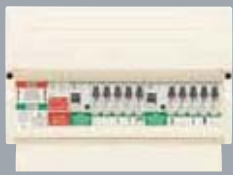
K7665sP



K6001s



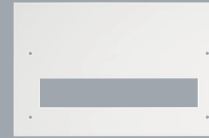
5702sP2



K7666sP



K7673sP



BOTH K6000s AND K6001s
ARE SUPPLIED WITH A 2
PIECE COVER

K7663sP 1
14 WAY ENCLOSURE
100A SWITCH DISCONNECTOR,
1 X 63A 30mA RCD
6 X MCB'S (2 X 6A, 2 X 16A &
2 X 32A)
2 X RCBO'S (1 X 6A & 1 X 40A)

K7664sP 1
14 WAY ENCLOSURE
100A SWITCH DISCONNECTOR,
2 X 63A 30mA RCD'S
6 X MCB'S (2 X 6A, 1 X 16A, 2 X
32A & 1 X 40A)

K7666sP 1
16 WAY ENCLOSURE
100A SWITCH DISCONNECTOR,
2 X 63A 30mA RCD'S
10 X MCB'S (3 X 6A, 2 X 16A, 4
X 32A & 1 X 40A)

K7678sP 1
18 WAY ENCLOSURE
100A SWITCH DISCONNECTOR,
2 X RCD'S (1 X 63A & 1 X 80A)
12 X MCB'S (3 X 6A, 2 X 16A, 2
X 20A, 4 X 32A & 1 X 40A)

K7665sP 1
16 WAY ENCLOSURE
100A SWITCH DISCONNECTOR,
2 X 63A 30mA RCD'S
8 X MCB'S (2 X 6A, 2 X 16A, 3 X
32A & 1 X 40A)

K7673sP 1
12 WAY ENCLOSURE
100A SWITCH DISCONNECTOR,
6 X RCBO'S (2 X 6A, 1 X 16A, 2
X 32A & 1 X 40A)

K6000s 1
INCLUDES 1 X 100A SWITCH
DISCONNECTOR
ACCEPTS A FURTHER 12
ONE MODULE PRODUCTS
IN ANY CONFIGURATION
OF RCD PROTECTED AND
UNPROTECTED CIRCUITS
BETWEEN 2/10 AND 10/2 (NOTE
RCDS TAKE TWO SPACES)
1 INTEGRAL NEUTRAL BAR

K6001s 1
INCLUDES 1 X 100A SWITCH
DISCONNECTOR AND 1 X 63A
30mA RCD
ACCEPTS A FURTHER 10
ONE MODULE PRODUCTS
IN ANY CONFIGURATION
OF RCD PROTECTED AND
UNPROTECTED CIRCUITS
BETWEEN 2/8 AND 8/2 (NOTE
RCDS TAKE TWO SPACES)

5702sP1 1
INSULATED 4 MODULE IP65
GARAGE KIT. COMPLETE WITH
40A 30MA RCD AND
2 X MCB (1 X B TYPE 6A, 1 X B
TYPE 16A)

5702sP2 1
INSULATED 4 MODULE IP65
SHOWER KIT. COMPLETE WITH
63A 30MA RCD AND 1 X 50A
MCB

DIMENSIONS:

	WIDTH	HEIGHT	DEPTH
5702sP1:	123	x200	x112mm
5702sP2:	123	x200	x112mm

*Not approved for use within
domestic premises.

These units are suitable for use in
most Mantel and Clifton type
enclosures. Factory assembled units
are available for specific installations.

DIMENSIONS WITH COVER:

	WIDTH	HEIGHT	DEPTH
K6000s:	333	x 216	x 65mm
K6001s:	333	x 216	x 65mm

Degree of Protection to
BS EN 60529:1992 IP30

Precautions must be taken to maintain
the IP rating, eg. correct use of cable
glands and knockouts.
BS EN 60439-3:1999

SENTRY CONSUMER UNITS

Enclosures

IP65 WEATHERPROOF ENCLOSURE



5702s



5704s

Switch Disconnectors Double Pole

TWO MODULE



5500s



5560s

MCBs Single Pole

TYPE B
ONE MODULE



5903s



5906s



5910s



5916s



5920s



5940s



5945s



5950s

5702s
WEATHERPROOF
COMPLETE WITH NEUTRAL AND
EARTH TERMINAL BLOCK
ACCEPTS UP TO 4 MODULES

1

5704s
WEATHERPROOF
COMPLETE WITH NEUTRAL AND
EARTH TERMINAL BLOCK
ACCEPTS UP TO 8 MODULES

1

Typical applications for enclosures are house extensions, garages and small workshops. These enclosures will accommodate two or four module Sentry RCDs or a combination of Sentry modules, excluding contactors and RCBOs.

DIMENSIONS:

	Width	height	Depth
5702s:	123	x 200	x112mm
5704s:	195	x 200	x112mm
5502s:	130	x 90	x90mm
5504s:	188	x 121	x74mm
5604s:	150	x 110	x90mm

Degree of Protection to
BS EN 60529:1992

5702s and 5704s: IP65
5502s, 5504s and 5604s: IP30

Precautions must be taken to maintain the IP rating, eg. correct use of cable glands and knockouts

IP65 enclosures to EN 60670

5500s
100A 230V
5560s
63A 230V

Suitable for installation in Sentry Consumer Units and two or four module enclosures. Accepts direct to busbar or cable-in / cable-out connection.

CATEGORY OF DUTY:

AC22A for switching of resistive and inductive loads.

Positive contact status indication in accordance with 17th Edition IEE Wiring Regulations (537.2.2.2 and 537.3.2.2)

DIMENSIONS:

81 x 36 x 76mm

CABLE CAPACITY:

50mm²

BS EN 60947-3:1999

5903s
3A 230V

5906s
6A 230V

5910s
10A 230V

5916s
16A 230V

Suitable for installation in Sentry Consumer Units and two or four module enclosures.

Positive contact status indication in accordance with 17th Edition IEE Wiring Regulations (537.2.2.2 and 537.3.2.2)

DIMENSIONS:

83 x 18 x 74mm

CABLE CAPACITY:

35mm²

Short-circuit breaking capacity: 6KA

BS EN 60898:2003

5920s
20A 230V

5925s
25A 230V

5932s
32A 230V

5940s
40A 230V

5945s
45A 230V

5950s
50A 230V

Suitable for installation in Sentry Consumer Units and two or four module enclosures.

Positive contact status indication in accordance with 17th Edition IEE Wiring Regulations (537.2.2.2 and 537.3.2.2)

DIMENSIONS:

83 x 18 x 74mm

CABLE CAPACITY:

35mm²

SHORT-CIRCUIT BREAKING CAPACITY:

6KA

BS EN 60898:2003

10

10

10

10

10

10

MCB Single Pole

TYPE C
ONE MODULE



8703s 8706s



8710s 8716s

8703s
3A 230V

8706s
6A 230V

8710s
10A 230V

8716s
16A 230V

Suitable for installation in Sentry Consumer Units and two or four module enclosures.
Positive contact status indication in accordance with 17th Edition IEE Wiring Regulations (537.2.2.2 and 537.3.2.2)

DIMENSIONS:
83 x 18 x 74mm

CABLE CAPACITY:
35mm²

SHORT-CIRCUIT BREAKING CAPACITY:
6KA
BS EN 60898:2003

10

8720s
20A 230V

8725s
25A 230V

8732s
32A 230V

8740s
40A 230V

8750s
50A 230V

8763s
63A 230V

Suitable for installation in Sentry Consumer Units and two or four module enclosures.
Positive contact status indication in accordance with 17th Edition IEE Wiring Regulations (537.2.2.2 and 537.3.2.2)

DIMENSIONS:
83 x 18 x 74mm

CABLE CAPACITY:
35mm²

SHORT-CIRCUIT BREAKING CAPACITY:
6KA
BS EN 60898:2003

10

10

10

10

10

10

RCBOs With Solid Neutral Single Pole

TYPE B
ONE MODULE



7932s 7933s



7936s 7937s



7934s 7935s



7938s 7939s

7932s
6A 230V
30MA
TRIPPING CURRENT

7933s
10A 230V
30MA
TRIPPING CURRENT

7934s
16A 230V
30MA
TRIPPING CURRENT

7936s
16A 230V
30MA
TRIPPING CURRENT

10

10

10

10

10

10

Suitable for installation in Sentry Consumer Units.
Positive contact status indication in accordance with 17th Edition IEE Wiring Regulations (537.2.2.2 and 537.3.2.2)

DIMENSIONS:
119 x 18 x 73mm

CABLE CAPACITY:
Live 25mm²,
Neutral 25mm²

SHORT CIRCUIT BREAKING CAPACITY:
6KA
BS EN 61009-1
BS IEC61009-2-2

7935s
20A 230V
30MA TRIPPING CURRENT

7936s
32A 230V
30MA TRIPPING CURRENT

7937s
40A 230V
30MA TRIPPING CURRENT

7938s
45A 230V
30MA TRIPPING CURRENT

7939s
50A 230V
30MA TRIPPING CURRENT

1

1

1

1

1

1

SENTRY CONSUMER UNITS

RCBOs With Solid Neutral Single Pole

TYPE C
ONE MODULE



8932s 8933s 8934s



8935s 8936s

Residential 6kA RCD Double Pole Type AC

16 AMP
TWO MODULE



7816s

32 AMP
TWO MODULE



7832s

40 AMP
TWO MODULE



7840s

8932s
6A 230V
30MA
TRIPPING CURRENT

8933s
10A 230V
30MA
TRIPPING CURRENT

8934s
16A 230V
30MA
TRIPPING CURRENT

8935s
20A 230V
30MA
TRIPPING CURRENT

8936s
32A 230V
30MA
TRIPPING CURRENT

1 7816s
16A 230V
30MA TRIPPING CURRENT

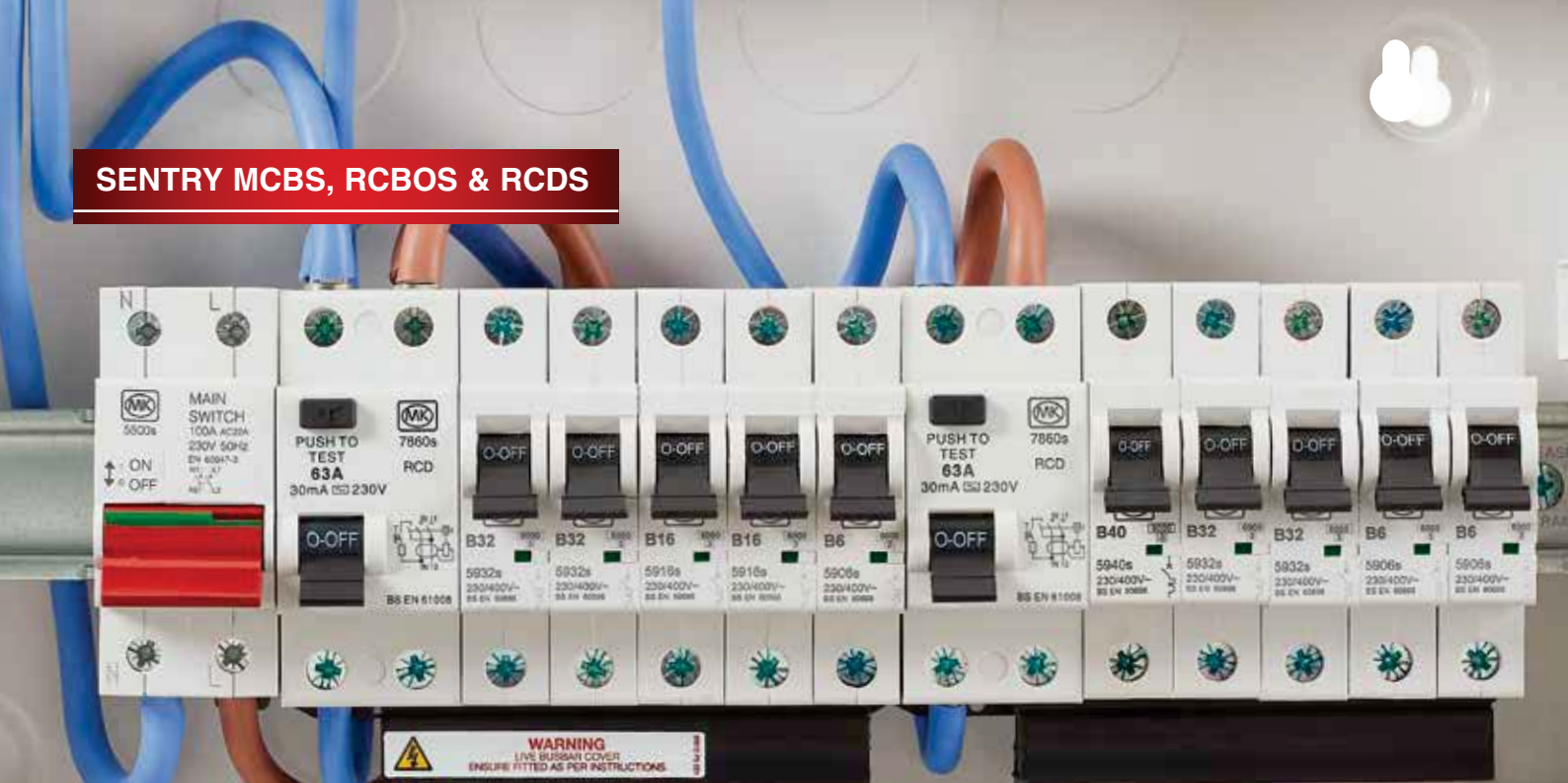
1 7832s
32A 230V
30MA TRIPPING CURRENT

1 7840s
40A 230V
30MA TRIPPING CURRENT

1



SENTRY MCBS, RCBS & RCDS



MK Sentry MCBs

MK Sentry MCBs (Miniature Circuit Breakers) are of the thermo-magnetic, current limiting type and are available with either Type B or Type C operating characteristics. For the purpose of this brochure we have only listed the Type B devices, the full range can be found in the MK Catalogue.

The operating dolly may be locked in either the ON or OFF position without affecting the ability of the trip mechanism to operate. The contacts themselves are manufactured from carefully chosen materials, selected specifically for their low electrical resistance and low propensity to weld under fault conditions.

When the green indicator is visible, a contact gap of 4mm has been achieved, therefore Sentry MCBs may be used as a single pole isolating switch where appropriate. The Sentry MCB has a mid-trip fault indicator. If there is a short circuit or current overload, the dolly moves to the mid-position to indicate a fault.

MK SENTRY MCBS		
LIST NO.	DESCRIPTION	CURRENT RATING
5903s	MCB Single Pole Type B	3A
5906s	MCB Single Pole Type B	6A
5910s	MCB Single Pole Type B	10A
5916s	MCB Single Pole Type B	16A
5920s	MCB Single Pole Type B	20A
5925s	MCB Single Pole Type B	25A
5932s	MCB Single Pole Type B	32A
5940s	MCB Single Pole Type B	40A
5945s	MCB Single Pole Type B	45A
5950s	MCB Single Pole Type B	50A

For the full range of MK Sentry MCBs refer to the main MK Catalogue.



SENTRY MCBS, RCBS & RCDS



Example configuration



MK Sentry RCBOs

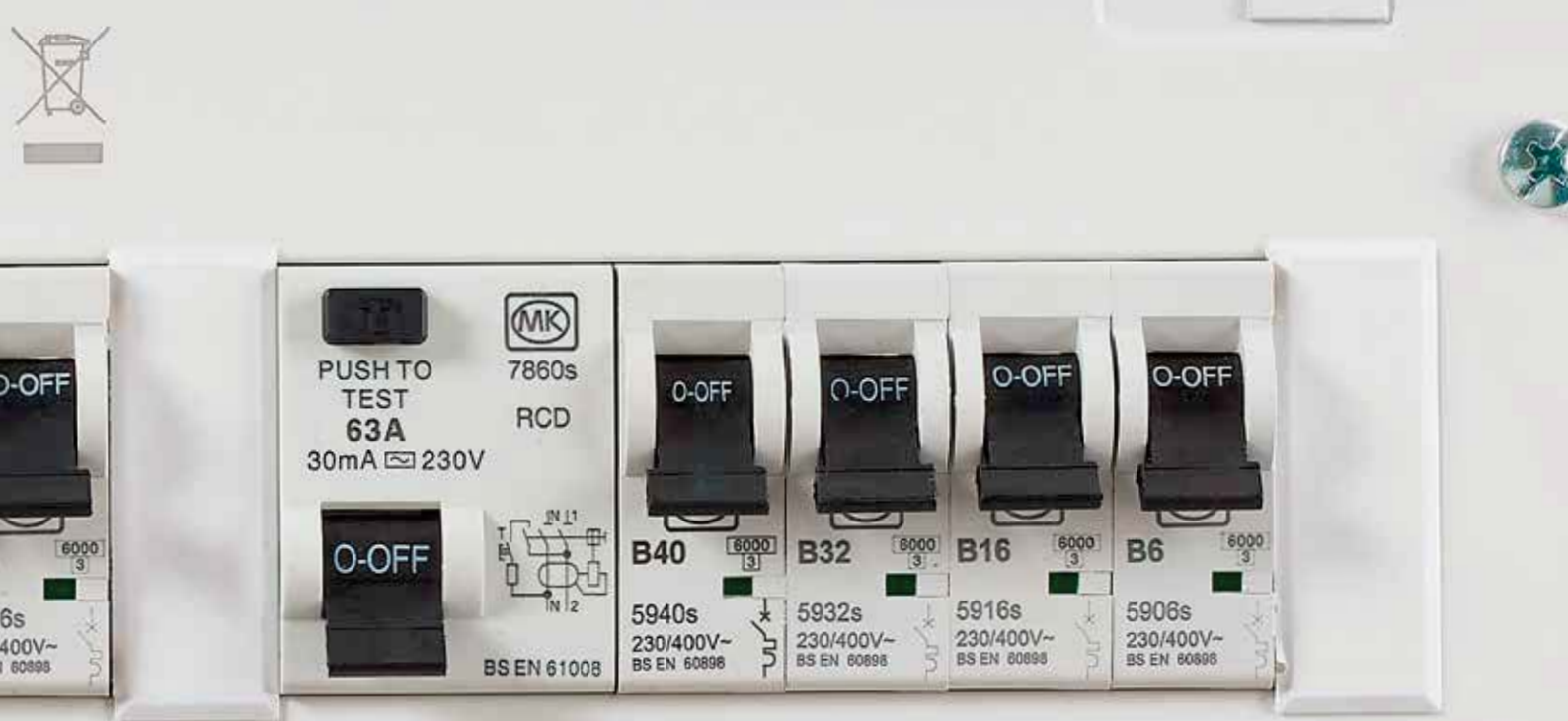
MK Sentry RCBOs (Residual Current Breakers with Overcurrent Protection) are of the solid neutral type, single pole, in one module format. The RCBOs are a combination of a Type B MCB and a 30mA RCD. This enables both overcurrent protection and earth fault current protection to be provided by a single unit.

This combination allows earth fault protection to be restricted to a single circuit, thus ensuring that only the circuit with the fault is interrupted.

The operating dolly on all MK Sentry RCBOs may be locked in either the ON or OFF position without affecting the ability of the trip mechanism to operate.

MK SENTRY RCBS			
LIST NO.	DESCRIPTION	CURRENT RATING	TRIPPING CURRENT
7932s	RCBO With Solid Neutral Type B	6A	30mA
7933s	RCBO With Solid Neutral Type B	10A	30mA
7934s	RCBO With Solid Neutral Type B	16A	30mA
7935s	RCBO With Solid Neutral Type B	20A	30mA
7936s	RCBO With Solid Neutral Type B	32A	30mA
7937s	RCBO With Solid Neutral Type B	40A	30mA
7938s	RCBO With Solid Neutral Type B	45A	30mA
7939s	RCBO With Solid Neutral Type B	50A	30mA

For the full range of MK Sentry RCBOs refer to the main MK Catalogue.



MK Sentry RCDs

The MK Sentry range of RCDs (Residual Current Devices) offer a comprehensive selection of devices designed to meet most residential, commercial and light industrial requirements. The range includes two and four pole, a.c., d.c. fault current sensitive and time delayed models, and a selection of current ratings from 16A to 100A, in a variety of tripping sensitivities. For the purpose of this brochure we have only listed the 30mA 230V devices, the full range can be found in the MK Catalogue.

When in the OFF position a contact gap of 4mm is present, enabling Sentry RCDs to be used as isolating switches where appropriate. When the green indicator is visible, a contact gap of 4mm has been achieved.

The operating dolly may be locked in either the ON or the OFF position without affecting the ability of the trip mechanism to operate, i.e. the RCD is 'trip-free'. It is not possible to hold the contacts closed when a fault condition exists.

All MK Sentry RCDs incorporate a filtering device to provide protection against transient surges in the supply to the unit, thus reducing the occurrence of unwanted tripping.

MK SENTRY RCDs WITH 30mA TRIPPING CURRENT			
LIST NO.	DESCRIPTION	CURRENT RATING	TRIPPING CURRENT
7816s	RCD Double Pole 230V Two Module Type AC	16A	30mA
7832s	RCD Double Pole 230V Two Module Type AC	32A	30mA
7840s	RCD Double Pole 230V Two Module Type AC	40A	30mA
7860s	RCD Double Pole 230V Two Module Type AC	63A	30mA
7880s	RCD Double Pole 230V Two Module Type AC	80A	30mA
6716s	RCD Pulsating D.c. Fault Current Sensitive Double Pole 230V Two Module Type A	16A	30mA
6630s	RCD Pulsating D.c. Fault Current Sensitive Double Pole 230V Two Module Type A	32A	30mA
5640s	RCD Pulsating D.c. Fault Current Sensitive Double Pole 230V Two Module Type A	40A	30mA
5660s	RCD Pulsating D.c. Fault Current Sensitive Double Pole 230V Two Module Type A	63A	30mA

For the full range of MK Sentry RCDs refer to the main MK Catalogue.

GLOSSARY OF TERMS

To interpret the new regulations, it is necessary to understand the terminology used. Electrical Contractors should familiarise themselves with the following terms.

A complete glossary is published at the end of the 17th Edition document, here we have highlighted those which are particularly relevant to the content of this brochure.

SKILLED PERSON (ELECTRICALLY)

Person who possesses, as appropriate to the nature of the electrical work to be undertaken, adequate education, training and practical skills, and who is able to perceive risks and avoid hazards which electricity can create.

INSTRUCTED PERSON (ELECTRICALLY)

Person adequately advised or supervised by a skilled person (as defined) to enable that person to perceive risks and to avoid hazards which electricity can create.

Note: The term “(electrically)” is assumed to be present where the terms ‘instructed person’ is used throughout BS7671.

Regulation 16 of the Electricity at Work Regulations 1989 requires persons to be competent to prevent danger and injury. The HSE publication HSR 25 provides guidance on this.

BASIC PROTECTION

Protection against electric shock under fault-free conditions. Note: For low voltage installations, systems and equipment, basic protection generally corresponds to protection against direct contact, that is ‘contact of persons or livestock with live parts’.

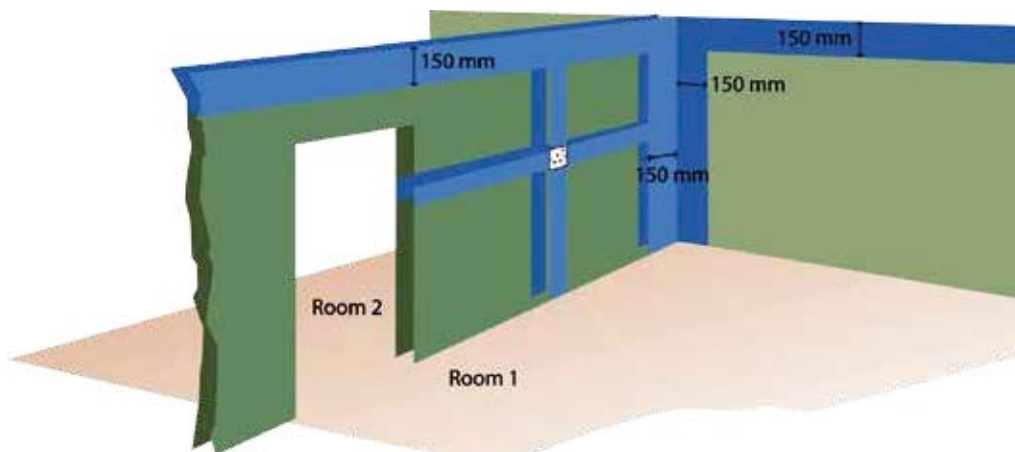


FAULT PROTECTION

Protection against electric shock under single-fault conditions. Note: For low voltage installations, systems and equipment, fault protection generally corresponds to protection against indirect contact, mainly with regard to failure of basic insulation. Indirect contact is ‘contact of persons or livestock with exposed-conductive-parts which have become live under fault conditions’.

SAFE ZONE

Regulation 522.6.6 refers to a cable installed in a wall or partition at a depth of less than 50mm from the surface. Method (v) refers to the Safe Zone which is the area within 150mm from the top of the wall or partition, or within 150mm of an angle formed by two adjoining walls or partitions. Where the cable is connected to a point, accessory or switchgear on any surface of the wall or partition, the cable may be installed in a zone either horizontally or vertically, to the point, accessory or switchgear. Where the location of the accessory, point or switchgear can be determined from the reverse side, a zone formed on one side of a wall if 100mm thickness or less, or partition of 100mm thickness or less, extends to the reverse side.



MK Electric

UK

The Arnold Centre, Paycocke Road, Basildon,
Essex, SS14 3EA, United Kingdom
Customer Service Tel +44 (0)1268 563404
Customer Service Fax +44 (0)1268 563405
E-mail mkorderenquiries@honeywell.com

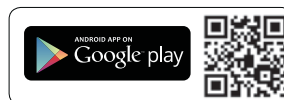
Technical

Tech Helpline Tel +44 (0)1268 563720
Tech E-mail mk.technical@honeywell.com

Ireland

Sales Telephone +353 1 429 6530
Sales Fax +353 1 429 6501
E-mail mkirelandorders@honeywell.com

www.mkelectric.co.uk



Download the new
App from Honeywell.

