

Diagram D Professional Showerlite luminaire

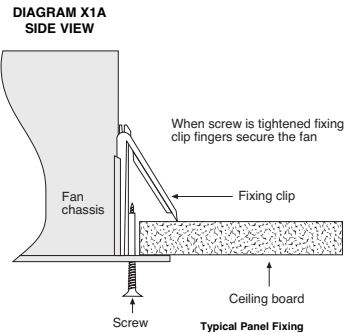
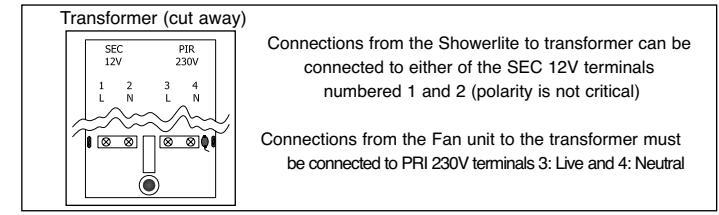
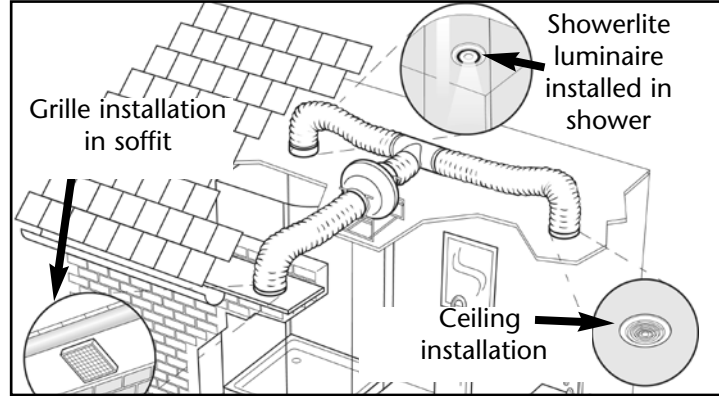


Table 1 **SHOWERFAN DIMENSIONS**

100mm/4"	100mm
120mm/5"	135mm
150mm/6"	155mm

Table 2 **SHOWERLITE DIMENSIONS**
Recommended minimum Hole Ø

TYPE/SIZE	Using Screws	Using Clips
100mm	102mm	115mm
120mm	120mm	135mm
150mm	150mm	165mm

5. Fitting the induct professional fan

- Select a suitable place for the fan to be screwed to a joist and secure using two screws through the fixing bracket. A minimum of 500mm of ducting should be used either side of the fan, on the discharge of the luminaire and on the discharge of the outlet grill.
- Using the external grille select a suitable position either in the soffit or on an outside wall and cut a 4.5"/115mm hole. Attach one end of the flexible duct to the grille with one of the straps provided and from the outside feed the ducting through the hole until the grille is flush with the soffit/wall. Secure the grille to the wall. N.B. It is best not to cut the flexible ducting until the grille with the flexible ducting attached has been screwed to the outside surface so as to avoid the possibility of cutting the duct too short.
- Pull the flexible ducting gently to the discharge spigot of the fan and cut it to length and connect to the fan with another of the straps provided.
- Connect the other piece of duct to the Showerlite and onto the fan as before using the other straps provided. Cut off and discard any excess ducting. N.B. Make sure wherever possible to keep the ducting running in a straight line as this will improve the performance of the fan.

PLEASE NOTE: When installing the Professional Showerlite luminaire an additional ceiling grille can be installed using the T-connector.

IMPORTANT: The Professional Showerlite luminaire is type 120mm. Lamp Type MR16 12V MAX 35W

NOTE: All wiring must be fixed securely and the cable to the fan should be a minimum of 1mm² in section. All wiring must comply with current IEE Regulations. If in any doubt contact a qualified electrician. Fit the Blind Cable grommet in the cable entry hole and pierce with a 4mm diameter bradle or screw driver. Push the supply cable through the grommet leave enough cable to make the electrical connections always secure the supply cable with the cable grip. This unit is double insulated.

WARNING: Switch off mains supply before making any electrical connections. Installation must be supervised by a qualified electrician.

This appliance is not intended for use by persons (including children) with reduced physical, sensory or mental capabilities, or lack of experience and knowledge, unless they have been given supervision or instruction concerning use of the appliance by a person responsible for their safety. Children should be supervised to ensure that they do not play with the appliance.

Precautions must be taken to avoid the back-flow of gases into the room from the open flue of gas or other open-fire appliances when mounted in outside windows or walls.

MAINTENANCE: Fan and luminaire must be disconnected from power supply and luminaire allowed to cool before any maintenance is carried out.

To change faulty lamps see page 4 – Installation of Showerlite luminaire & Professional Showerlite luminaire.

The Showerlite bezel can be removed and cleaned with a cloth

The Showerlite housing and fan can be cleaned with a cloth

It is recommended to check the electrical connections annually

100mm 4"/120mm 5"/150mm 6" RANGE OF SHOWERFAN, SLIMLINE FAN, CENTRIFUGAL SHOWERFAN, SHOWERLITE LUMINAIRE AND PROFESSIONAL SHOWERLITE LUMINAIRE STANDARD, TIMER & AUTOMATIC MODEL INSTALLATION INSTRUCTIONS

Installation of Showerfan & Centrifugal Showerfan

1. The slimline fan can be fitted in a shower cubicle, next to baths and above taps where regulations prevent installation of conventional fans. Cut a hole in the ceiling (see table 1 for dimensions) directly over the shower head ensuring first that the area above is free from obstruction and between two joists. A minimum of 500mm of ducting should be used either side of the fan, on the discharge of the luminaire and on the discharge of the outlet grille.

- Using the internal circular grille, carefully remove the grille from its housing by levering gently at the sides with a small screwdriver. Push the grille into the hole in the ceiling and make sure it is square to the walls and then mark the position of the fixing holes on the ceiling. Drill and plug the holes and screw the grille to the ceiling then refit the grille to the chassis fitted to the ceiling.
- Select a suitable place for the Fan to be screwed to a joist and secure using two screws through the fixing bracket.
- Using the external square grille select a suitable position either in the soffit or on an outside wall and cut a 4.5"/115mm hole. Attach one end of the flexible duct to the grille with one of the straps provided and from the outside feed the ducting through the hole until the grille is flush with the soffit/wall. Secure the grille to the wall as before.

- Pull the flexible ducting gently to the discharge spigot of the fan and cut it to length and connect to the fan with another of the straps provided.

NB: The discharge end of the Fan Unit is the end where you can see the fan blade clearly. There is also an arrow on the unit showing airflow direction.

- Connect the other piece of duct to the ceiling grille and onto the fan as before using the other straps provided. NB: Make sure wherever possible to keep the ducting running in a straight line as this will improve the performance of the fan.

- Remove the cover on the Fan Bracket and make the electrical connection as follows: **IMPORTANT:** Fit the Blind Cable grommet in the cable entry hole and pierce with a 4mm diameter bradle or screw driver. Push the supply cable through the grommet leave enough cable to make the electrical connections, secure the cable with the cable grip.

● Wiring of Standard Model.

The fan can either be operated from a separate pullcord switch fitted to the ceiling of the shower room or can be connected to the light switch so that the fan will start when the light is switched on. A double pole fused spur having a contact separation of at least 3mm in all poles must be used and fitted with a 3amp fuse, and should be sited outside any room containing a shower or fixed bath. The fan should not be accessible to a person using either the shower or the bath.

2. Wiring of Timer Model Diagram A

The fan can either be operated from a separate pullcord switch fitted to the ceiling of the shower room or can be connected to the light switch so that the fan will start when the light is switched on. A double pole fused spur having a contact separation of at least 3mm in all poles must be used and fitted with a 3amp fuse, and should be sited outside any room containing a shower or fixed bath. The fan should not be accessible to a person using either the shower or the bath.

Note: All wiring must be fixed securely and the cable to the fan should be a minimum of 1mm² in section. All wiring must comply with current IEE Regulations. If in any doubt contact a qualified electrician.

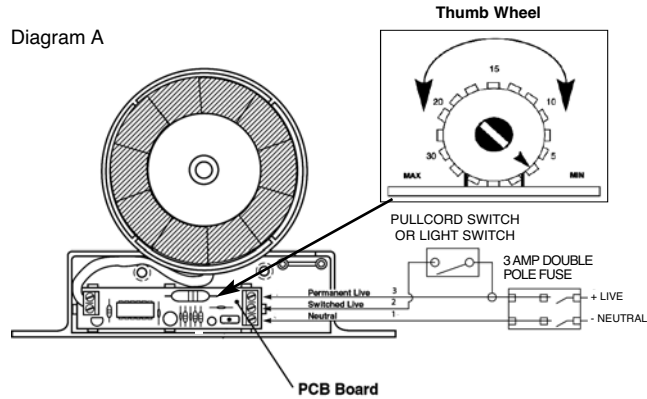
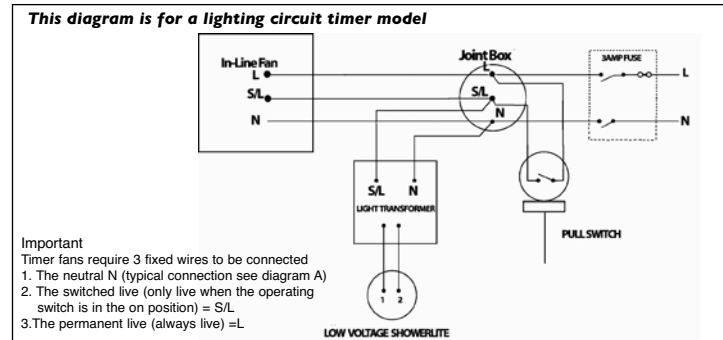


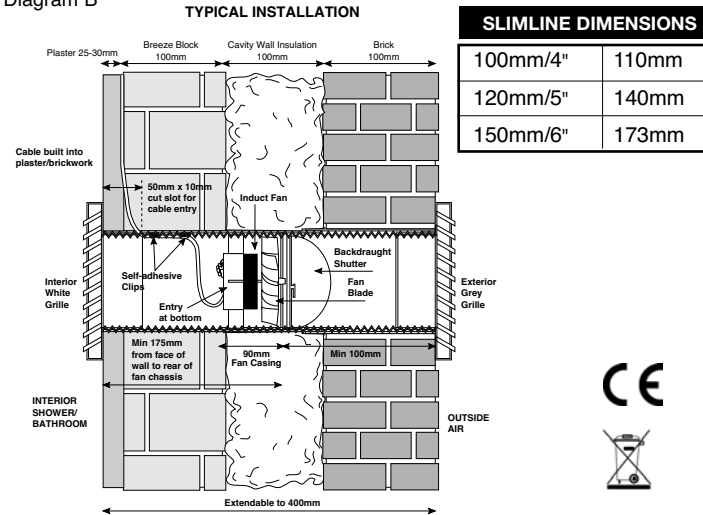
Diagram 1



3. Installation of Slimline model Diagram B

- Select suitable position for fan and cut a suitable diameter hole (see dimension below) in the wall. Bring power cable into position as indicated in diagram B. Allow a minimum of 250mm (10") extra length. When cutting slot in ducting ensure it is correctly positioned for cable entry as diagram B.
N.B. WARNING: Aluminium ducting has sharp edges.
- After passing cable through hole, extend flexible duct to width required (maximum 350mm long). Insert into hole and make good with duct flush either side. Do not build in cable at this stage see item B. Fix outer grey grille (fixed) into position. Insert backdraught shutter until it touches external grille.
- Wire up fan see internal label. Fan can either be operated from a separate pullcord switch fitted to the ceiling of the room or can be connected to the light switch so that the fan will start when the light is switched on. A double pole fused spur having a contact separation of at least 3mm in all poles must be used and fitted with a 3 amp fuse and should be sited outside any room containing a shower or fixed bath.
- Insert fan into duct as diagram A and sure a minimum of 175mm from face of wall to rear of fan chassis. Clip cable into self adhesive clips and place in position as indicated. (Ensure you apply foam tape around fan body).
- Make good around cable at edge of duct and fit internal fixed grille

Diagram B



077125



REV 2 03/10

4. Installation of Showerlite Luminaire & Professional Showerlite Luminaire Diagram C / D

- Hold the body of the Showerlite luminaire against the wall or ceiling and mark the four screw holes and the cable entry on the side. (Use the fixing clips to secure the fan in panel walls & ceilings). See diagram X1A.
- Connect the Transformer to the Showerlite luminaire and to a suitable power supply, ideally switched live of the Extractor Fan or Bathroom lighting circuit. See diagram 1.

IMPORTANT: The Showerlite luminaire must not work independently of the fan. IMMEDIATE 12V power source to the down lighter must be short-circuit proof.

- Where the installation does not permit connecting the LV leads from the lamp housing directly into the remote transformer an extended lead can be used using wiring a minimum of 1mm sq in section, the terminal block included and a standard BS6220 5 amp junction box. Terminal block not included. Installation may require advice from a qualified person.
- Place the ceiling cover onto the Showerlite luminaire Chassis by locating onto the 3 lugs, and twisting anti-clockwise. Never connect mains supply direct to the class III Showerlite luminaire. Power input - 12 volts AC 50VA

WARNING

Disconnect the power supply, and be sure that the Lamp has fully cooled before removing or replacing. (Max Lamp Wattage 35 Watts)

When installed not suitable for covering with thermally insulated material.

MAINTENANCE

Replace faulty dichroic lamps with self-shielded type: MR16 12V MAX 35W Luminaire can be cleaned with a damp cloth

To change the Professional Showerlite lamp follow steps 1 - 5 below

1. Twist the lamp housing anticlockwise and lower from the Showerlite body.
2. Remove the lamp holder from the lamp pins
3. Remove old lamp and clip new lamp into lamp housing
4. Connect the lamp holder to lamp pins
5. Offer up the lamp housing and twist clockwise until holding lugs engage and secure housing (Do not over tighten)

To change the showerlite lamp follow step 1-2 below

1. Remove faulty lamp by pulling out of lamp housing.
2. Replace new lamp by aligning the 2 lamp pins with the lamp holder in the lamp housing and pushing into position.

