

Product Code: CL20MB  
Conlok Malleable Conduit Box



### Description

20mm Conlok Solid Bend

### Finish

Hot Dipped Galvanised

### Material

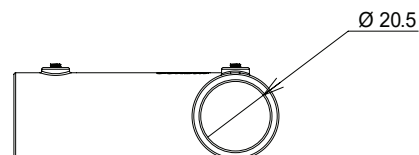
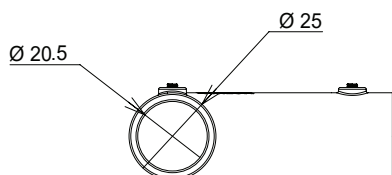
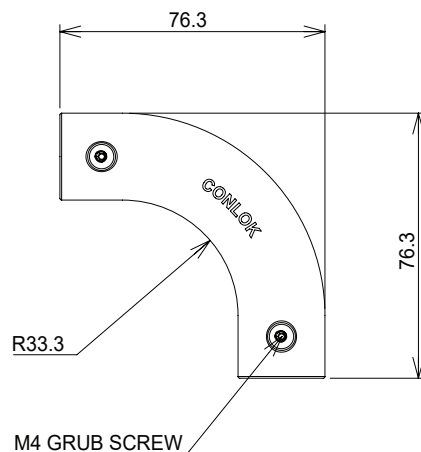
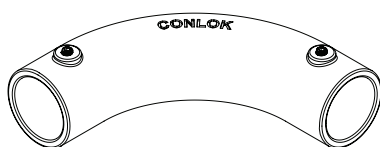
Malleable Iron

### Packaging

Packed in qty 20

### Additional Notes

Conforms to BS EN 61386-21:2021+A11:2021  
Supplied with 12.9 Grade grub screw  
1 x Allen key supplied in each inner box



Values are nominal and with a general tolerance  $\pm 5\%$  unless otherwise specified