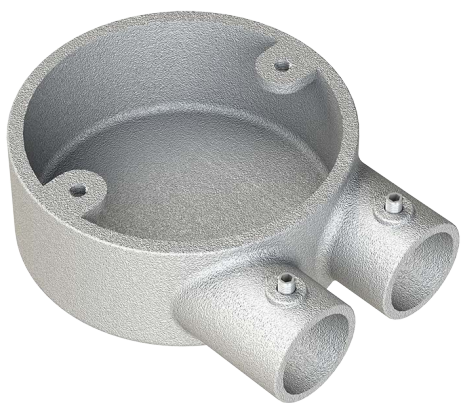


Product Code: CL6G  
Conlok Malleable Conduit Box



#### Description

20mm Branch U Conlok Conduit Box

#### Finish

Hot Dipped Galvanised

#### Material

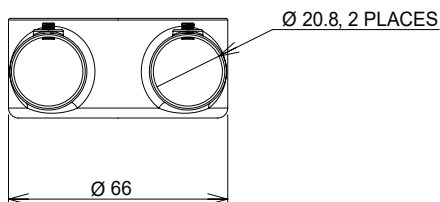
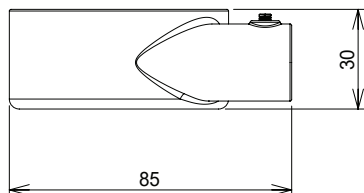
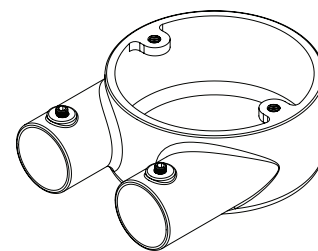
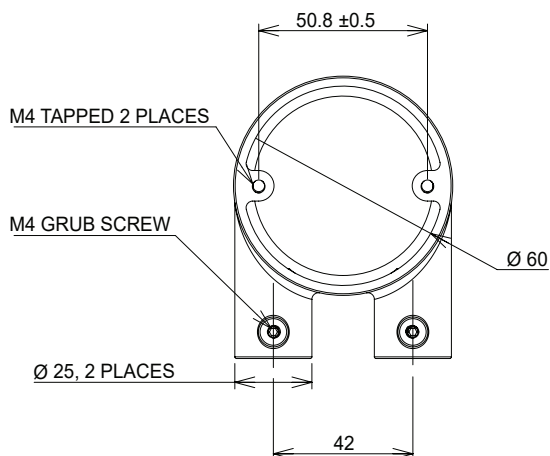
Malleable Iron

#### Packaging

Packed in qty 10

#### Additional Notes

Conforms to BS EN 61386-21:2021+A11:2021  
Supplied with 12.9 Grade grub screw  
1 x Allen key supplied in each inner box



⊕ Values are nominal and with a general tolerance  $\pm 5\%$  unless otherwise specified