

VARILIGHT® Dimmable AC/DC Converter Systems for 12V d.c. LED Strip

Instructions for Use

Part Numbers:
YT30DC12
YT45DC12
 Reg: D151

Application:

Dimmable power supply for 12V d.c. LED strip (or 12V d.c. LED lamps).

Recommended Load:

Rating of the VARILIGHT Transformer used with the Converter	Maximum load per AC/DC Converter when powering LED Strips	Maximum load per AC/DC Converter when powering LED Lamps
35W/VA	30 W (e.g. LED Strip 3528/120LED/9.6 W – length 3 m or 5050/60LED/14.4 W – length 2 m)	20 W (e.g. LED Lamp MR16/ 12V/ GU5.3/ 7.0 W - quantity x 2)
50W/VA	45 W (e.g. LED Strip 3528/120LED/9.6 W – length 4.5 m or 5050/60LED/14.4 W – length 3 m)	20 W (e.g. LED Lamp MR16/ 12V/ GU5.3/ 7.0 W - quantity x 2)

LED Strip Installation:

It is possible to power several lengths from one AC/DC converter as long as the total load is less than the maximum rating by connecting the LED strips in parallel (see Fig. 1 and Fig. 2 below for possible configurations)

Dimming LED Strips

Choose VARILIGHT® V-Pro dimmers to dim LED strip lighting. Refer to the maximum load information for low voltage transformers provided with the dimmer to determine the maximum permitted load (measured by the total wattage of transformers to be connected) and, in any case, do not exceed 250W per dimmer circuit.

Installation Advice

- **IMPORTANT:** Always turn off the electricity supply at the mains before beginning any electrical work.
- Always mount transformers and converters in a horizontal orientation. Do not mount transformers or AC/DC converters vertically.
- VARILIGHT AC/DC converters are suitable for indoor use only.
- Install in a well-ventilated location, away from heat sources (the maximum operating temperature is 40°C).
- Do not connect the output cables of one transformer or converter to those of another.
- Observe the correct polarity when connecting the LED load.
- To achieve even light levels use identical lengths of LED strip on the output side of the AC/DC converter(s).
- The light switch or dimmer switch should be located on the primary (input) side of the transformer.
- If you require a longer cable than supplied (for transformers and AC/DC converters with integral cables) then use a proprietary terminal block to connect a suitable additional cable (min 2 x1.0mm², ensuring no bare wires protrude from the terminals and keeping the length of additional wiring to a minimum).

Typical LED Strip Installation:

FIGURE 1

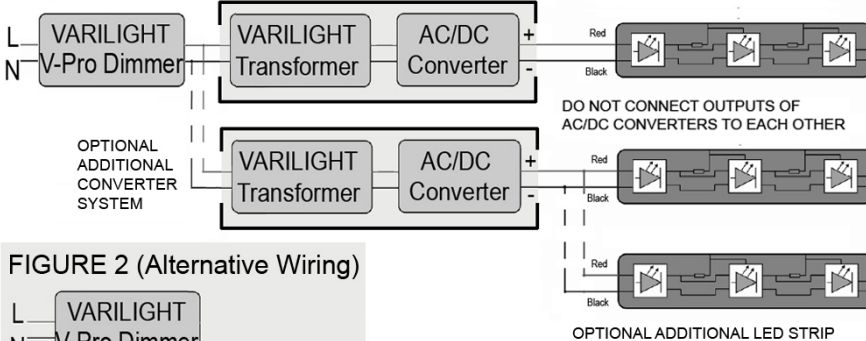
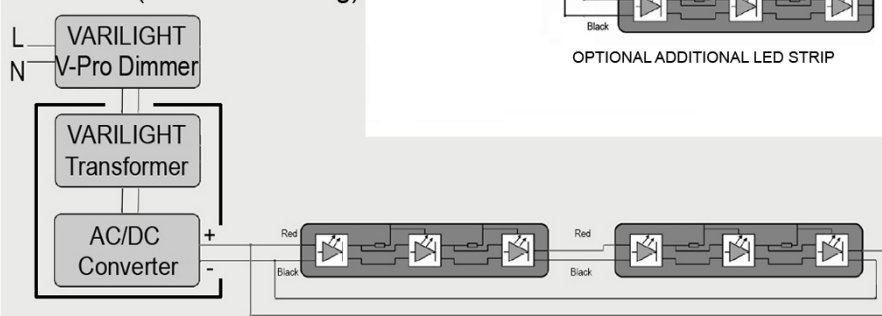


FIGURE 2 (Alternative Wiring)



GUARANTEE

In case of any defect return the transformer to our service department. This warranty is in addition to and not in derogation of the statutory rights of the purchaser and is offered so that you may have the benefit of our technical facilities. Should a defect occur in this unit within 2 years of its purchase we will replace or repair the defective unit free of charge provided that:-

- The unit has been correctly fitted according to the instructions;
- The transformer or converter have not been tampered with or taken apart;
- The unit is securely packed and safely returned to:- Service Department, Carylls Lea, Faygate, Horsham, West Sussex, RH12 4SJ together with a letter stating the guarantee registration number below, the date and place of purchase, details of the fault, the type and wattage of the light(s) being controlled and what kind of switch or dimmer was used. This guarantee states Varilight's entire liability, which does not extend to cover consequential loss or damage or installation costs arising from a defective product.

GUARANTEE REGISTRATION NUMBER : D151
 © DOYLE & TRATT PRODUCTS LTD 2014
www.varilight.co.uk