

new

ATOM

COMPACT DOWNLIGHT



The new ATOM compact downlight offers a 1x13W or 1x18W horizontal downlighter, complete with integral electronic control gear and push fit wing fixing.

Supplied as standard with white bezel and aluminium reflector.

Also available with a pre-wired emergency battery pack for 3hr duration.

Features

- Compact integrated design only 93mm recessed depth.
- Supplied prewired.
- Designed to fit ceilings with voids as shallow as 100mm with required air gap above.
- Horizontal lamp position maximises light output.
- Hinged lamp holder for easy lamp change.
- Designed to suit standard 127mm hole cutter aperture for fast installation.
- Highly specular Aluminium reflector.
- 13w / 18w HF or HF Emergency options.
- Twist lock Bezel available in White / Chrome / Satin / Brass.
- IP65 / Drop Glass attachments.
- Dimmable 13w / 18w option.
- IP65 version available with clear or optional opal lens.
- Conforms to part L1 of the building regulations.



ASD
LIGHTING

new

ATOM

COMPACT DOWNLIGHT

Open Fascia	1X 13W HF	1 X 18W HF
White	AT1/WS113E	AT1/WS118E
Chrome	AT1/HS113E	AT1/HS118E
Satin Aluminium	AT1/FS113E	AT1/FS118E
Brass	AT1/ZS113E	AT1/ZS118E
Drop Glass	1X 13W HF	1 X 18W HF
White	AT1/WD113E	AT1/WD118E
Chrome	AT1/HD113E	AT1/HD118E
Satin Aluminium	AT1/FD113E	AT1/FD118E
Brass	AT1/ZD113E	AT1/ZD118E
IP65	1X 13W HF	1 X 18W HF
White	AT1/W6113E	AT1/W6118E
Chrome	AT1/H6113E	AT1/H6118E
Satin Aluminium	AT1/F6113E	AT1/F6118E
Brass	AT1/Z6113E	AT1/Z6118E
IP65 Drop Glass	1X 13W HF	1 X 18W HF
White	AT1/WD6113E	AT1/WD6118E
Chrome	AT1/HD6113E	AT1/HD6118E
Satin Aluminium	AT1/FD6113E	AT1/FD6118E
Brass	AT1/ZD6113E	AT1/ZD6118E
Open Fascia	1X 13W HF M3	1 X 18W HF M3
White	AT1/WS113EM	AT1/WS118EM
Chrome	AT1/HS113EM	AT1/HS118EM
Satin Aluminium	AT1/FS113EM	AT1/FS118EM
Brass	AT1/ZS113EM	AT1/ZS118EM
Drop Glass	1X 13W HF M3	1 X 18W HF M3
White	AT1/WD113EM	AT1/WD118EM
Chrome	AT1/HD113EM	AT1/HD118EM
Satin Aluminium	AT1/FD113EM	AT1/FD118EM
Brass	AT1/ZD113EM	AT1/ZD118EM
IP65	1X 13W HF M3	1 X 18W HF M3
White	AT1/W6113EM	AT1/W6118EM
Chrome	AT1/H6113EM	AT1/H6118EM
Satin Aluminium	AT1/F6113EM	AT1/F6118EM
Brass	AT1/Z6113EM	AT1/Z6118EM
IP65 Drop Glass	1X 13W HF M3	1 X 18W HF M3
White	AT1/WD6113EM	AT1/WD6118EM
Chrome	AT1/HD6113EM	AT1/HD6118EM
Satin Aluminium	AT1/FD6113EM	AT1/FD6118EM
Brass	AT1/ZD6113EM	AT1/ZD6118EM

Specification

Lamp Types

- 1 x 13w TC-T 4 pin lamp GX24-q1.
- 1 x 18w TC-T 4 pin lamp GX24-q1.

Materials

- Housing material - polycarbonate
- Reflector Spun aluminium. Faceted bright anodised aluminium.
- Max.case temp. 80°C (at test point).

Installation

- Mounting suitable for mounting on normally flammable material 'F' mark.
- Fixing method sprung steel push fit wings suitable for ceilings between 5-20mm.

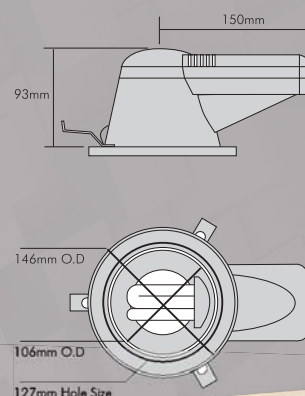
Standards

- CE mark conformance to low voltage & EMC directives.
- BS EN 60598-2-2., BS EN 60928.

Options

- High frequency.
- High frequency emergency.
- Dimmable.

Dimensions



ASD Lighting plc

Mangham Road, Barbot Hall Industrial Estate, Rotherham S61 4RJ

Tel: 01709 374898 Fax 01709 830533

Email: sales@asdlighting.co.uk