

DM201-2

Double Monitor Dual Arm Extension Desktop Mount

Item ref: 129.521UK

User Manual

Thank you for choosing the DM201-2 desk bracket. This bracket is constructed from reinforced steel for mounting two screens from 10" to 27" up to 8kg. Designed to be easily installed and supplied with all required installation hardware.

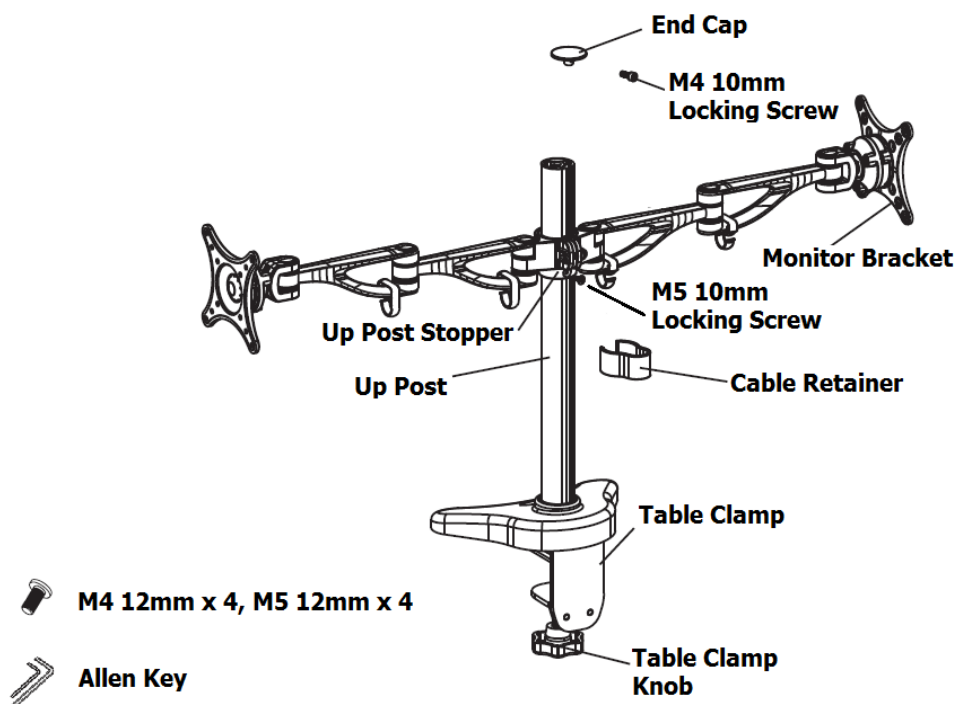
Caution:

Please read this manual thoroughly to avoid damage to property or personnel. If unsure of any part of this manual please refer to professional installer for help:

- This product contains small components that could pose a choking hazard if swallowed, please keep out of reach of children.
- This product is designed for mounting on wall studs or concrete wall. Always ensure the mounting surface will be capable of withstanding the combined weight of the TV bracket and TV, reinforcement may be required for aged or weak walls.
- Safety gear such as gloves and safety goggles must be worn during the installation. A minimum of two people are required throughout the installation, failure to do so may result in injury or damage.
- This product is design for indoor use only. The bracket must be inspected at least every two months for loose joints or aged parts.

Contents:

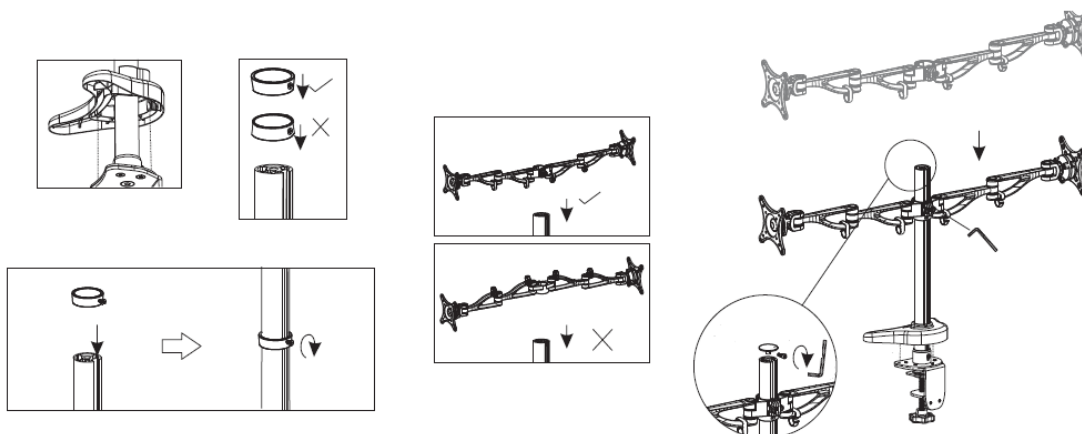
Please check all contents listed below are included inside the box. If anything is missing please return to the retailer or dealer.



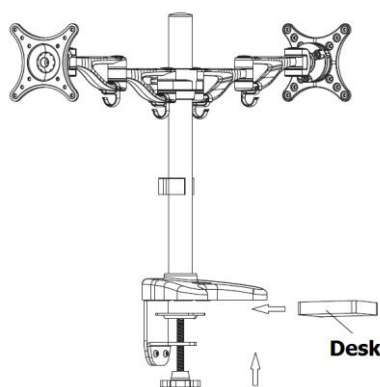
For this installation you will also require a tape measure and a Philips (cross) screw driver.

Step 1 – Assemble desktop mount:

- Slide the table clamp cover all the way down until it clicks to the base of the mount.
- Slide in the post stopper until desired height is reached and tighten the locking screw using supplied Allen key. Ensure the narrow end of the stopper is facing downwards.
- Slide the support arm down fully until it hits the stopper then tighten the hand knob. Please ensure the flat surface of the arm is facing upwards.
- Fit the end cap on top of the post and lock it using the M4 10mm screw and supplied Allen key.



Step 2 – Fit the desktop mount onto the table, the desktop depth should be between 15mm to 55mm. When fitting ensure the edge of the desktop is fully pushed in against the side of the clamp, also ensure the area clamped is as big as possible to allow load spread. Fully tighten the clamp when desktop is in place.



Step 3 – Mounting screens. After checking the desktop mount is installed firmly, the monitors can now be installed on to the mount. Check the weight of each monitor is no more than 8kg before installing. Use the correct sized screws for your screen from the screws supplied and fit the screen on as shown in the diagram below. Tuck all cables into the cable management hook at the bottom of the bracket to finish the installation.

