



16 Inch Copper Tripod Stand Fan

Order ref: 450.008UK

User Manual

A stylish, height-adjustable tripod fan with 3 speed settings, oscillating head and tilt control. It is quiet yet powerful and features flexible height and directional adjustment for focused coverage. The steel mesh guard is easy to detach and replace, allowing for easy cleaning of the interior and fan blades as required. This unique fan offers a tripod stand base with an industrial copper finish to bring a retro style to your home and work.

Specification:

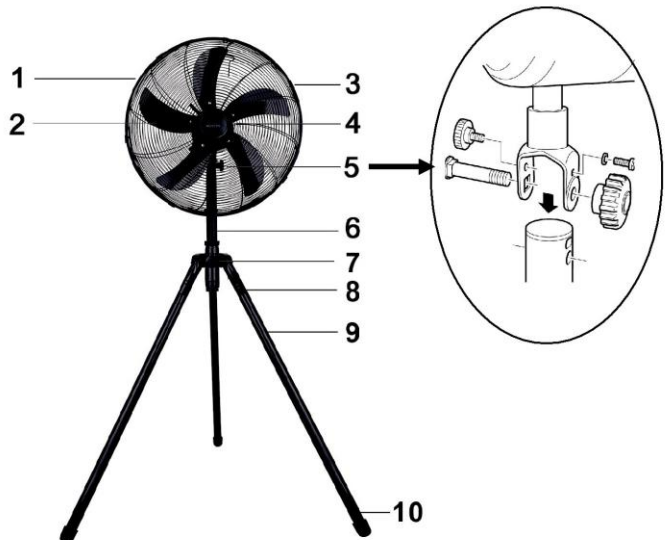
Cable length	1.6m
Power output	50W
Blade diameter	400mm
Mains power	220-240V
Height adjustment	1220mm to 1350mm
Dimensions	1320 x 900 x 790mm
Weight	4.9 kg

Features:

- Quiet yet powerful 50W motor
- 3 speed settings
- Versatile height, swivel and tilt adjustments
- Attractive copper finish
- Tripod stand base with non-slip rubber feet for extra stability

Assembly diagram (Fig. 1)

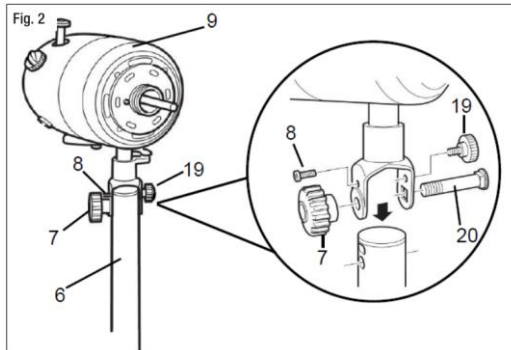
1. Front grille
2. Fan blade
3. Rear grille
4. Controls (on rear housing)
5. Tilt adjustment screws
6. Centre column
7. Height adjustment screw
8. Tripod leg bracket
9. Tripod leg
10. Rubber non-slip feet



Assembling the tripod base (see Fig. 1):

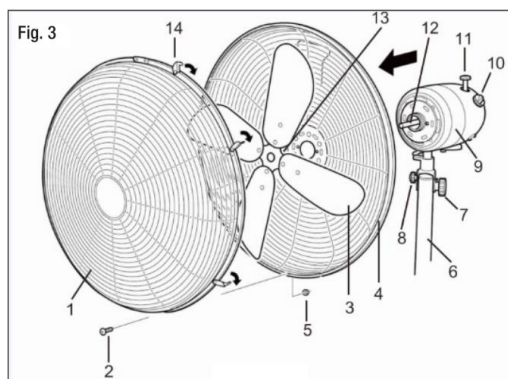
1. Carefully unpack the fan components and check for any damage.
2. Locate the tripod leg bracket assembly (8, 6) and 3pcs of tripod legs (9) and carefully screw each leg into the holes on the bracket, ensuring not to overtighten.
3. Stand the tripod base on the floor and adjust the legs until secure.
4. Finally slide the centre column (6) out of the tripod base to the desired height and secure with the height adjustment screw (7)

Attaching the motor housing to the stand base (see Fig. 2):



1. First remove the pivot screw (7) and the bolt (20) from the top of the centre column, then remove the neck retaining screw (8) and small adjustment screw (19) from the motor housing bracket.
2. Place the motor housing on the top of the stand and thread the large pivot bolt (20) through the bracket. Screw in the small retaining screw (8) and tighten, but do not overtighten.
3. Fit the large pivot screw (7) onto the end of the bolt (20) and the small adjustment screw (19) at the other side above the bolt. Tighten the screws while holding the fan motor upright.

Assembling the fan blade and grilles (see Fig. 3):



1. First remove the protective sleeve from the motor shaft (12) and the four rear grille retaining screws from the motor housing. Attach the rear grille (4) to the motor housing (9) using the four screws you just removed. Ensure the handle on the rear grille is at the top.

2. Place the fan blade (3) over the motor shaft (12) and tighten the fan blade retaining screw, ensuring that it tightens against the flat part on the motor shaft.
3. Remove the front guard screw and nut (2, 5) from the front guard and turn the guard retaining clips (14) around the outside edge outwards.
4. Hang the front guard by its hook over the top of the rear guard and bring the front guard down to meet the rear guard and push the clips inwards until they are fastened to each other.
5. Finally fit the guard screw through the holes in the bottom edge of the guard and tighten with the small nut.

Operation (see Fig. 3)

1. Set the fan on a dry, level and secure surface, allowing sufficient space on either side for the oscillation movement.
2. Connect the fan to the mains supply using the 1.6m power lead and plug.
3. To operate the fan, rotate the speed control knob (10) to 1, 2 or 3 to select low, medium or high speed.
4. To stop the fan, rotate the control knob (10) to 0.
5. To make the fan oscillate, press down the oscillation knob (11) on the top of the fan motor.
6. To stop the oscillation in any position, pull up on the oscillation knob (11).
7. To adjust the tilt of the fan, loosen the tilt adjustment screw (7) then simply move the head unit up or down, selecting the desired gradient. Once in place tighten the tilt adjustment screw (7).
8. To adjust the height of the fan, loosen the height adjustment screw (turn it anticlockwise), pull out or push down the extension pole to the desired height, then tighten the screw again firmly.

Cleaning the fan blades:

To clean the fan blades and keep them free from dust and dirt, disconnect the fan from the mains supply and remove the front grille. Clean the blades and grille using a soft, damp cloth, rinsed in soapy water. Take care to not press too hard or allow moisture to get into the fan motor.

Warnings:

- For reasons of electrical safety, this device must never be immersed in water, exposed to damp conditions or excessive force.
- Do not use this device if you find that it is damaged in any way.
- Do not attempt to repair this device or take apart under any circumstances, as this will invalidate your warranty.
- Never cover the fan or place anything on the grilles, as this may result in overheating or fire.
- Never allow foreign objects to be pushed into the motor, or fan blades as this may result in fire, injury or damage to the fan.



This product is classed as Electrical or Electronic equipment and should not be disposed with other household or commercial waste at the end of its useful life. The goods must be disposed of according to your local council guidelines.

*Errors and omissions excepted.
Copyright© 2018. AVSL Group Ltd.*