

Installation instructions

Reson8 Bell Box

8EP420 (W/B) 8EP425 (W/B Dummy bell box)



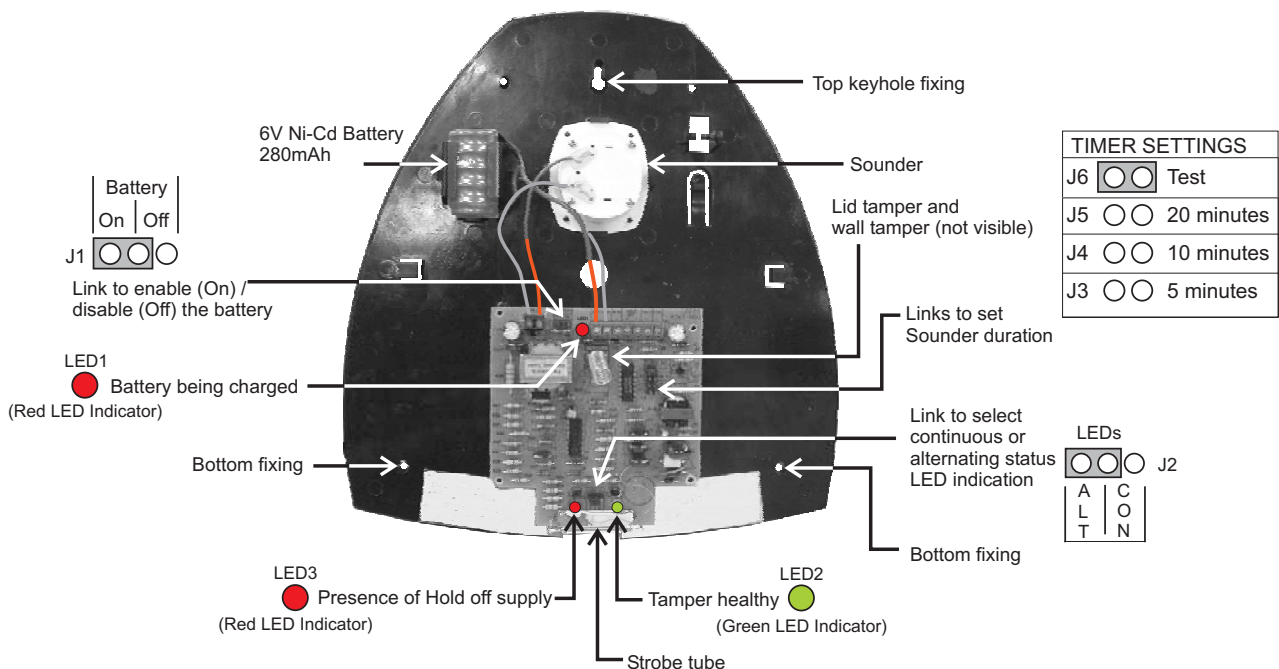
These instructions cover the installation of **Reson8 W/B - white and blue** unit (bell box), which is a self-contained external sounder and strobe. The unit is suitable for wall mounting externally and can be connected to any intruder control panel. The dummy bell box has no functionality.

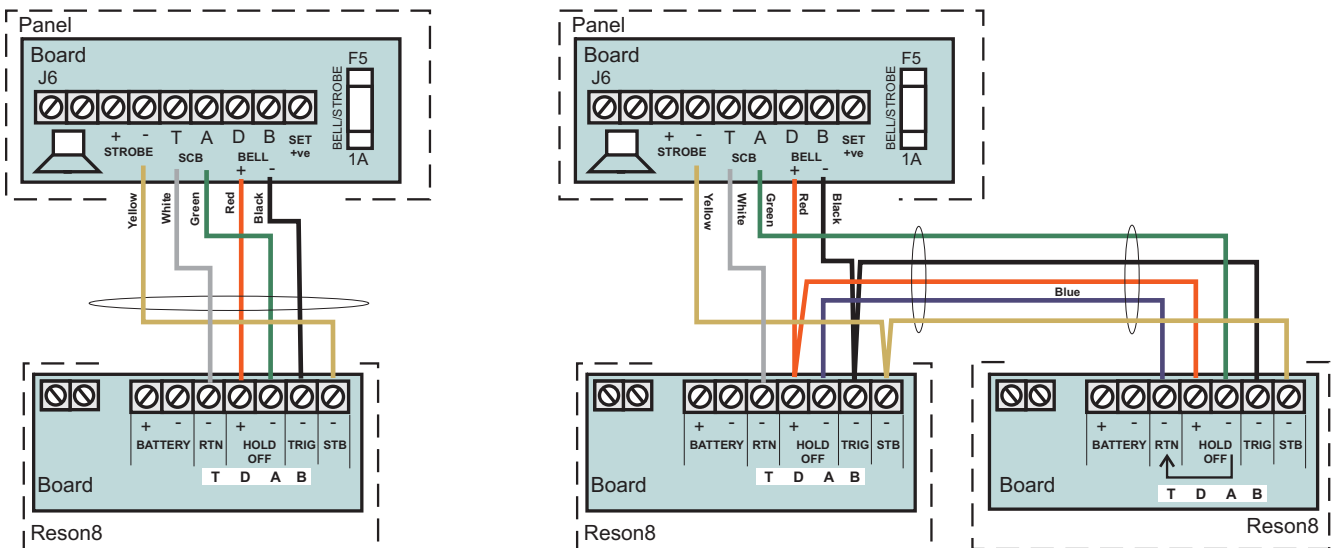
Features

- Self contained sounder & strobe unit
- 6 volt rechargeable Ni-Cad battery
- 115db @ 1m
- High volume piezo driven sounder
- Twin status indicators
- Battery charge indicator
- Adjustable dual fail-safe cut-off timer
- Cover and wall anti-tamper protection
- Polycarbonate housing
- Blue prismatic strobe lens

Technical Data

Operating voltage	10 - 15Vdc
Internal battery	6V Ni-Cd 280mAh rechargeable
Quiescent current	50mA includes battery charge current
Flash rate	80 - 140 per minute
Flash current	120mA at 12V
Sounder Output	115dB at 1m
Sounder current	240mA at 12V
Timer	Test (5 seconds) 5, 10 and 20 minutes
Dimensions	Height 291mm, Width 268mm, Depth 69mm
Weight	Bell box 0.9kg Dummy box 0.68kg
Housing	White Polycarbonate
Lens	Blue Polycarbonate
Part numbers	Reson8 (White & Blue) - 8EP420 Reson8 (White & Blue) Dummy box -8EP425





Wiring

Reson8	ADE Control panel	Other control panel
STB-	STROBE -	- Strobe or -ST
TRIG-	B -	Bell -
HOLD OFF -	A -	Tamper supply -
HOLD OFF +	D +	Bell +
RTN-	T -	Tamper return -
BATTERY -	Connect - from Reson8 battery	
BATTERY +	Connect + from Reson8 battery	

Timer

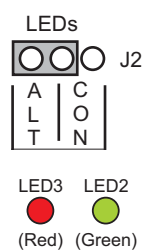
TIMER SETTINGS	
J6	<input checked="" type="radio"/> Test
J5	<input type="radio"/> 20 minutes
J4	<input type="radio"/> 10 minutes
J3	<input type="radio"/> 5 minutes

The Reson8 will operate under normal alarm conditions as directed by the control panel. However, if the Reson8 is triggered into Self Activating Bell mode (SAB), due to power loss or cable damage, then the sounder will operate from the Ni-Cad battery for the set time. The minimum time setting is marked as "TEST" which will limit the bell to 5 seconds of operation.

After testing, please ensure that the timer is correctly set to the desired position. The 20 minutes duration is typical for most installation.

Status Indicators

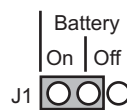
The two LED indicators are used to display the status of the Reson8. The red LED illuminates to indicate the hold off supply is present. The green LED illuminates to show the there is no tamper, that is the tamper circuit is closed and healthy.



The LED status indicators will operate in one of two modes as a means of deterrent.

ALT: Alternating between Red & Green LED's or CON: Red & green LED's are constantly illuminated.

Battery Enable



Reson8 is supplied with a 6 Volt internal Ni-cad battery, as part of the Self Activating Bell (SAB) circuit. When commissioning the system you will need to enable the battery in order to provide battery back up in the event of mains supply failure.

Note on connecting the battery link the sounder will output tamper alarm.

Final Test

When installation is complete the Red (Hold Off Supply) LED indicator should be illuminated. The green indicator will illuminate when the lid is securely fixed into position.

We recommend that the following tests are then carried out:

- Test the operation of the sounder and the timer in self-actuating mode, by removing the hold off supply to the Reson8.
- Test the operation of the front cover tamper.
- Test the operation of the sounder and strobe, by generating an alarm condition at the intruder control panel.

Novar Systems Limited reserves the right to revise this publication from time to time and make changes to the content hereof without obligation to notify any person of such revisions of changes.



	Hamilton Industrial Park, Waterside Road, Leicester LE5 1TN, UK	Website: www.ade.co.uk
	Telephone +44 (0) 116 246 2000	Fax (UK): +44 (0)116 246 2566

Registered office: Novar House: 24 Queens Road, Weybridge, Surrey KT13 9UX