

## 100mm Loovent Fan

Highly reliable, powerful centrifugal fan in a modular design for ease of installation and maintenance.

This range of fans offers a comprehensive choice of control, using a 'plug-in' modular system, whilst ensuring efficient ventilation from the centrifugal fan, which can be used with 100mm ducting.

The original Aidelle Loovent is still a "best seller" with the model 01C continuing the tradition of proven reliability, a wipe clean cover and a fast, direct replacement for earlier models.

### APPLICATION

For toilets, bathrooms and utility rooms where there is no natural, or inadequate ventilation.



Loovent 01C - The latest version of the original Aidelle "Classic" Loovent



### PERFORMANCE DATA

| MODEL | DESCRIPTION   | MOUNTING             | EXTRACT PERFORMANCE  |
|-------|---|----------------------|--|
| 01    | Integral adjustable timer, for light or door switch operation   | Window*/Wall/Ceiling | 31 l/sec, 111m <sup>3</sup> /hr  |
| 02/2S | Dual speed for continuous running and automatic boost operation | Window*/Wall/Ceiling | Continuous 61m <sup>3</sup> /hr, 17 l/sec<br>Boost 111m <sup>3</sup> /hr, 31 l/sec |
| 03    | Manual control by integral pullcord switch                      | Window*/Wall/Ceiling | 31 l/sec, 111 m <sup>3</sup> /hr   |
| 06    | Manual control by integral pullcord switch and automatic timer  | Window*/Wall/Ceiling | 31 l/sec, 111 m <sup>3</sup> /hr   |
| 01C   | Integral adjustable timer for light or door switch operation    | Wall/Ceiling         | 20.5 l/sec, 74 m <sup>3</sup> /hr  |

\*Optional Window Kit available \*\* window hole diameter 140mm nominal

### MAIN FEATURES

- Powerful centrifugal fans for use with ducting
- Can be surface mounted or recessed into wall/ceiling using bezel supplied (01C surface mounted only)
- 01 and 02/2S models carry TÜV approval
- Integral magnetic backdraft flap
- Thermally protected motor
- Complies with Building Regulations (F1-1995)
- 3 Year "no quibble" guarantee
- Fixing pack supplied
- 01C - MORE THAN ONE MILLION SOLD

# AIRFLOW™

SPECIALISTS IN AIR MOVEMENT TECHNOLOGY

Airflow Developments Limited, Lancaster Road, Cressex Business Park, High Wycombe, Buckinghamshire HP12 3QP England  
Telephone: (Int +44) (UK 0) 1494 525252 - Facsimile: (Int +44) (UK 0) 1494 461073 - E-Mail: [info@airflow.co.uk](mailto:info@airflow.co.uk) - Web Site: <http://www.airflow.co.uk>

Airflow Lufttechnik GmbH,  
Postfach 1208, D-53349 Rheinbach, Germany.  
Telefon: 02226/9205-0, Telefax: 02226/9205-11

Airflow Technical Products Inc.,  
P.O. Box 372, 219 Route 206, Andover NJ 07821, USA.  
Telephone: 973-786-6386. Fax: 973-786-7586

Airflow Lufttechnik GmbH,  
o.s. Praha, Hostynská 520, 108 00 Praha 10 - Maleovice,  
Czech republic. Telefon a fax 02-77 22 30

Airflow Developments Limited reserve the right, in the interests of continuous development, to alter specifications without prior notice. All orders are accepted subject to our conditions of sale which are available on request.



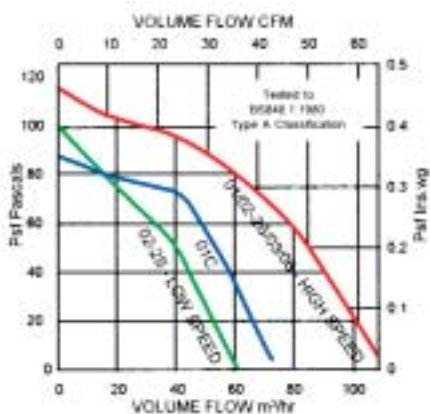
CERTIFICATE 152  
BS5750 ISO9001 EN29001

## TECHNICAL SPECIFICATION

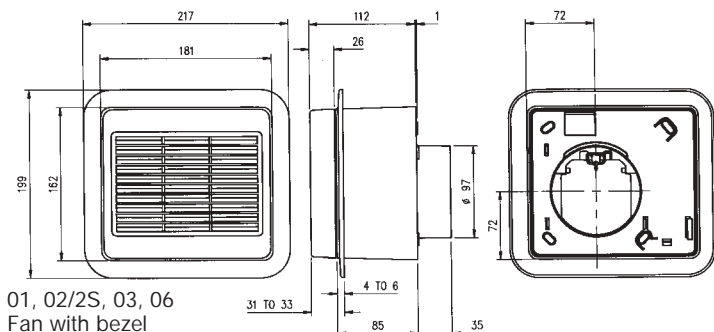
|                                |   |
|--------------------------------|---|
|                                | 01, 01C, 02/2S, 03, 06  |
| <b>GENERAL</b>                 | Powerful centrifugal fan moulded in high impact ABS, case to IP44 |
| <b>WEIGHT</b>                  | 1.5 kg  |
| <b>ELECTRICAL DATA</b>         | 220-240 Volt 1PH, 50Hz, Consumption 30 Watts                      |
| <b>SOUND LEVELS</b>            | 58 dB[A] Max at high speed, 41 dB[A] at low speed                 |
| <b>STANDARDS</b>               | ISO5801 1997 BS EN 60335:2:80                                     |
| <b>SITING/FITTING/ DUCTING</b> | Full details supplied with fan                                    |

## PERFORMANCE

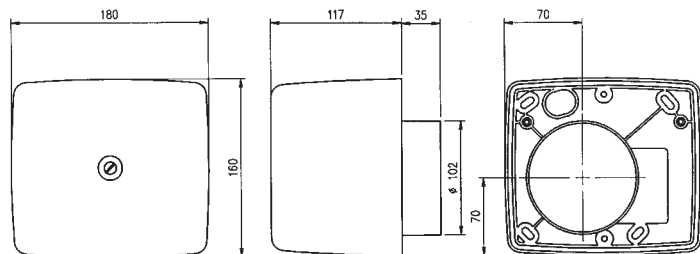
AIR PERFORMANCE TESTED TO ISO5801 1997. TYPE A



## DIMENSIONAL DATA:



01, 02/2S, 03, 06  
Fan with bezel



01C

## CONTROLS



Door Switch



Remote Humidistat

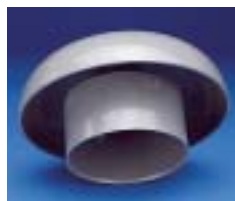


Passive  
Infra-red

## ACCESSORIES



Grilles



Roof Cowl



Airflex  
Ducting



Airflat  
Ducting

# AIRFLOW™

SPECIALISTS IN AIR MOVEMENT TECHNOLOGY

Airflow Developments Limited, Lancaster Road, Cressex Business Park, High Wycombe, Buckinghamshire HP12 3QP England  
Telephone: (Int +44) (UK 0) 1494 525252 - Facsimile: (Int +44) (UK 0) 1494 461073 - E-Mail: info@airflow.co.uk - Web Site: http://www.airflow.co.uk

Airflow Lufttechnik GmbH,  
Postfach 1208, D-53349 Rheinbach, Germany.  
Telefon: 02226/9205-0, Telefax: 02226/9205-11

Airflow Technical Products Inc.,  
P.O. Box 372, 219 Route 206, Andover NJ 07821, USA.  
Telephone: 973-786-6386, Fax: 973-786-7586

Airflow Lufttechnik GmbH,  
o.s. Praha, Hostynská 520, 108 00 Praha 10 - Maleovice,  
Czech republic. Telefon a fax 02-77 22 30

Airflow Developments Limited reserve the right, in the interests of continuous development, to alter specifications without prior notice. All orders are accepted subject to our conditions of sale which are available on request.



CERTIFICATE 152  
BS5750 ISO9001 EN29001