

Aura Shower Kit



100mm In-line axial fan with timer

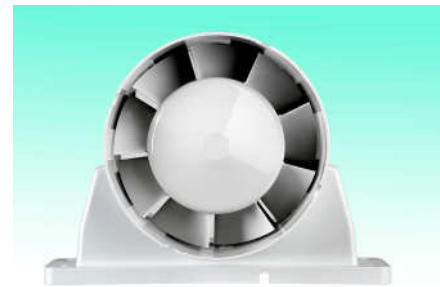
Highly reliable and powerful fan in a modular design for ease of installation & maintenance. **Aura In-line Shower Kit** is designed to provide extraction levels that comply with the latest **Building Regulations ADF**

The fan is manually operated by basic switching (not supplied) with adjustable timer overrun and fits in-line with flexible ducting for a quiet and discreet installation

A healthy indoor environment is an important contributing factor to the wellbeing of both a building and its occupants. Ventilation with fresh air is the most effective means of avoiding problems such as condensation, mould and allergies.

The Aura range of fans are slim, compact, attractively styled, easy to wipe clean and ducted over short lengths. They are the ideal solution for removing damp moist air, odours and airborne pollutants from toilets and bathrooms.

Aura In-line AUSHWTKT



Features

- Designed for ventilation of small and medium size rooms
- Use for both air supply and air extraction
- Powerful ventilation up to 108m³/hr
- Compact and quiet in operation
- Optional fastening bracket
- 230 volt/1ph/50 Hz
- CE, IPX4 rating and double insulated
- Complies with Building Regulations
- Ductable up to 3m
- Adjustable timer
- 3 year warranty

An excellent ventilation fan for quiet, remote mounting...

Application

For remote extraction from toilets, en-suites and bathrooms.

Model: AUSHWTKT

Part No: 9041419



For more information please visit airflow.com or email us at info@airflow.co.uk or call **01494 560800**

AIRFLOW™

Aura In-line AUSHWTKT

Why Ventilate?

AIRFLOW fans exceed the requirements of the latest building regulations helping to combat the harmful effects of dampness and condensation and by extracting airborne pollutants such as odours, cooking smells, humid and stale air. The potential hazards to health for occupants and possible damage to the fabric of the building can be largely eliminated.



WHAT THE REGULATIONS SAY.

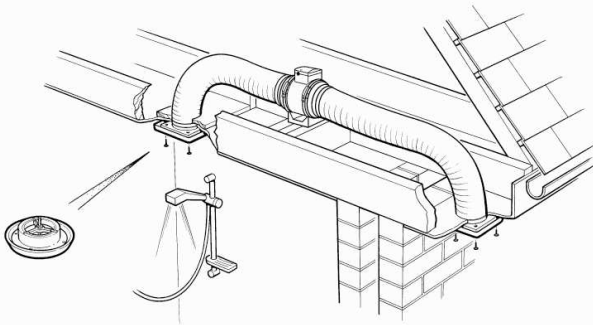
The latest edition of the Building Regulations, Approved Document (F1) Means of Ventilation, effective 1st April 2006, stipulates the provision of adequate mechanical ventilation rates in non-habitable rooms, such as Toilets, Bathrooms/Shower rooms, Kitchens and Utility rooms in domestic dwellings.

ROOMS CONTAINING OPENING WINDOWS

EXTRACT VENTILATION RATES

Toilet /Sanitary accommodation – 6 l/sec (22m3/hr)
Bathroom/Shower Room – 15 l/sec (54 m3/hr)
Kitchen with cooker hood – 30 l/sec (108 m3/hr)
Kitchen without cooker hood – 60 l/sec (216 m3/hr)
Utility Room – 30 l/sec (108 m3/hr)

Note: Above is basic guidance. Please refer to ADF for full Regulations



Optional Fan Kits

Model AUSHWKT – Aura in-line B, 3m flexible ducting, interior/exterior grilles

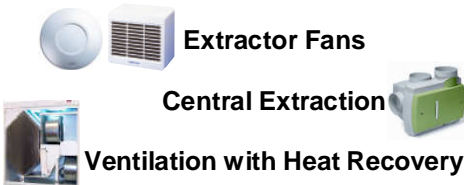
Model AUSHWLTKT – Aura in-line B, 3m flexible ducting, ties external grille, ties and internal grille with 12v dc halogen lamp

Model AUSHWTKT – Aura in-line T, 3m flexible ducting, interior/exterior grilles and ties

Model AUSHWTLTKT – Aura in-line T, 3m flexible ducting, external grille ties and internal grille with 12v dc halogen lamp

| Model | Extract Performance | | Watts | db(A) @ 3m | Amps | Supply Voltage | Dimensions h x w x d (mm) | Material finish | Weight (KG) |
|---------------|---------------------|-------|-------|---------------|------|----------------------|-------------------------------------|-----------------|-------------|
| | m3/hr | l/sec | | | | | | | |
| AUJNL 100T | 108 | 30 | 16 | 39 | 0.1 | 230V / 1PH / 50Hz | 110 x 160 x 113 100mm dia spigot | ABS | 0.41 |

AIRFLOW VENTILATION SOLUTIONS



Extractor Fans

Central Extraction

Ventilation with Heat Recovery

Accessories Included in Pack

- 3m flexible ducting
- Chrome and White Halogen lamp & grilles
- Four duct cable ties
- White external grille

For more information please visit airflow.com or email us at info@airflow.co.uk or call **01494 560800**

