

Loovent eco

A fan for every room



Key features

- **Powerful 2 Speed Centrifugal fan**
- up to 31 l/sec
- **Compact Design** - smallest footprint in its class
- **Ideal for New Build & Refurbishments** in toilets, bathrooms, en-suites, utilities and kitchens (adjacent to hob)
- **Surface or recessed, portrait or landscape**
- **Simple replacement of existing Loovent** - same mounting and spigot position
- **Economical to operate** – from 2.8 watts
- **Timer, Humidity Timer and Motion Sensor**
Timer versions
- **SELV versions** - low voltage
- **SAP Appendix Q approved dMEV versions**
- **5 year warranty**

The next generation...

From an excellent pedigree of fans for over 30 years comes the next generation of fan – LOOVENT eco. A powerful, discreetly styled fan in a modular design for ease of installation and maintenance to ensure effective ventilation with minimal noise level and energy efficiency in mind.

It is exceptionally quiet with various “on-demand” control options that only activates the fan when needed - timer, humidity timer and motion sensor with timer. The low energy motor helps reduce carbon emissions and saves on energy bills.

The dMEV continuous ventilation versions are the ideal solution for maintaining the perfect air quality in the domestic home. The LOOVENT eco dMEV version with timer functionality is SAP Appendix Q eligible, making it perfect for the new build market



Models

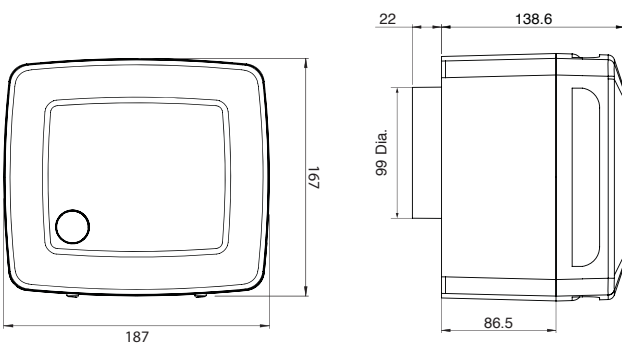
Timer/SELV T	Timer can be set to run on between 2 and 45 minutes
Humidity Timer/SELV HT	Humidity sensor can be set between 40 - 90% RH
Motion Sensor Timer	PIR sensor activates fan to switch on, timer overrun
dMEV - T/HT	Continuous ventilation, pull cord boost



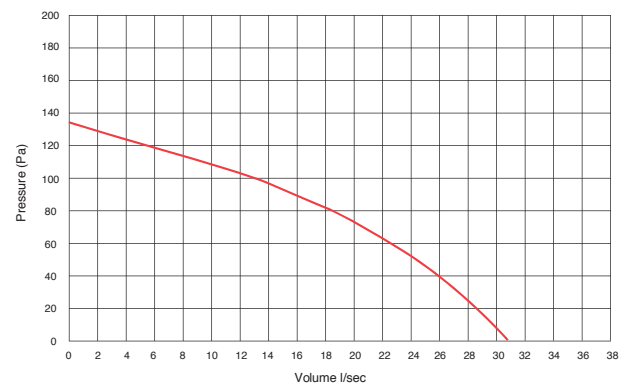
Technical data

Specification	LOOVENT eco T	LOOVENT eco HT	LOOVENT eco MST	LOOVENT eco dMEV		
Air flow m ³ /hr (trickle/boost)	62/110	62/110	62/110	25/55	33/55	59/110
Airflow l/sec (trickle/boost)	17/31	17/31	17/31	7/15	9/15	16/31
Fan type	Centrifugal	Centrifugal	Centrifugal	Centrifugal		
Controls	Timer	Humidity Timer	Motion Sensor Timer	Timer/ Humidity Timer		
Sound Pressure dB(A)@3m	29/47	29/47	29/47	25.2/ 46	25.2/ 46	28/46
Power Watts	3.6 / 12	3.6 / 12	3.6 / 12	2.8 / 8.9	3.0 / 8.9	2.8 / 12
Amps	3	3	3	3		
Specific Fan Power	0.21/0.40	0.21/0.40	0.21/0.40	0.40/0.59	0.32/0.59	0.17/0.40
2010 Building Regulations ADF	Yes	Yes	Yes	Yes		
Duct Diameter (mm)	100	100	100	100		
Voltage	100/240V-50/60Hz	100/240V-50/60Hz	100/240V-50/60Hz	100/240V-50/60Hz		
Rating	IPx5	IPx5	IPx5	IPx5		
Weight (Kg)	1,0	1,0	1,0	1,0		
Dimensions (H x W x D)mm	167 x 187 x 138	167 x 187 x 138	167 x 187 x 138	167 x 187 x 138		
Product Codes	72684305	72684306	72684307	72684308 (Timer)		
	72684309 (SELV)	72684310 (SELV)	N/A	72684311 (Humidity Timer)		

Dimensions



Performance



Controls and accessories

A range of accessories including flexible and rigid ducting kits, controls and grilles are available.

Call: 01494 560 800

Visit: airflow.com

AIRFLOW™

airflow.com