



Warranty:

Applicable to units installed and used in the United Kingdom. Airflow's Warranty covers the QuietAir fan for TWO years. The Warranty can be upgraded to THREE years from date of purchase against faulty material or workmanship by registering on our web site at www.airflow.com. The Warranty covers the product only and not the installation cost.

In the event of any defective parts being found, Airflow Developments Ltd reserve the right to repair or at our discretion replace without charge provided that the unit

1. Has been installed and used in accordance with the fitting and wiring instructions supplied with each unit
2. Has not been connected to an unsuitable electrical supply
3. Has not been subjected to issue, neglect or damage.
4. Has not been modified or repaired by any person not authorised by Airflow Developments Ltd.
5. Has been installed in accordance with latest Building Regulations and IEE wiring regulations.

Airflow Developments shall not be liable for any loss, injury or other consequential damage, in the event of a failure of the equipment or arising from, or in connection with, the equipment excepting only that nothing in this condition shall be construed as to exclude or restrict liability for negligence.

This warranty does not in any way affect any statutory or other consumer rights.



SPECIALISTS IN AIR MOVEMENT TECHNOLOGY

Airflow Developments Limited
Lancaster Road, Cressex Business Park
High Wycombe, Buckinghamshire
HP12 3QP, United Kingdom

E-mail: info@airflow.co.uk

Telephone: +44 (0) 1494 525252

Facsimile: +44 (0) 1494 461073

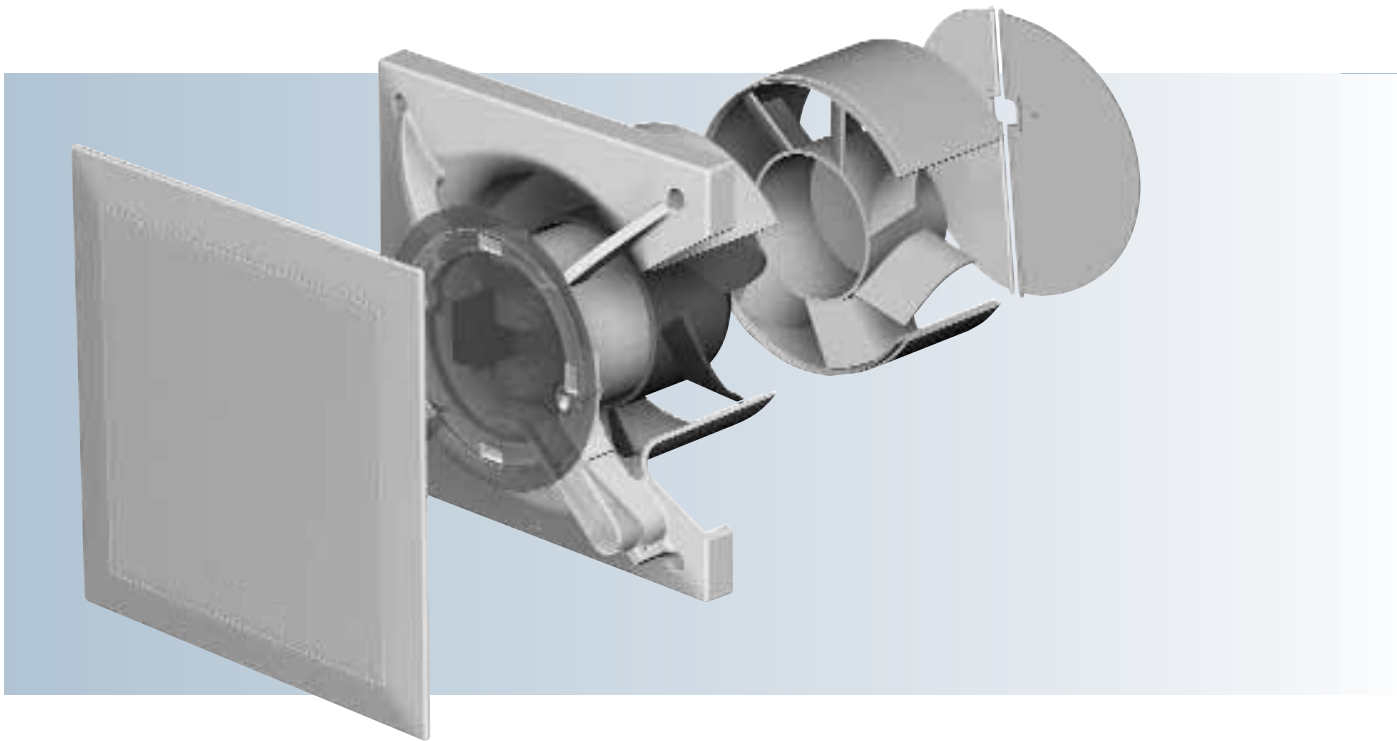
airflow.com





SPECIALISTS IN AIR MOVEMENT TECHNOLOGY

Installation and Operating Instructions QuietAir 100mm Axial Fan



MODEL:QT 100T - Two Speed Fan (75/90m³/hr) with
Delay Start and Adjustable Timer



- Low Energy
- Whisper Quiet
- Long Life
- Extra Safe
- Delay Start
- Auto Refresh Intervals

IP45    



Contents

CHAPTER 1. GENERAL INFORMATION	Page 1
1.0 Important information	Page 1
1.1 Warning and safety instructions	Page 1
1.2 Warranty – Exclusion of liability	Page 1
1.3 Certificates	Page 1
1.4 Receipt	Page 1
1.5 Storage	Page 1
1.6 Application/Operation	Page 1
1.7 Performance	Page 1
1.8 General information	Page 1
1.9 Safety	Page 1
1.10 Electrical connection	Page 2
1.11 Overview of type	Page 2
1.12 Accessories	Page 2
CHAPTER 2. SCOPE OF DELIVERY AND ASSEMBLY	Page 2
2.0 Scope of delivery / packing unit	Page 2
CHAPTER 3. INSTALLATION	Page 2
3.0 Preparation for wall or ceiling installation (surface mounted)	Page 2
3.1 Cable exit from the wall	Page 2
3.2 Drill holes	Page 2
3.3 Wall or ceiling installation	Page 3
3.4 Cable connection	Page 3
CHAPTER 4. ELECTRICAL CONNECTION	Page 4
4.0 Electrical connection	Page 4
4.1 Electronic control board	Page 4
CHAPTER 5. CLEANING AND MAINTENANCE	Page 4
5.0 Cleaning and maintenance	Page 4
5.1 Dismantling of the fascia	Page 4
CHAPTER 6. FAULT DIAGNOSTICS	Page 4
6.0 Troubleshooting	Page 4
Wiring diagram overview for M 1/100 NC fans	Page 5



Correct Disposal of This Product (Waste Electrical & Electronic Equipment)

(Applicable in the European Union and other European countries with separate collection systems)

This marking shown on the product or its Operation and Installation Instruction, indicates that it should not be disposed with other household wastes at the end of its working life. To prevent possible harm to the environment or human health from uncontrolled waste disposal, please separate this from other types of wastes and recycle it responsibly to promote the sustainable reuse of material resources.

Household users should contact either the retailer where they purchased this product, or their local government office, for details of where and how they can take this item for environmentally safe recycling.

Business users should contact their supplier and check the terms and conditions of the purchase contract.

This product should not be mixed with other commercial wastes for disposal.

CHAPTER 1**INSTALLATION AND OPERATING INSTRUCTIONS****WARNING****1.0 Important information**

To ensure safety and correct operation please read and observe the following instructions carefully before proceeding. The electrical connection must be fully isolated from the supply up to the final assembly ! Keep the installation and operating instructions as a reference at the device. After the final assembly the document must be handed out to the operator (tenant/owner).

1.1 Warning and safety instructions

Accompanying symbol is a safety-relevant prominent warning label. All safety regulations and/or symbols must be absolutely adhered to, so that any danger situation is avoided.

1.2 Warranty – Exclusion of liability

If the preceding instructions are not observed all warranty claims and accommodation treatment are excluded. This also applies to any liability claims extended to the manufacturer. The use of accessories not offered or recommended is not permitted. Potential damages are not liable for warranty.

1.3 Certificates

If the product is installed correctly and used to its intended purpose, it conforms to all applicable European Standards at its date of manufacture.

1.4 Receipt

Please check delivery immediately on receipt for accuracy and damage. If damaged, please notify carrier immediately. In case of delayed notification, any possible claim may be void.

1.5 Storage

When storing for a prolonged time the following steps are to be taken to avoid damaging influences: Protection of motor by dry, air- dustproof packing (plastic bags with drying agent and moisture indicators). The storage place must be water proof, vibration-free and free of temperature variations.

When storing for several years or non rotation of motor an inspection of the bearings with possible relubrication and an electrical inspection to VDE 0701 and VDE 0530 are absolutely necessary before starting operation. When transshipping (especially over longer distances) check if the packing is adequate for method and manner of transportation. Damages due to improper transportation, storage or putting into operation are not liable for warranty.

1.6 Application/Operation

The fan is designed for air extraction of living spaces. If the unit is to be used in other applications where high humidity, excessive dust, temperature in excess of 40 °C or long periods at standstill (not running), please contact your local dealer for advice. This also applies for special technical and electrical applications. The complete fan corresponds to protection IP 45 (jet water-protected) , protection class II and is suitable for use in zone 1 of bathrooms.

NOTE

The fan may only be used for its intended purpose !

1.7 Performance

The unit must be installed correctly to achieve the optimum performance. This applies to the installation of the unit, the ducting and the replacement air supply.

If installing in a room where the fan can affect a fuel burning device (e.g. a gas boiler) which has a balanced flue, it is the installer's responsibility to ensure that there is sufficient replacement air to prevent fumes being drawn down the flue when the fan is operating at maximum extract rate.

The catalogue noise levels stated are A-rated sound power levels LWA (to DIN 45635 T.1). The A-rated sound pressure level LPA depends on the acoustic condition in the room in which it is installed. These affect considerably the adjusting noise.

1.8 General information

Intake air duct: Every room which must be ventilated must have an intake air opening to prevent negative pressure conditions.

NOTE**1.9 Safety**

- All servicing and installations may only be carried out by a certified electrician.
- The fans may be operated only with the rated voltage indicated on the type plate.
- Technical data on type plate are to be adhered to without fail.
- The degree of protection given on the type plate is only valid with designed installation in accordance with these installation and operating instructions and with closed fascia.

WARNING

1.10 Electrical connection

All work must be carried out with the equipment fully isolated from the power supply. The electrical connection are to be carried out in accordance with the relevant wiring diagram and are only to be done by a certified electrician. The electrical connection must be fully isolated from the supply up to the final assembly !

All relevant safety regulation, national standards and norms are to be adhered to. An appliance is required for cut off from the supply with a minimum of 3 mm contact opening of each pole.

The rated voltage and frequency must correspond with the data on the type plate. The insertion of mains supply cable is carried out via a cable grommet which is included in the delivery. Never lead cable over sharp edges. The equipment corresponds to protection IPX5 (jet water-protected).

In addition, they correspond to the safety class II.

1.11 Overview of type.

QuietAir 100T with timer overrun and interval operation

1.12 Accessories (optional)

Wall switch 0-1-2

Cavity wall kit 100mm diameter. Rigid duct with exterior wall grille (white)

Flexible duct kit 100mm diameter x3m long, with exterior wall grille (white)

Ref.no. 71523101

Ref.no. 72643202

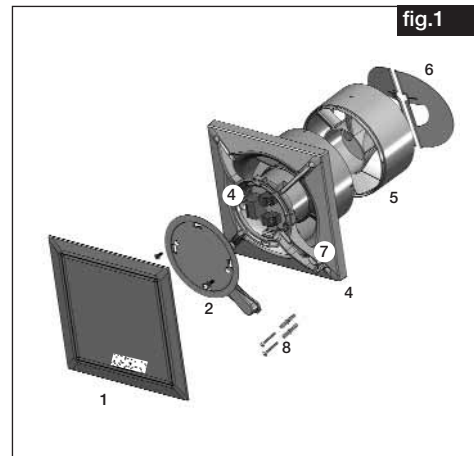
Ref.no. 72643602

CHAPTER 2

SCOPE OF DELIVERY AND ASSEMBLY

2.0 Scope of delivery / packing unit

Leave the fan in its box until installation. Check that the fan is in good condition and has not been damaged in transit.



1. Fascia
 2. Cover of control board including 2 x fastening screws
 3. Electronic control board
 4. Casing with impeller
 5. Guide vane removable at reduced installation depth
 6. Removable back draught shutter
 7. Assembly kit
 8. Cable grommet
- 2 x screws with plugs for wall mounting

CHAPTER 3

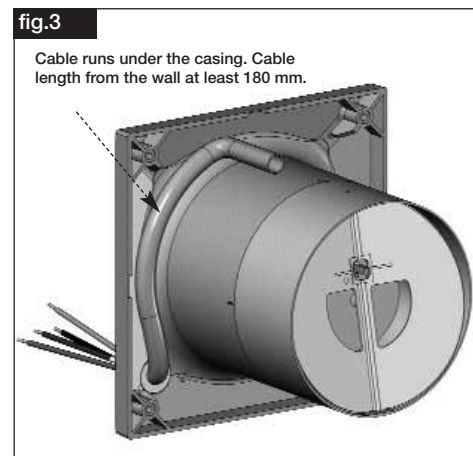
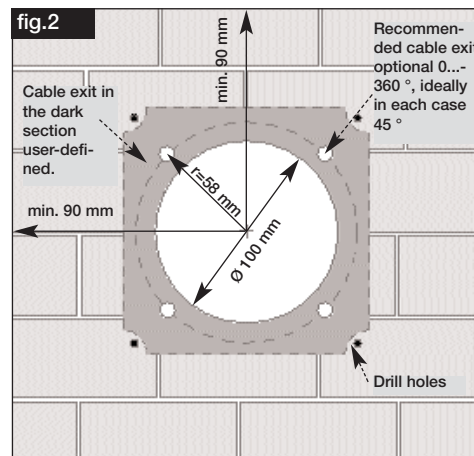
MOUNTING

NOTE

3.0 Preparation for wall or ceiling installation (surface mounted)

The assembly and start-up of the fan unit should be carried out first after finishing all other work and after the final cleaning in order to avoid damage and contamination of the fan unit.

The position of the cable exit is variable (see fig.2/3).



3.1 Cable exit from the wall

- Distance to the duct centre depending on cable exit 58 mm with a variable position under the casing.
- For a simple assembly an exit is recommended as shown (turnable by 90° in each case). The optimal position is 45° each if the cable exit is directly at the position of the cable grommet.
- Duct inside diameter 100 mm and distance to room corners: at least 90 mm

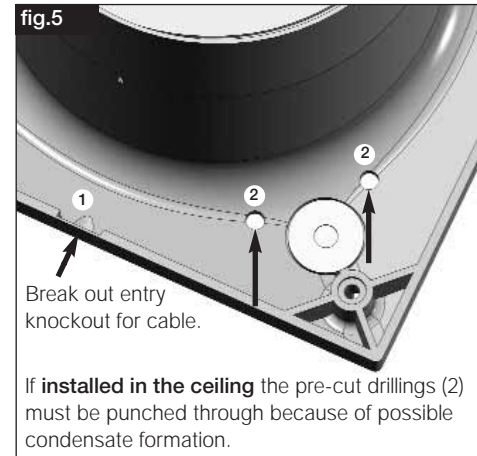
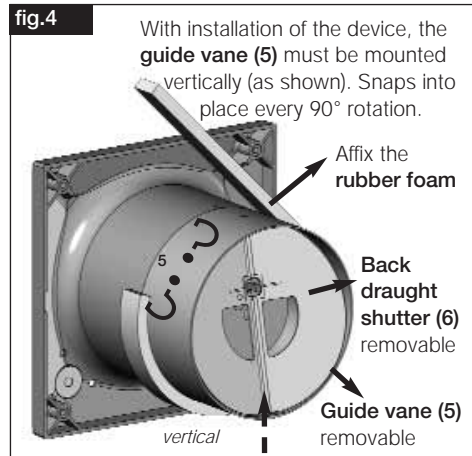
3.2 Drill holes

- Set casing against the wall, mark the holes and drill. Fasten with at least 2 screws and plugs. For surface installation the casing is provided with a side entry knockout (Fig.5, Pos.1) for the cable ! The mains supply cable is to be kept in such a way that no ingress of moisture is made possible along the cable.

NOTE

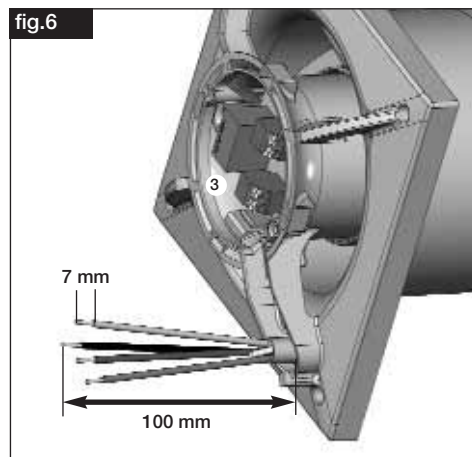
Installation and Operation Instructions

3.3 Wall or ceiling installation

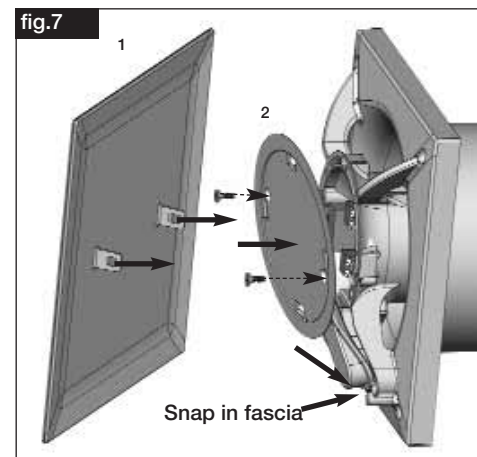


3.4 Cable connections

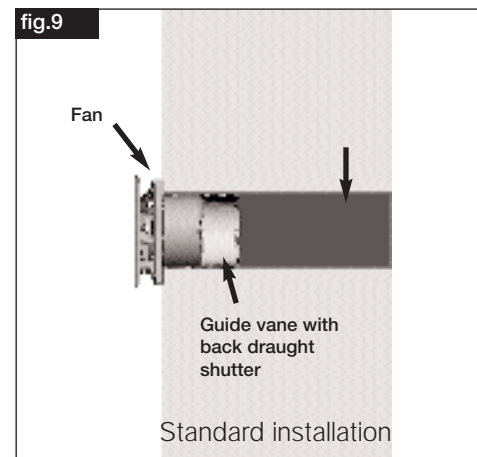
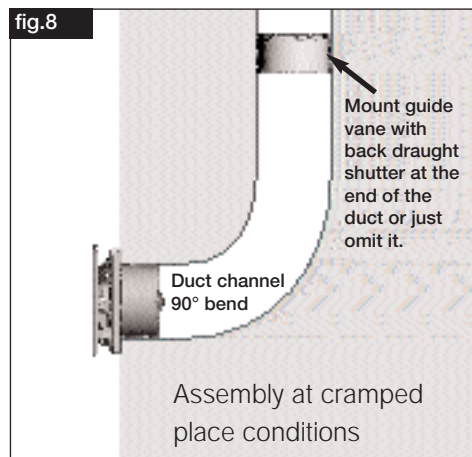
1. Pull cable through grommet, don't cut open!
2. Cut cable at least to length 180 mm and remove cable jacket at least 100 mm in length.
3. Connect fan according to wiring diagram (see page 5).
4. Run cable in the conduit.



- Length of single conductor 100 mm
- Length of stripped insulation 7 mm
- Strip plastic-sheathed cable flush with conduit.



1. Press cover of control board (2) on casing and fasten with screws.
2. Snap in fascia. (1)



CHAPTER 4**ELECTRICAL
CONNECTION****WARNING****4.0 Electrical connection**

All work must be carried out with the equipment fully isolated from the power supply. The electrical connection is to be carried out in accordance with the relevant wiring diagram and are only to be done by a certified electrician. The fan may not be operated with transformer controllers.

All relevant safety regulation, national standards and norms are to be adhered to.

4.1 Electronic control board

The electronic control board allows the operation with 2 speeds (75/90 m³hr). The control board is fitted into a splash-proof casing.

NOTE**EMV regulation****Important indication for the electromagnetic compatibility**

Interference resistance according to DIN EN 55014-2 depending upon impulse form and energy rate of 1000 V to 4000 V. With operation with fluorescent tubes, switch power supplies, electronically regulated halogen bulbs etc. these values can be exceeded.

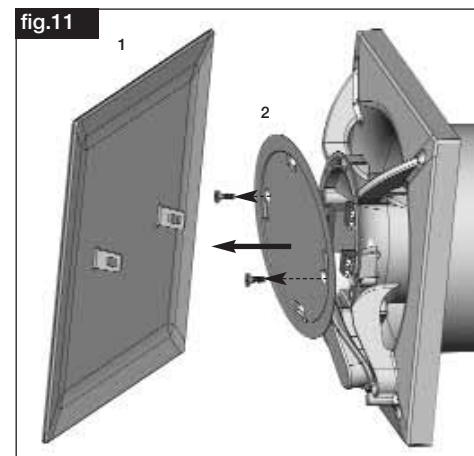
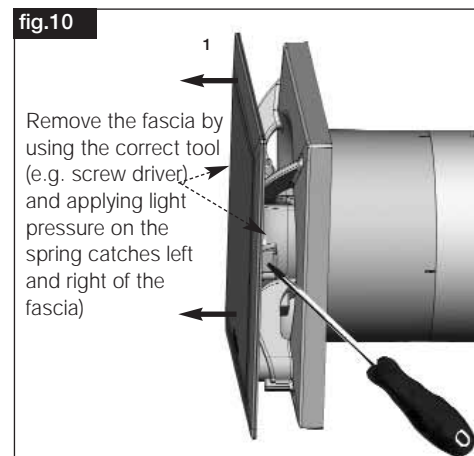
In this case additional suppression shielding activities are necessary (L -, C or RC elements, protection diodes, resistors).

CHAPTER 5**CLEANING AND
MAINTENANCE****5.0 Cleaning and maintenance**

- Before cleaning, ensure that the fan is isolated from the power supply.
- Prevent unintentional restart !
- Clean device only with a damp cloth.
- The device is maintenance-free.

5.1 Dismantling of fascia**Procedure:**

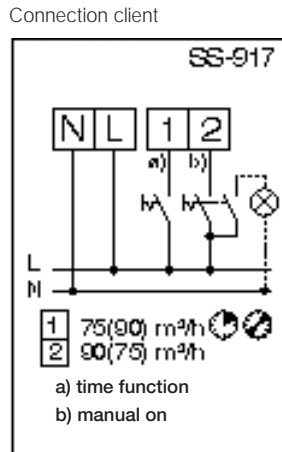
1. Isolate the device from the power supply and prevent unintentional restart!
2. Remove the fascia (1) by using the correct tool (e.g. screw driver) and applying light pressure on the spring catches left and right of the fascia (Fig.10).
3. Unfasten the screws of the control board cover (2) (Fig.11).

**CHAPTER 6****TROUBLESHOOTING****6.0 Troubleshooting**

- If the thermal protection trips this could be the result of dirt build-up, a hard running impeller and/or bearings. Too high winding temperature through insufficient motor cooling, or too high air flow temperature could be the cause of disturbance.
- Abnormal noises can mean worn out bearings.
- Vibrations can originate from an unbalanced or dirty impeller or due to the installation.
- Extreme performance reduction can occur if the fan must work against too high resistance of the ventilation system or if there is a lack of sufficient supply air (causing also higher sound level).

Installation and Operation Instructions

Wiring diagram overview



WARNING

Electrical connection:

- **Terminal N / L:**
The supply voltage of 230 V is connected permanently to terminal N/L
- **Terminal 1:**
The time functions are activated via terminal 1.

The following functions are implemented:

1. Start delay (without or 2 minutes.)
After switching on terminal 1, the fan starts first after the adjusted delayed time. Thus a room can be entered for a short time (via two-pole switch) e.g. during combined on/off switching with the light without the fan being started for operation. Factory setting approx. 2 minutes.
DIP-switch S1-1 wiring diagram SS-920: No.1: off = deactivated, on = 2 minutes.

2. Operation with push-button switch
During start delay the fan can be switched on via terminal 1 with a push-button switch at deactivated start delay (sampling pulse min. 0,5 sec.).

3. Run on time (6 min., 12 min., 15 min., 21 min.)
After switching off terminal 1, the fan keeps running and switches off after the adjusted time automatically. Factory setting approx. 15 min.
DIP-switch S1-2+3 (see wiring diagram SS-920)

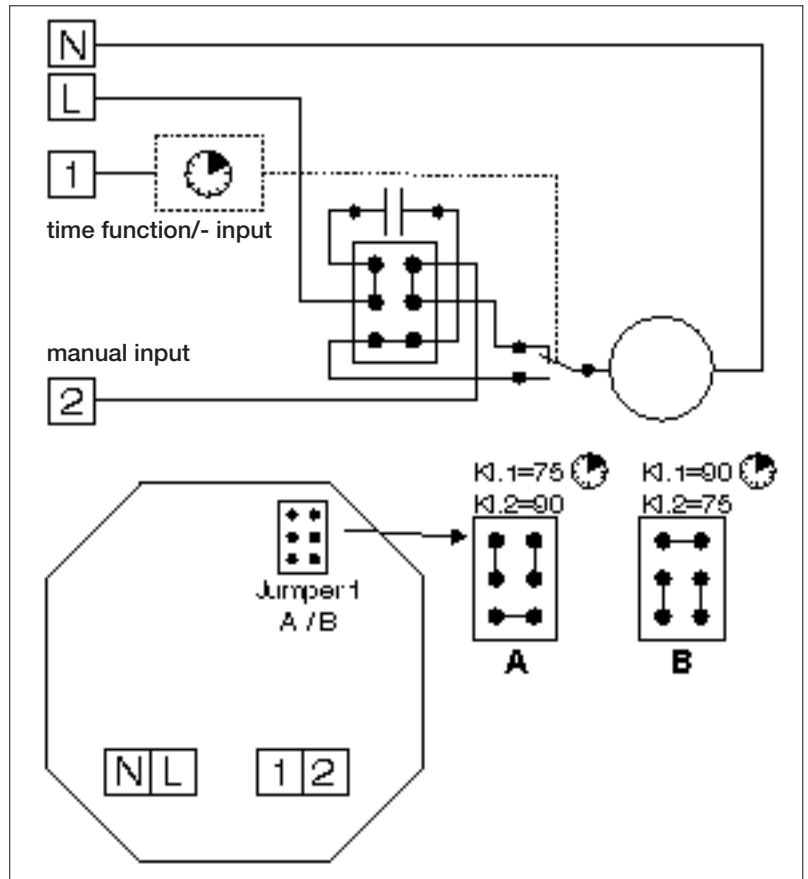
4. Interval operation - Auto Refresh
Interval operation (4hrs., 8 hrs., 12 hrs., 24 hrs.)
The fan can be put in adjustable time intervals into operation automatically. After the adjusted run on time the fan switches off automatically. The interval time starts after the last switch off process on terminal 1 (time input), also with manual operation in the meantime (terminal 2). The manual operation does not have influence on the interval operation. The turn-on time in the interval operation corresponds to the adjusted run on time. Factory setting approx. 4 hrs.
DIP-switch S1-4+5 (see wiring diagram SS-920)
The interval operation can be deactivated with DIP switch S1-6, set to "on".

5. Changing the factory setting
DIP-switch (see wiring diagram SS-920). Isolate the unit from the mains electric supply!
- Terminal 2:
The continuous operation is activated via terminal 2 (see wiring diagram SS-917). With activated time function, the manual stage (terminal 2) is inactive.

Room lighting
In connection with the room lighting (terminal 1 or 2), a two-pole switch must be used.

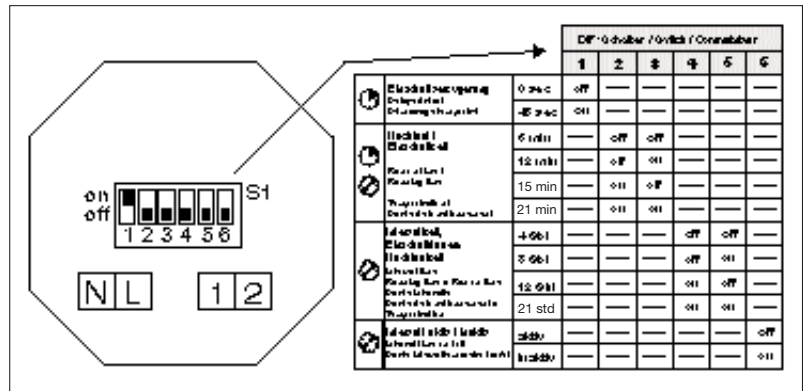
Internal functional principle / Jumper position

SS-931



Adjustment of DIP-switchs

SS-920



Important: Wiring in parallel
Wiring in parallel of several fans is not permitted.
- Jumper
Depending on the jumper setting, the fan runs with 75 or 90 m³/h.

Jumper 1 (see wiring diagram SS-931)

- Position A – Factory setting**
K1.1 = 75 m³/h, activation via time function
K1.2 = 90 m³/h, manual on
- Position B**
K1.1 = 90 m³/h, activation via time function
K1.2 = 75 m³/h, manual on

Operation test – Test mode:

When applying the supply voltage the fan is in the test mode for 1 minute. (Requirement: Factory setting of DIP-switch, see wiring diagram SS-920)
In this case the delayed start and the overrun function is deactivated within the first minute, or for a switching cycle.