

QuietAir QT100

Toilet, bathroom and en-suite ventilation



Black Edition



KEY FEATURES

- Axial fan
- Two speed ventilation up to 25 l/s (90m³/h)
- Awarded Quiet Mark by Noise Abatement Society
- Extremely quiet, noise levels as low as 25 dB(A)
- Power consumption from only 5 W
- Interval timer for routine auto extraction
- Very low SFP of 0.24 W/l/s
- Long-life ball bearings with approx. 40,000 hr life
- Integral flow straightener / backdraught flap
- Powerful extraction for longer ducts
- Suitable for installation anywhere in Zone 1 of bathrooms when installed with an RCD
- IP45 rating
- Complies with Building Regulations when installed correctly
- 3 year warranty

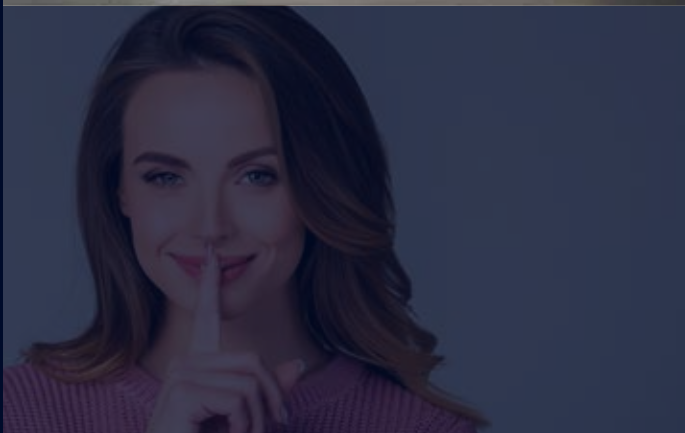
Designed and engineered in Germany, the QuietAir range features a high-efficiency, low-energy, and ultra-quiet performance. With a variety of controls and features, it offers the perfect solution for bathrooms, en-suites and toilets. The Black Edition has been designed to blend seamlessly with the aesthetics of your bathroom.

QuietAir is a range of elegant, discreet axial fans that are extremely quiet with various control options that activate the fan only when needed – remote switching, timer, humidity timer and motion sensor with timer. By using exceptionally low energy this helps to reduce carbon emissions and also save on your energy bills.

Room refresh (interval timer) enables automatic extraction at pre-set times if required.

MODELS

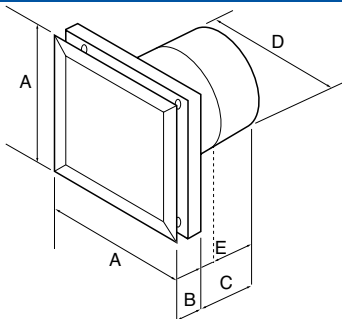
Basic	Control by remote switch
Timer	Adjustable timer overrun of 6,10,15 or 21 minutes
Humidity Timer	Adjustable Humidity 60 to 90% RH with adjustable timer
Motion Sensor Timer	Motion sensor activation



TECHNICAL DATA

Specification	QuietAir QT100 Black Edition B	QuietAir QT100 Black Edition T	QuietAir QT100 Black Edition HT	QuietAir QT100 Black Edition MST
Air flow m ³ /h	75 / 90			
Air flow l/s	21 / 25			
Fan type	Axial			
Controls	Basic	Timer	Humidity Timer	Motion Sensor Timer
Mounting	Wall / Ceiling	Wall / Ceiling	Wall / Ceiling	Wall / Ceiling
Sound Pressure dB(A)@3m	25 / 30			
Delay start (min)	No	2	2	No
Adjustable timer (min)	No	6,10,15,21	6,10,15,21	No
Adjustable humidity (%RH)	60 - 90			
Interval timer, auto start (hrs)	0,8,12,24			
Power Watts	5 / 9			
Amps	0.04 / 0.06			
Specific Fan Power (SFP)	0.24			
Building Regulations ADF	Yes			
Duct diameter (mm)	100			
Voltage	230 V / 1 ph / 50 Hz			
Rating	IP45			
Max ambient temperature	40°C			
Weight (kg)	0.8			
Dimensions (H x W x D) mm	147 x 147 x 131			
Part No.	90002185	90002186	90002187	90002188
EAN Barcode	5019009337128	5019009337135	5019009337142	5019009337234

DIMENSIONS



Model	A	B	C	D	E
QuietAir QT100 Black Edition	147	35	96	98	52

CONTROLS & ACCESSORIES



Others products available from airflow.com

Call: 01494 525252

Visit: airflow.com



Airflow Developments Limited
Aidelle House, Lancaster Road,
Cressex Business Park,
High Wycombe, Buckinghamshire,
United Kingdom, HP12 3QP

E-mail: info@airflow.com
Telephone: +44 (0) 1494 525252

airflow.com

© Airflow Developments Limited. Airflow Developments Limited reserve the right, in the interests of continuous development, to alter specifications without prior notice. All orders are accepted subject to our conditions of sale which are available on request



80001644 - Issue 1 07/24