

iCON 60

Stylish utility room and kitchen ventilation



KEY FEATURES

- Flow rate up to 78 l/s (280 m³/h)
- Stylish, slim and unobtrusive in walls or ceilings
- Reddot Design Award winning silent iris shutter prevents backdraughts
- Easy to install snap-in control modules available to control functionality
- A range of coloured covers available to suit your décor
- IPX4 rating
- 3 year warranty



iCON 60 is the largest, most powerful fan in the range. It is suitable for recessed or surface mounting in walls or ceilings and is highly efficient in domestic kitchens.

iCON 60 is designed to provide ventilation levels that comply with the latest Building Regulations.

The iCON fan is an efficient, stylish and unique ventilation solution for the modern home. The shutter design makes switching on and off almost silent and helps reduce external noise ingress. The slim profile and iris shutter of the iCON make it a fan which will blend discreetly into any setting.



MODULES

72573602	PCM	Pull cord
72612601	TM	Timer
72675702	DTM	Delayed timer with pull cord
72687103	HTM	Humidity timer with pull cord
72687104	PRTM	Motion sensor timer
72687102	PRHTM	Motion sensor with humidity timer
72675703	2SHM	2 speed humidity with pull cord boost



TECHNICAL DATA

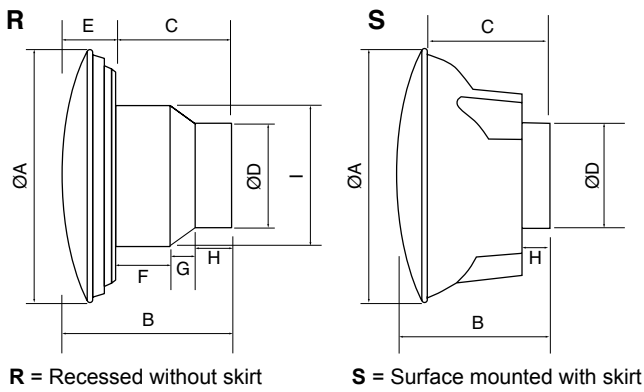
Specification	iCON 60
Air flow [m³/h / l/s]	280 / 78
Fan type	mixed flow
Mounting position	wall / ceiling
Sound pressure @ 3 m [dB(A)]	41.6
Power [W]	66.3
Building regulations	compliant
Duct diameter [mm]	150
Supply voltage	230 V / 1ph / 50 Hz
Ingress protection rating	IPX4
Max ambient temperature [°C]	40
Weight [kg]	1.97
Dimensions H x W x D [mm]	280 x 280 x 165
Part number	72591701
EAN	5019009303482

COVERS

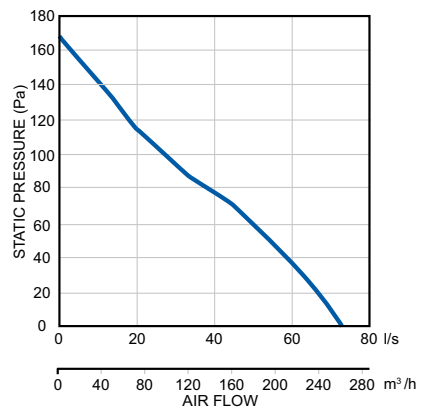
Colour	Part No.	Colour	Part No.
Silver	52634510	Ultimate Grey	52634520
Sandstone	52634511	Turquoise	52634521
Anthracite	52634509	Navy Blue	52634522



DIMENSIONS



PERFORMANCE



Model	A	B	C	D	E	F	G	H	I
iCON 60 R	280	165	110	148	55	38	20	52	177
iCON 60 S	280	165	132	148	-	-	-	46	-

CONTROLS AND ACCESSORIES



Others products available from airflow.com

Call: 01494 525252

Visit: airflow.com



Airflow Developments Limited
Aidelle House, Lancaster Road,
Cressex Business Park,
High Wycombe, Buckinghamshire,
United Kingdom, HP12 3QP

E-mail: info@airflow.com
Telephone: +44 (0) 1494 525252

airflow.com

© Airflow Developments Limited. Airflow Developments Limited reserve the right, in the interests of continuous development, to alter specifications without prior notice. All orders are accepted subject to our conditions of sale which are available on request



80000798 - Issue 5 12/24