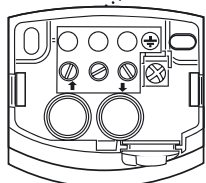
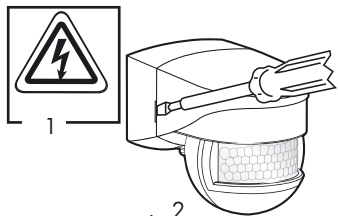


Installation and Operation Instruction motion detector B.E.G. – LUXOMAT® LC-Mini 120 and LC-Mini 180

1. Mounting preparations

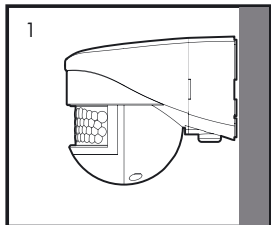


1) **Caution: have all work involving the 230 V mains supply carried out by a qualified electrician! Before starting disconnect the mains! Please be aware, that the LUXOMAT® LC-Mini 120/180 is not suitable as an intrusion detector, since it is not equipped with a tamper contact.**

2) Socket base corner mounting

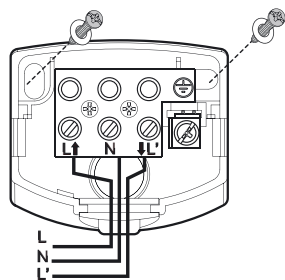
Important: The LUXOMAT® LC-Mini 120/180 has to be mounted in such a way, that the adjusting elements / rotary regulators are always pointed downward.

2. Mounting types



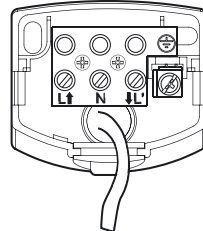
1) Wall mounting

3. Plug-in socket



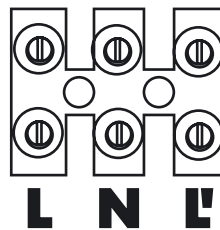
Mount the plug-in socket with two screws and the enclosed seal rings on a firm base. (Pay attention to inserting of the connection cable, see point 4)

4. Inserting of the connection cable

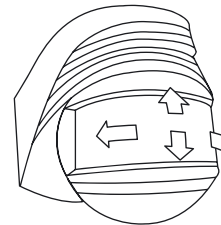


1) Connecting cable from top down and behind
2) Terminal markings

5. Connection

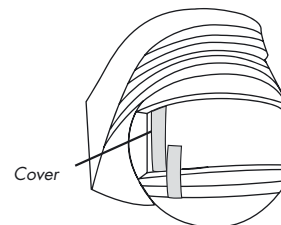


6. Sensor head optics



By swinging the sensor head horizontally (ca. ±45°) and vertically (ca. ±15°) the detection area can be changed.

7. Exclude sources of interference

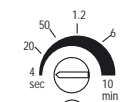
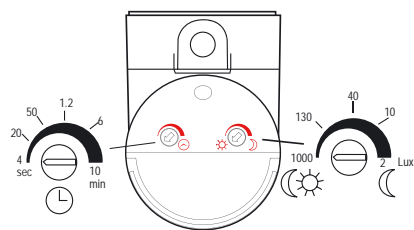


If necessary, the lens segment(s) corresponds to unwanted detection zones may be masked with the enclosed covers to reduce the field of vision.

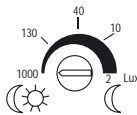
8. Putting into operation / Settings

Self test cycle

After mounting and connecting the 230 VAC supply voltage, the LC-Mini 120 / 180 goes through a self testing unit of 60 seconds. Then the unit is ready for operation and the settings can be made manually or with remote control.

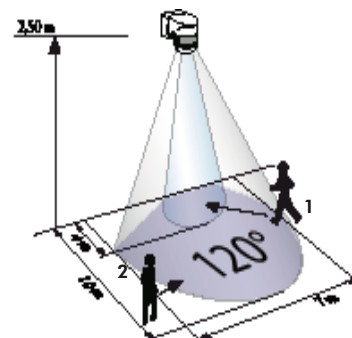


Follow-up time
4 sec. ... 10 min.

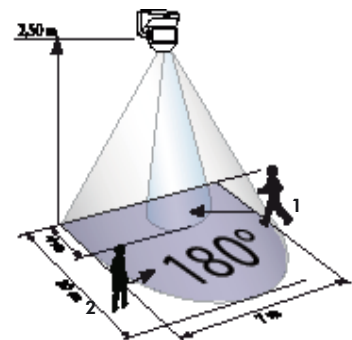


Lux value
Night operation...Dusk...Day operation
(Day operation: light sensor inactive, switching at any brightness value)

9. Range of Coverage

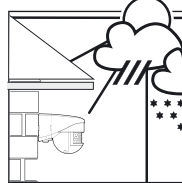


1 ■ walking towards
2 ■ walking across

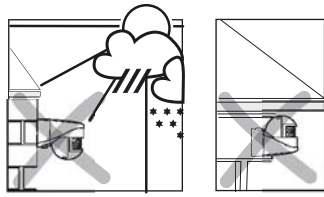


1 ■ walking towards
2 ■ walking across

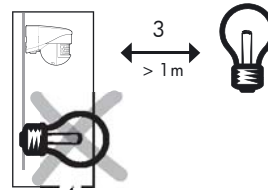
10. Mounting place



1) If possible mount unit on a safe place (wall or ceiling mount)



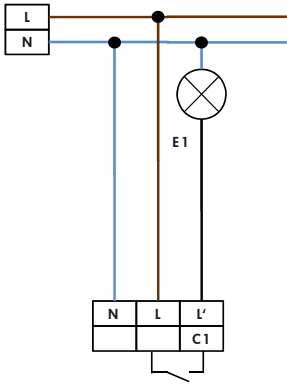
2) Influence of weather reduces the lifetime of the unit. Please take care to mount correctly.



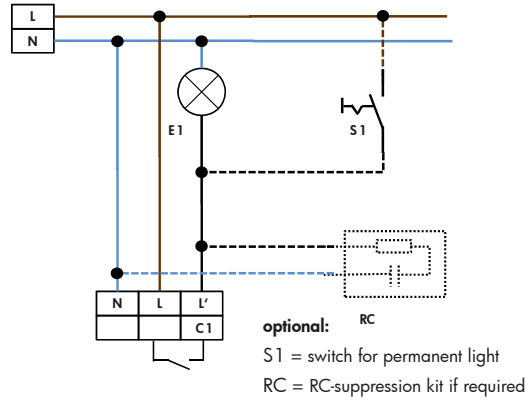
3) Minimum distance to switched lighting, frontally or laterally to device: 1 m
4) Never mount the connected lights below the motion detector!

11. Wiring diagrams

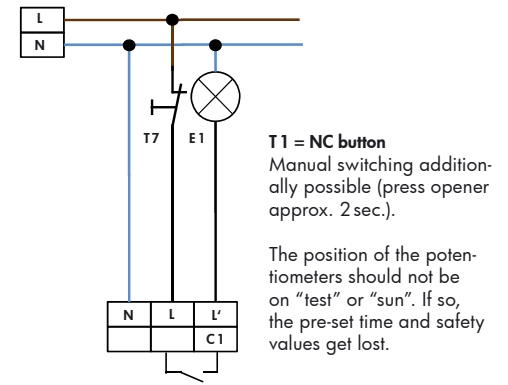
Standard mode with 1-channel motion detector



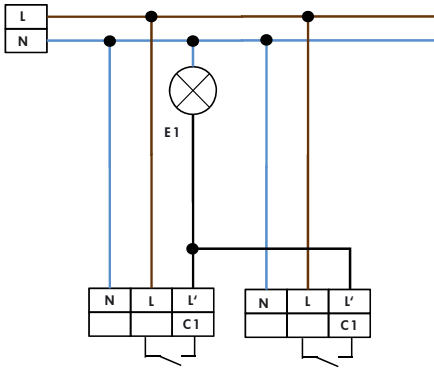
Standard mode with 1-channel motion detector with permanent light function



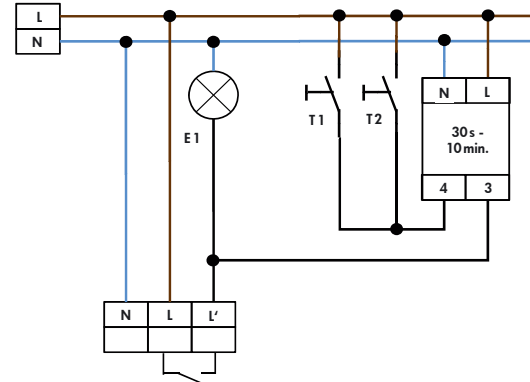
Standard mode with 1-channel motion detector with NC pushbutton



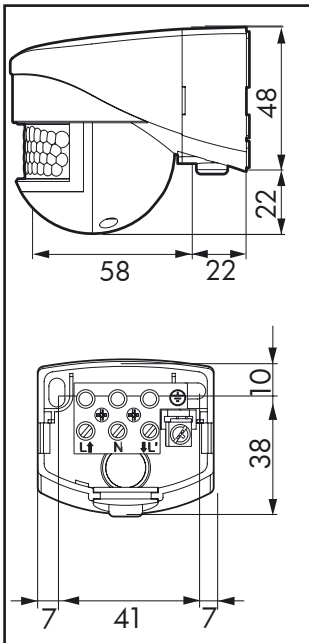
Parallel connection with 1-channel motion detectors



Standard mode with 1-channel motion detector (e.g. stairs)



12. Dimensions (mm)



13. Trouble Shooting-Practical hints

1. Lamp does not light up

Cause - Action

- Lamp is defective
 - Replace light bulb.
- No mains connection
 - Check mains fuse.
- Switching threshold of the twilight switch is not correct
 - Accordingly adjust sensitivity of twilight switch via the setting dial.
- Detection area not set correctly
- Set detection area correctly.
- Unit mounted too high
 - Mount at recommended height (2.50 m)
 - PIR detector lens obstructed by dirt or other objects
 - Clean lens or remove objects

2. Delayed lamp activation

- Mounted too high
 - Mount at height stated in specification (2.5 m)
- Only direct in-line approach of detector is possible
 - Mount detector in such a way that a sideways approach is also detected.

3. Lamp stays on continuously

- Continuous thermal movement within detection area
 - Remove the heat source out of the detection area.
- Check the correct functioning of the detector in fully covering the lens (lights should go out after a certain time-delay).

- Motion detector is switched parallel to a switch that enables direct manual switching on
 - Mind the correct connection of the switch.

4. Light source remains on for long periods when no persons are present

- Permanent influence from heat sources within detection area (trees, shrubs when blown by the wind, presence of animals like cats and dogs in the detection area)
 - Reduce detection area of the detector in turning the detector head downward or cover parts using the enclosed covers.
- Direct sunlight radiation into detector lens
 - Shelter lens from direct sunlight.
- Detector mounted above extractor fan
 - Change mounting place of the detector.

5. Limitation of range (not up to the minimum specification)

- Mounting height is not optimal
 - Accordingly change mounting height (2.50 m). Persons only move directly towards the detector
 - Mount detector in such a way that a sideways approach is also detected.
- Steep terrains
 - Adjust spherical head accordingly.

6. No reaction to vehicles

- Vehicle not warmed up
- Vehicle is well insulated (by silencing equipment)

14. Technical data

- Power supply: 230 V ~ ±10 %
- Detection area: LC-Mini 120 120°
LC-Mini 180 180°

Range of coverage in m:
max. 10 m when walking across (tangential)

Degree of protection/class:
IP 44 / II / CE

Dimension: L 80 x B 55 x H 70 mm

Ambiente temperature: -25°C to +50°C

Package:
Housing UV- and shock-resistant Polycarbonate

Channel 1 for light control

Contact load: 1000 W, cosφ = 1, μ-Contact

Time-settings: 4 s - 10 min.

Brightness value: 2 · 1000 Lux

CE Declaration of Conformity:

The product complies with the low voltage recommendation 2006/95/EC/ and the EMV recommendation 2004/108/EC.

15. Article / Part nr. / Accessory

Typ	Colour	Part nr.
LC-Mini 120	white	91051
LC-Mini 120	black	91071
LC-Mini 180	white	91052
LC-Mini 180	black	91072

Accessory:
RC-Suppressor 10880