



**Mini-Occupancy detector LUXOMAT® PD9 range – Saving energy made easy**

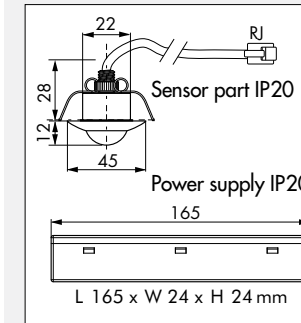
- The small member in our family of presence detectors with only 22 mm Ø
- **Application examples:** offices, conference rooms, hospitals, galleries, nursery schools, bathrooms etc.
- Remote controllable Master units
- The connection of a limited number of slaves is possible
- Dim version
- Available in **KNX/EIB, LON or DALI/DSI**
- Warehouse version for mounting at 10 m
- **IP65 protection with PD9-M-SDB**
- Range 10 m Ø
- The detection area can be altered by using the included blinds
- Connection of sensor and power supply by means of telephone plug RJ11
- Cover ring in white, black or silver

**Example: Energy and environmental balance**

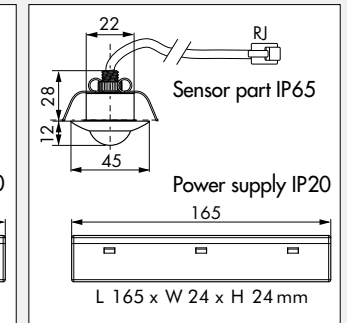
Toilet lighting with PD9			
Mode / bulb	4 light fixtures 4 x 14 W T5		Savings
	with D	without D	
Consumption in kWh / year with an average life span of 8000h	58 kWh	349 kWh	291 kWh
CO <sub>2</sub> emission reduction / year			146 kg*
Also available trees for CO <sub>2</sub> reduction			7**
Costs per year at 0.15 € / kWh	9€	52€	43€

\*0.5 kg CO<sub>2</sub> for generating 1 kWh with average energy mix  
 \*\*1 tree absorbs approx. 20 kg CO<sub>2</sub> / year  
 without D (motion detector) = permanent light (mean total of the time lamps are switched on approx. 8 h in 24 h)  
 with D = light only on with movement (mean total of the time lamps are switched on approx. 1 h in 24 h)

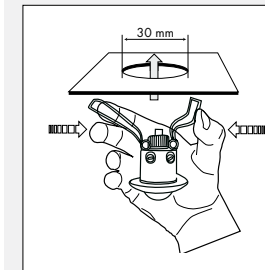
Dimensions for  
 PD9-M-FC  
 PD9-S-FC  
 PD9-M-DIM-FC  
 PD9-1C-FC



Dimensions for  
 PD9-M-SDB-FC  
 PD9-S-SDB-FC



**Installation of the PD9 into ceilings**



Make a circular opening of diameter max. 30 mm into the ceiling. Having connected up the cables in accordance with regulations, the occupancy detector to be connected to the power supply by means of the RJ11 plug and the detector is inserted into the opening as shown below and fixed into position with the assistance of the spring clips.

**Remote controls LUXOMAT® IR-PD9 / IR-PDim**

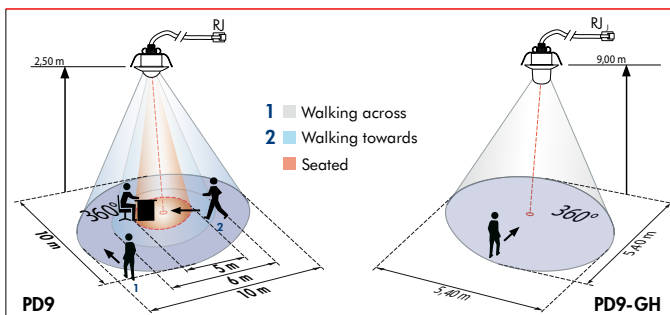


All settings, e.g. twilight values and follow-up times, on the LUXOMAT® PD9-M-FC and PD9-M-SDB-FC may be comfortably set from the ground with the optional LUXOMAT® IR-PD9 infrared remote control.

The optional infrared remote control LUXOMAT® IR-PDim, allows remote dimming and switching.

# B.E.G. LUXOMAT® Mini-Occupancy detector

## Detection area PD9



## Description

Type	Colour	Part Number
PD9-M-FC (Master)	white	92900
PD9-M-FC (Master)	silver	92901
PD9-S-FC (Slave)	white	92905
PD9-S-FC (Slave)	silver	92906
PD9-M-DIM-FC (Master-DIM)	white	92910
PD9-M-DIM-FC (Master-DIM)	silver	92911
PD9-1C-FC (Occupancy detector)	white	92902
PD9-1C-FC (Occupancy detector)	silver	92903
PD9-M-SDB-FC - IP65	white	92912
PD9-M-SDB-FC - IP65	silver	92906
PD9-S-SDB-FC - IP65	white*	92915
PD9-KNX/EIB-FC (KNX/EIB-Version)	white*	92970
PD9-LON-FC (LON-Version)	white*	92930
PD9-DALI-FC (DALI-Version)	white*	92920
Remote control IR-PD9	grey	92201
Remote control IR-PDim	grey	92200

\* silver on request, black also available

## Technical data PD9-M-SDB-FC - Master

Adjustments by remote control IR-PD9

<b>Power supply</b>	230 V~ +6%/-10%; 50 - 60 Hz
<b>Switching channel</b>	2300 W, cos (φ) = 1; 1150 W, cos (φ) = 0,5
<b>Range</b>	e.g. 10 m Ø walking across e.g. 5 m Ø walking towards
<b>Detection area</b>	360°
<b>Time settings</b>	impulse or 15 sec. - 30 min.
<b>Photo electric switch</b>	10 - 2000Lux adjustable with IR-PD9
<b>Degree of protection</b>	sensor part IP65, power supply IP20 / II / CE
<b>Dimensions</b>	detector Ø 45 mm x H 28 mm power supply L 165 x W 24 x H 24 mm
Housing UV- and shock-resistant Polycarbonate	
<b>Ambient temperature</b>	-25°C to +50°C

# B.E.G. LUXOMAT® Mini-Occupancy detector

## Mini-Occupancy detectors PD9 for ceiling mount installation

PD9-M-FC PD9-S-FC		The master may be combined as a switch with the remotely controlled mini presence detectors' slave version with daylight integration, round detection footprints and a switching channel with a powerful relay for activating high-powered lamps.
PD9-M-DIM-FC		Master with dimmer for use in conjunction with the slave version - remotely-controlled mini presence detector with daylight integration as a comfortable and low-cost constant light control. One switching channel and one dimming output with 1-10 VDC interface.
PD9-1C-FC		Mini-Presence detector without daylight integration - adjustments manually by potentiometers with circular detection area and a switching channel with a powerful relay for activating high-powered lamps.
PD9-M-SDB-FC/ PD9-S-SDB-FC		Mini-Presence detector with daylight integration that may be used as the master in combination with the slave version that has been specially designed for use in wet rooms. This product comes with an electrically separated sensor component, a longer power component cable and IP65 protection. Otherwise it possesses the same features as the PD9-M-FC.
PD9 for BUS system		Mini-Presence detector with daylight integration - special versions for networking in KNX/EIB, LON and DALI/DSI applications. KNX/EIB available also in dim version.
PD9-GH		Mini-Presence detector for inside use with circular detection area and approx. 5.40 m range specially for warehouses, wherever a great mounting height is necessary.



## B.E.G. (UK) Ltd.

Q West, Great West Road  
Brentford, Middlesex  
TW8 0GP  
Tel: 0870 850 5412  
Fax: 0870 850 5413  
E-Mail: info@beguk.co.uk  
Internet: www.beg-luxomat.com

## B.E.G. Ireland

Marlin Enterprises  
10 Vesey Place, Monkstown  
Dun Laoghaire, Dublin  
Tel: 012 80 72 05  
Fax: 012 80 77 76  
Internet: www.beg-luxomat.com

# B.E.G. LUXOMAT®

## Mini-Occupancy detector

*Extreme small dimension!*



**The small detector for large savings!**

With B.E.G.  
energy savings =  
cost reduction +  
environmental protection



LFL 5522 - 300709-3 / B.E.G. operates a policy of continuous product improvement and development. As seen we reserve the right to change the product specifications at any time. Errors excepted.

**LUXOMAT® PD9 IP65**