



Technical Data

Nexus Grid Flex Outlet Modules

Brief product description:

The Nexus Grid range is ideal for domestic, commercial and industrial applications, and allows you to build your own module configurations with a variety of combinations and finishes.

Features:

- Cable entry with cord grip
- Suitable for cables with an outside diameter up to 10mm
- Simple secure 'locate & clip' fitting to frame
- Module to be installed with Grid frame and plate

Product Images

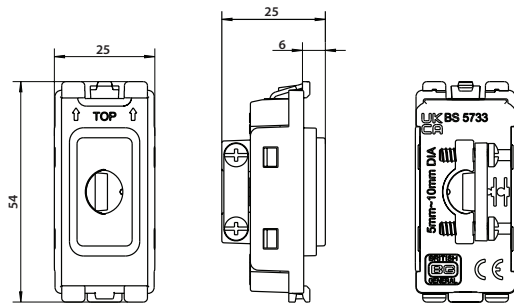


Technical Specifications

Standard(s)	BS 5733
RoHS Directive	No
WEEE Directive	No
Mounting Box Depth (Min)	25mm



Line Diagrams



Packaging Information

Cat No.	Description	Packaging Type			Pack Quantity			Barcode		
		Product	Inner Box	Outer Box	Each	Inner Box	Outer Box	Individual	Inner Box	Outer Box
RFLX	Flex Outlet (up to 10mm) - WH	Bag	Colour Box	Carton	1	10	100	5050765202510	5050765202633	5050765202756
RBSFLEX	Flex Outlet (up to 10mm) - BS	Bag	Colour Box	Carton	1	10	100	5050765202572	5050765202695	5050765202817
RPCFLEX	Flex Outlet (up to 10mm) - PC	Bag	Colour Box	Carton	1	10	100	5050765202541	5050765202664	5050765202787
RBNFLEX	Flex Outlet (up to 10mm) - BN	Bag	Colour Box	Carton	1	10	100	5050765202602	5050765202725	5050765202848

Weights & Dimensions

Cat No.	Description	Dimensions (H x W x D) cm			Weight (kg)			CBM (m ³)
		Product	Inner Box	Outer Box	Each	Inner Box	Outer Box	Outer Box
RFLX	Flex Outlet (up to 10mm) - White	5.4 x 2.5 x 2.5	6.2 x 7.7 x 14.7	16.5 x 16 x 32	0.012	0.15	1.6	0.00845
R**FLEX	Flex Outlet (up to 10mm) - Metal	5.4 x 2.5 x 2.5	6.2 x 7.7 x 14.7	16.5 x 16 x 32	0.014	0.17	1.8	0.00845

British General Helpline
03300 249 279

Supplied by
Luceco PLC
Stafford Park 1 Telford TF3 3BD ENGLAND

Visit our website at
www.bgelectrical.uk