



EVOLVE

DECORATIVE WIRING ACCESSORIES



Technical Data

20 Amp 16AX Light Switch - Wide Rocker

Brief product description:

BG's Evolve range of wiring accessories is available in a variety of colours and finishes to give you greater choice and flexibility when choosing electrical accessories to complement your decor.

The modern screwless front plate is simple to clip on and off, so you can install or leave the base in place when decorating and clip the colour plate in place once the job is complete.

Features:

- Easy to install, supplied with fixing screws and installation instructions
- 2 way switching allows for a second switch position in a circuit
- Captive backed out terminal screws for fast installation and to prevent screw loss
- Screwless front plate clips on and off easily, ideal for redecorating
- Wide rocker switch provides a large touch point for ease of operation

Product Images



PCDCL12WW



PCDMG12WB



PCDDB12WB



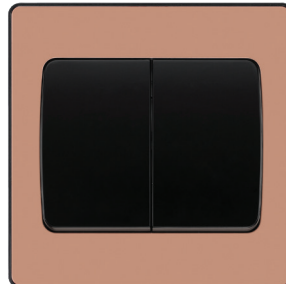
PCDSB12WB



PCDBS42WW



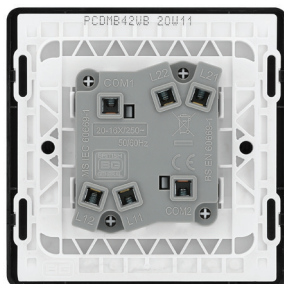
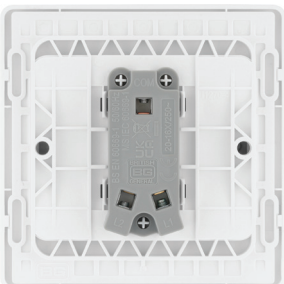
PCDMB42WB



PCDCP42WB



PCDBC42WB



Colour Reference:

CL = Pearlescent White; MG = Matt Grey; DB = Matt Blue; SB = Satin Brass

BS = Brushed Steel; MB = Matt Black; CP = Polished Copper; BC = Black Chrome

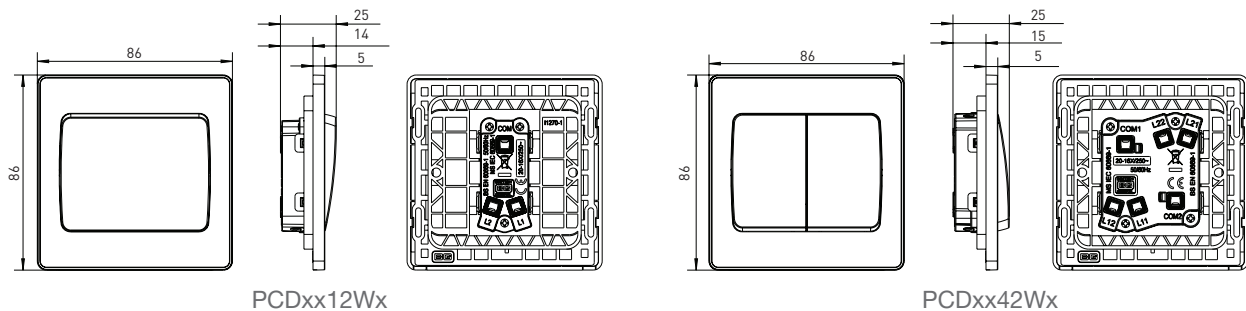
20 Amp 16AX Light Switch - Wide Rocker

Technical Specifications

Standard(s)	BS EN 60669-1
Rating	20 Amp, 16AX inductive rated
Voltage	250V AC
Terminal Capacity	4 x 1mm ² 4 x 1.5mm ² 2 x 2.5mm ² & 1 x 4.0mm ²
RoHS Directive	Yes
WEEE Directive	Yes
Mounting Box Depth (Min)	25mm



Line Diagrams



Packaging Information

Cat No.	Description	Packaging Type			Pack Quantity			Barcode		
		Product	Inner Box	Outer Box	Each	Inner Box	Outer Box	Individual	Inner Box	Outer Box
PCDCL12WW	1G 2W Wide Rkr - CL	Colour Box	Colour Box	Carton	1	/	/	5050765192798	/	/
PCDBS12WW	1G 2W Wide Rkr - BS	Colour Box	Colour Box	Carton	1	/	/	5050765187633	/	/
PCDMG12WB	1G 2W Wide Rkr - MG	Colour Box	Colour Box	Carton	1	/	/	5050765183543	/	/
PCDMB12WB	1G 2W Wide Rkr - MB	Colour Box	Colour Box	Carton	1	/	/	5050765183529	/	/
PCDDB12WB	1G 2W Wide Rkr - DB	Colour Box	Colour Box	Carton	1	/	/	5050765224666	/	/
PCDCP12WB	1G 2W Wide Rkr - CP	Colour Box	Colour Box	Carton	1	/	/	5050765225595	/	/
PCDSB12WB	1G 2W Wide Rkr - SB	Colour Box	Colour Box	Carton	1	/	/	5050765190695	/	/
PCDBC12WB	1G 2W Wide Rkr - BC	Colour Box	Colour Box	Carton	1	/	/	5050765188593	/	/
PCDCL42WW	2G 2W Wide Rkr - CL	Colour Box	Colour Box	Carton	1	/	/	5050765192811	/	/
PCDBS42WW	2G 2W Wide Rkr - BS	Colour Box	Colour Box	Carton	1	/	/	5050765187657	/	/
PCDMG42WB	2G 2W Wide Rkr - MG	Colour Box	Colour Box	Carton	1	/	/	5050765184595	/	/
PCDMB42WB	2G 2W Wide Rkr - MB	Colour Box	Colour Box	Carton	1	/	/	5050765183543	/	/
PCDDB42WB	2G 2W Wide Rkr - DB	Colour Box	Colour Box	Carton	1	/	/	5050765224819	/	/
PCDCP42WB	2G 2W Wide Rkr - CP	Colour Box	Colour Box	Carton	1	/	/	5050765225748	/	/
PCDSB42WB	2G 2W Wide Rkr - SB	Colour Box	Colour Box	Carton	1	/	/	5050765190718	/	/
PCDBC42WB	2G 2W Wide Rkr - BC	Colour Box	Colour Box	Carton	1	/	/	5050765188616	/	/

Colour Reference:

CL = Pearlescent White; MG = Matt Grey; DB = Matt Blue; SB = Satin Brass

BS = Brushed Steel; MB = Matt Black; CP = Polished Copper; BC = Black Chrome

Weights & Dimensions

Cat No.	Description	Dimensions (H x W x D) cm				Weight (kg)				CBM (m ³)
		Unpacked Product	Packed Product	Inner Box	Outer Box	Unpacked Product	Packed Product	Inner Box	Outer Box	Outer Box
PCDxx12Wx	1G 2W Wide Rkr (CB)	8.6 x 8.6 x 2.5	8.7 x 9.0 x 4.3	/	/	0.055	0.081	/	/	/
PCDxx42Wx	2G 2W Wide Rkr (CB)	8.6 x 8.6 x 2.5	8.7 x 9.0 x 4.3	/	/	0.085	0.111	/	/	/

Packaging Format:

(CB) = Colour Box; (EB) = Eco Blister