

BN Thermic Ltd
34 Stephenson Way
Three Bridges, Crawley
West Sussex RH10 1TN
England

BN*thermic*

Tel: +44 (0)1293 547361
Fax: +44 (0)1293 531432

800 Series - High Level and Over Door Fan Assisted Heater INSTALLATION AND OPERATING INSTRUCTIONS

Please read carefully

Personnel - Installation and maintenance must be carried out by suitably qualified personnel.

Application – 800 Series High Level Fan Assisted Heater is designed for mounting above a doorway to counteract the draughts associated with frequently opening doors or for mounting at high level as a space heater in commercial or industrial premises. They are intended for use normal dry atmospheres and should not be exposed to excessively damp conditions.

Packaging - Carefully unpack the heater and discard the packaging.

Location - When used above a doorway, the heater can be wall or ceiling mounted at a height between 1.8m and 3m above floor level and a minimum of 300mm from adjacent walls. It must be mounted horizontally. When used as a space heater, it should be wall mounted at a height between 1.8m and 3m above floor level and a minimum of 300mm from the ceiling and adjacent walls. Ensure that the airflow through the heater is not obstructed in any way and that no object is closer than 1.5m from the heater outlet. Do not position the heater beneath a socket outlet.

Mounting - The mounting kit supplied with each heater consists of the following items.

1 x Fixing Plate (approximately the same length as the heater)
2 x L shaped End Brackets
2 x Plastic Domes
4 x M2.9 screws
6 x M4 bolts

A. Wall mounting above a doorway

Inspect the Fixing Plate. You will see that it has a side with countersunk holes. This is the back of the Fixing Plate and will eventually be mounted against the wall. Offer the long section of the two End Brackets up to the front of the Fixing Plate so that the threaded holes align with the countersunk holes. Use the six M4 bolts to fix the End Brackets to the Fixing Plate ensuring that the 90° bends in the brackets are at the extreme ends of the Fixing Plate. Use the slots in the Fixing Plate to fix this assembly securely to the wall. Offer the heater up to the brackets, ensuring that the air outlet is pointing vertically downwards. The plastic spigot in either end of the heater should be firmly located in the 25mm diameter hole in the End Bracket. Lock the heater in place by using the four screws provided to fit the Plastic Domes to the outside of each End Bracket.

B. Ceiling mounting above a doorway

The mounting method is as described above (A) with the following changes. 1. The short section of the End Bracket should be fixed to the Fixing Plate using four M4 bolts (the other two bolts can be discarded). 2. The Fixing Plate should be fixed to the ceiling rather than the wall.

C. Wall mounting for space heating

The mounting method is as described above (A) with the following changes. 1. The short section of the End Bracket should be fixed to the Fixing Plate using four M4 bolts (the other two bolts can be discarded). 2. Before locking the heater in place with the Plastic Domes, the angle of the heater outlet can be adjusted between 90° (horizontal) and 180° (vertically downwards).

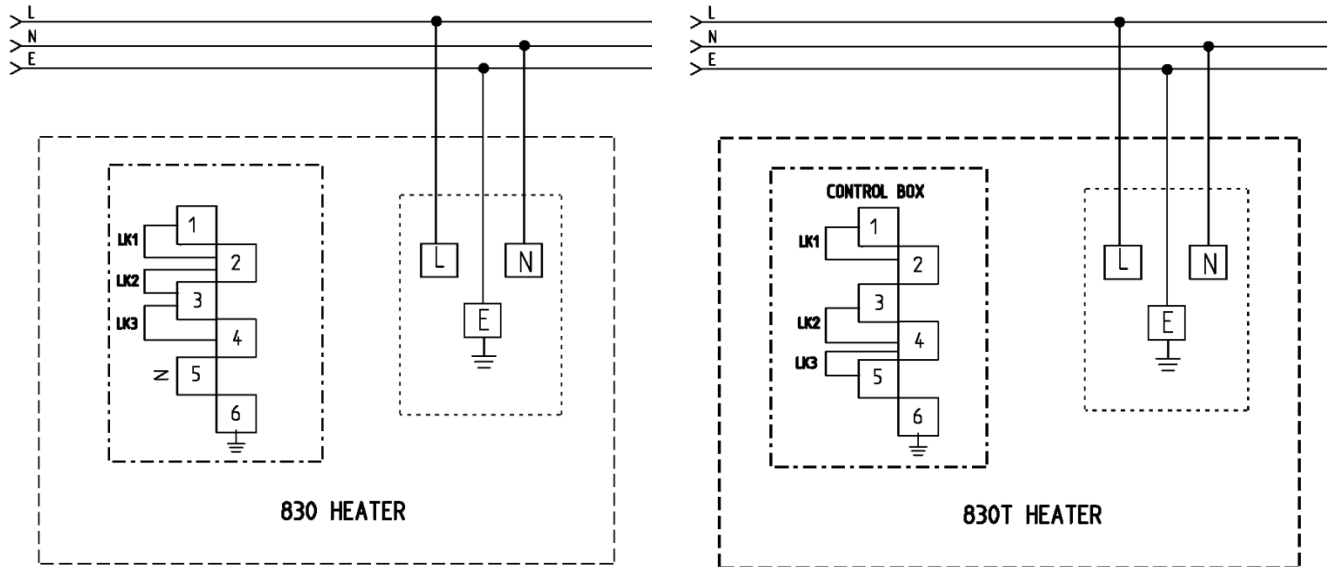
Connection

Always check that the supply voltage is the same as shown on the rating label. Connection to the heater should be made using a suitably rated cable.

Control Options

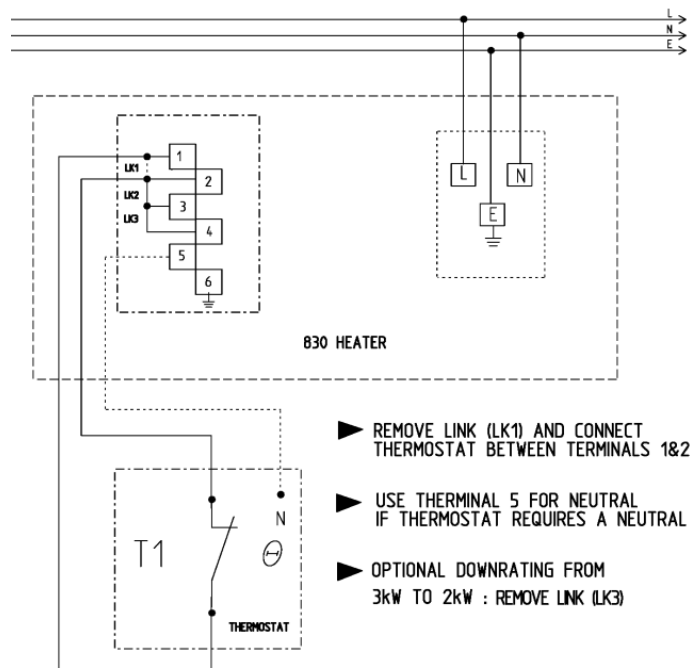
830 and 830T without remote mounted control device

Control is by panel front on/off switch. 830T is also fitted with an electronic thermostat with panel front adjustment knob.

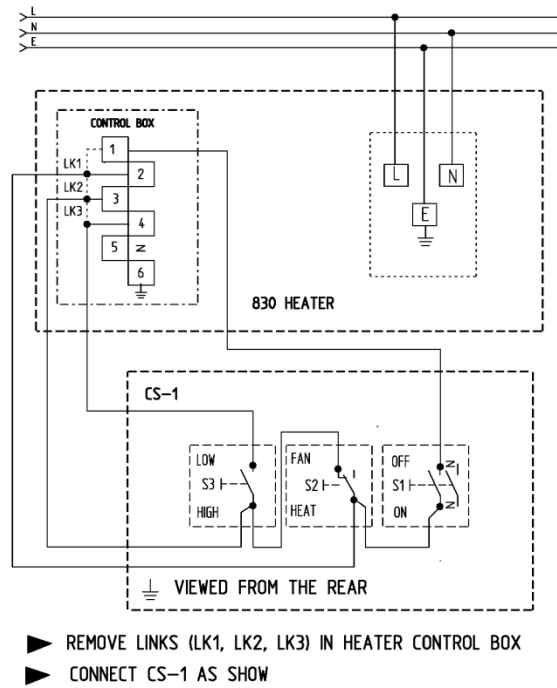


► OPTIONAL DOWNRATING FROM 3kW TO 2kW :
REMOVE LINK (LK3)

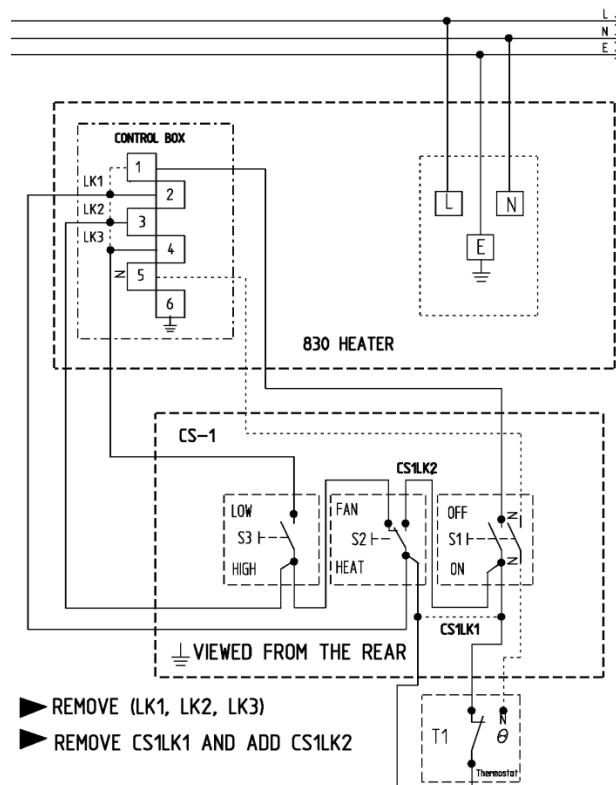
830 with remote mounted thermostat (15A minimum)



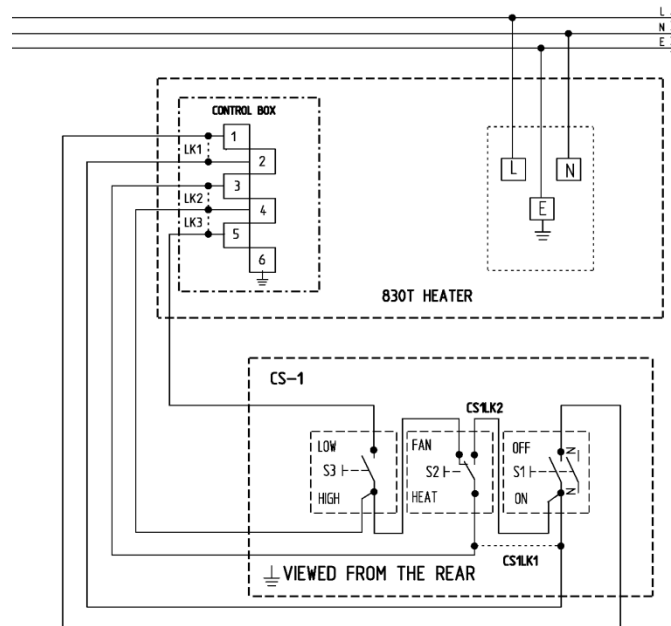
830 with remote mounted CS1 control box providing on/off/high heat/low heat/ fan only settings



830 with both mounted CS1 control box providing on/off/high heat/low heat/ fan only settings and remote mounted thermostat (15A minimum)



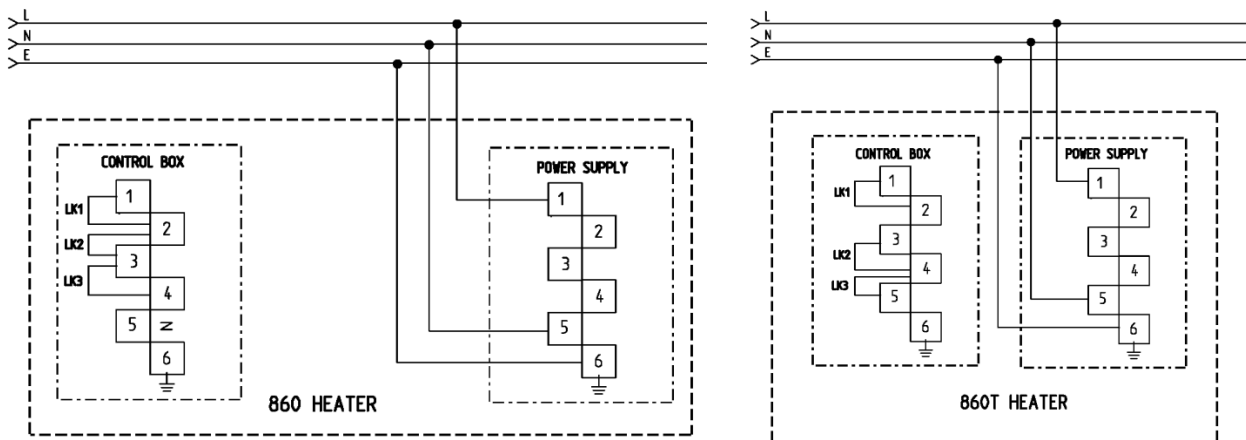
830T with remote mounted CS1 control box providing on/off/high heat/low heat/ fan only settings



- ▶ REMOVE LINKS (LK1, LK2, LK3) IN HEATER CONTROL BOX
- ▶ REMOVE CS1LK1 AND ADD CS1LK2

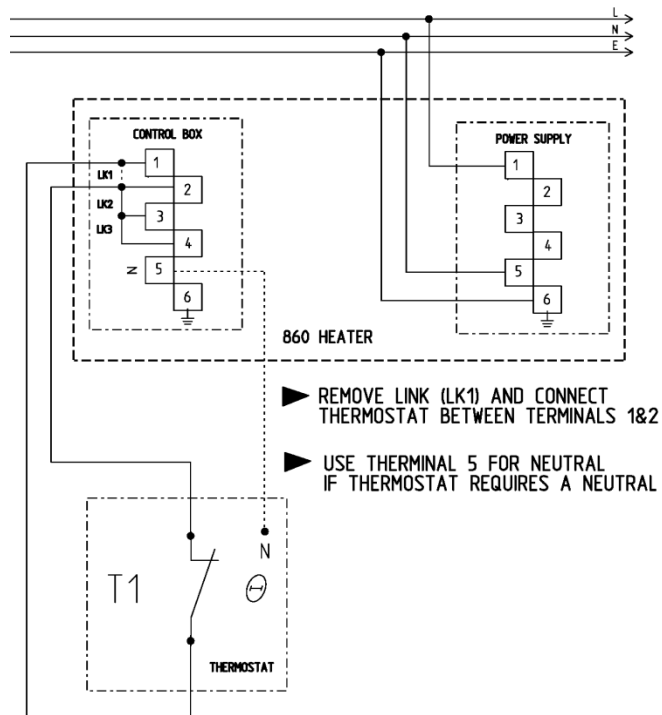
860 and 860T without remote mounted control device

Control is by panel front on/off switch. 860T is also fitted with an electronic thermostat with panel front adjustment knob

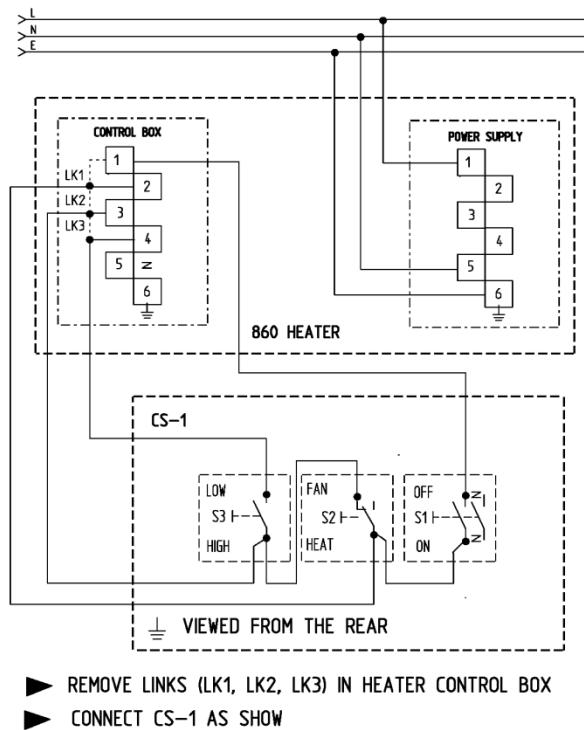


- ▶ OPTIONAL DOWNRATING FROM 6kW TO 4kW :
REMOVE LINK (LK3)

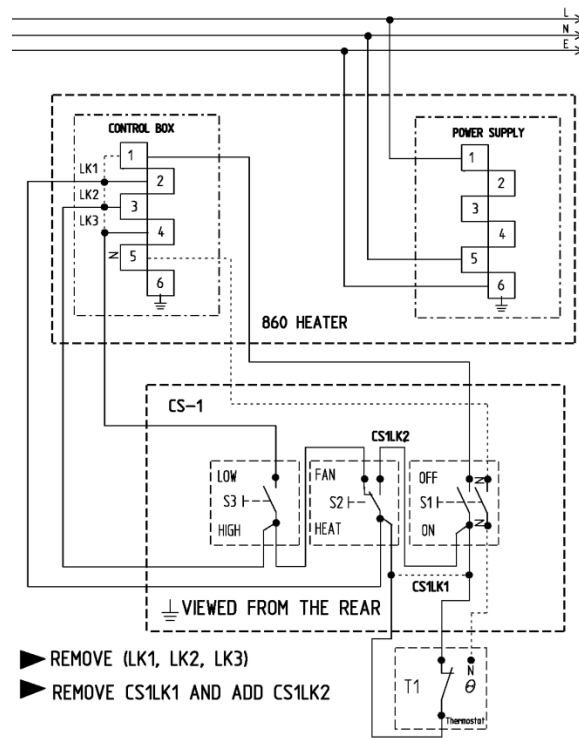
860 with remote mounted thermostat (5A minimum)



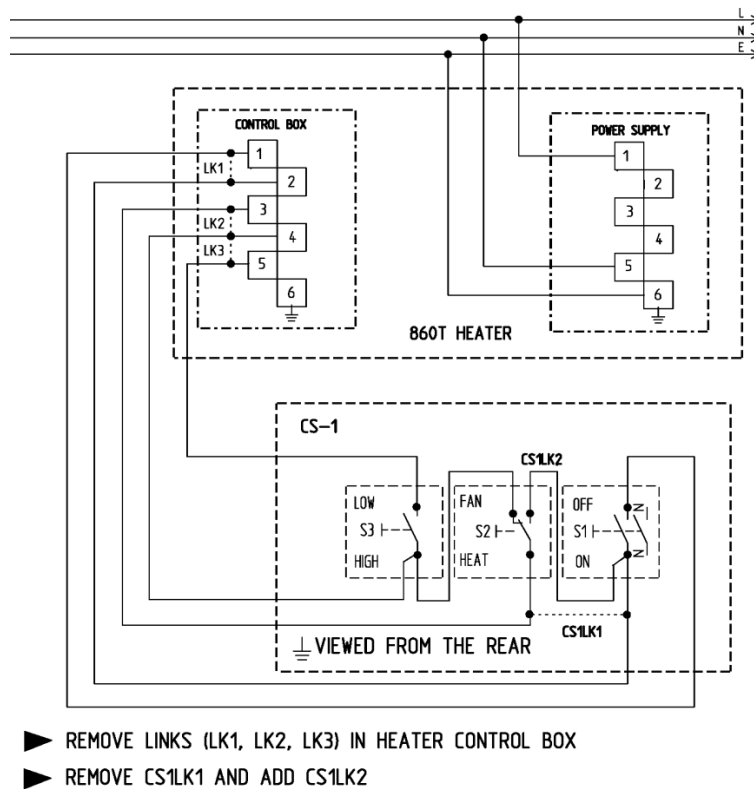
860 with remote mounted CS1 control box providing on/off/high heat/low heat/ fan only settings



860 with both mounted CS1 control box providing on/off/high heat/low heat/ fan only settings and remote mounted thermostat (5A minimum)



860T with remote mounted CS1 control box providing on/off/high heat/low heat/ fan only settings



General

800 series heaters are fitted with an automatically resetting over temperature protection device. Should an overheat situation occur the fan will continue to run. In these circumstances, isolate the heater and ensure that no foreign matter is obstructing the airway through the heater before re-energising. Should the over temperature device operate repeatedly, turn off the heater and contact a qualified electrician.

Maintenance - This heater is factory assembled and tested with all moving parts being factory lubricated. It is intended for many years of satisfactory operation without servicing by the user. Maintenance is limited to keeping the heater clean and preventing an accumulation of dust or other foreign material. Periodically and at least once every year the heater should be wiped over with a soft dry cloth to remove dust. Any dust build-up in the air inlet and outlet should be loosened with a brush and a vacuum cleaner applied to the airway to ensure all dust is removed. When the heater is first turned on after cleaning an unusual odour may be noted. This is a result of dust particles being burnt off the heating element and should not be a cause of concern.

If in doubt always contact a qualified electrician.

Warranty - Your BN Thermic product is guaranteed for one year from date of purchase. We will repair or replace, at our discretion, any part found to be defective. We cannot accept any consequential liability. This guarantee in no way prejudices your rights under common law and is offered as an addition to consumer liability rights.