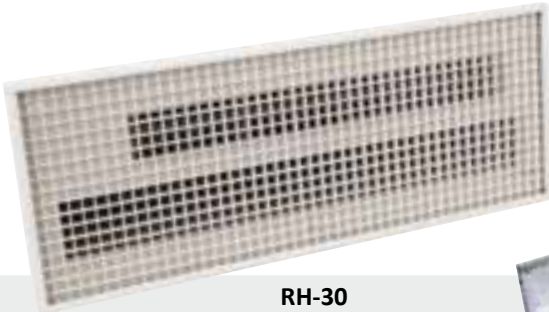


RH Recessed Fan Assisted Heaters

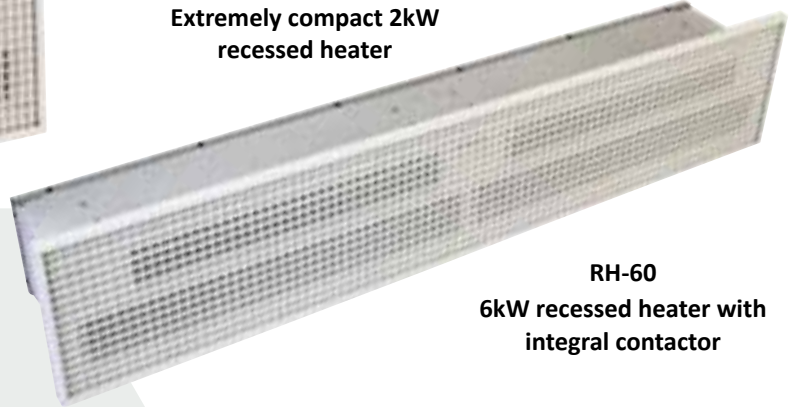
- Providing warm inviting commercial premises
- Choice of ceiling or wall mounting allows free use of floor and wall space, often an important consideration
- First class whole life value from a product built to the highest possible standard and designed to give many years of trouble free service
- Low running costs by selecting from a range of control options



RH-20
Extremely compact 2kW
recessed heater



RH-30
3kW recessed heater commonly
installed above a door



RH-60
6kW recessed heater with
integral contactor

Typical Applications

- Overdoor heating in shops and cafes especially where it is not practical or desirable to install conventional wall-mounted heater
- Space heating in a wide variety of commercial premises
- Changing rooms
- Entrance areas

Features Common to all Models

- Air inlet and outlet through front panel – no requirement for air supply to the rear of the heater
- White aluminium egg-crate grille
- Pre-wired to rear mounted terminal enclosure
- Auto-reset over-temperature protection
- Simple fixing through the face of the heater
- Suitable for vertical or horizontal discharge

Controlling the RH Series

Control mode 1 – Simple on/off control

Simple control using remote isolating switch

Control mode 2 – Remote Tamperproof Thermostat

An RST-TP remote mounted tamperproof thermostat. The Electronic Control Thermostat is connected into the rear mounted terminal enclosure. The RST-TP's tamperproof design prevents casual adjustment of temperature setting.

Control mode 3 – Remote controller

Control is provided by means of a remote mounted CS-1 control box which is connected into the rear mounted terminal enclosure. The CS-1 controller provides on/off/high heat/low heat/fan only settings

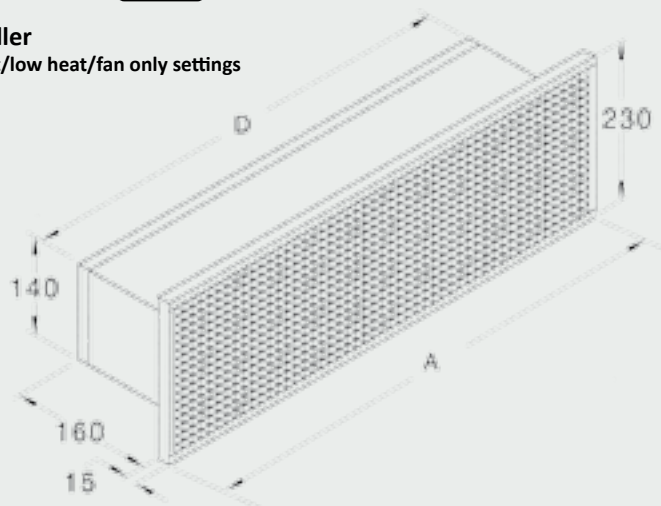
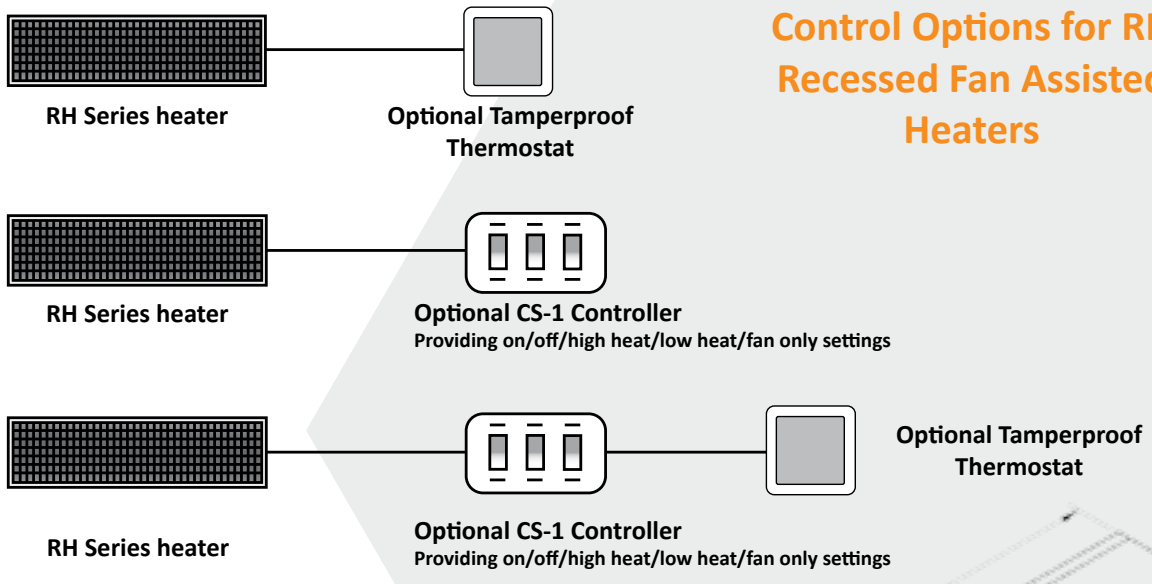
Control mode 4 – Combination of Remote Thermostat and Remote controller

Both remote mounted tamperproof thermostat and remote mounted CS-1 controller are connected into the rear mounted terminal enclosure. The RST-TP's tamperproof design prevents casual adjustment of temperature setting. The CS-1 controller provides on/off/high heat/low heat/fan only settings



Rear view of RH-30
External enclosures allowing the quickest
possible electrical connections

Control Options for RH Recessed Fan Assisted Heaters



RH Dimensions		
Model	A (mm)	D (mm)
RH-20	363	307
RH-30	597	550
RH-60	1198	1138

RH Recessed Fan Assisted Heaters - Specifications and Prices

Model	Volts	kW	Airflow (m ³ /h)	Aperture Size (mm)	Insert Clearance (mm)	Weight (kg)	List Price
RH-20	230	2.0	120	315 x 150	200	3.3	£169.00
RH-30	230	3.0	250	560 x 150	200	4.2	£220.00
RH-60	230	6.0	500	1148 x 150	230	11	£475.00

Optional Remote Mounted Control Devices for the RH Range

Model	Description	Full Details on Page	List Price
CS-1	Controller for all RH models	67	£73.00
RST-TP	Tamperproof Thermostat 20A	67	£80.00



CS-1 Controller
Providing on/off/high heat/low heat/fan only settings



RST-TP
Energy Saving Tamperproof Thermostat