



## INSTRUCTIONS FOR:- TERRACE HEATERS ETH Series

Thank you for purchasing a BN Thermic product. Manufactured to a high standard this product will, if used according to these instructions and properly maintained, give you years of trouble free performance.



**REGISTER:** PLEASE REGISTER THIS PRODUCT ONLINE TO ACTIVATE YOUR GUARANTEE AT  
[www.bnthermic.co.uk](http://www.bnthermic.co.uk)



**IMPORTANT:** PLEASE READ THESE INSTRUCTIONS, NOTE THE SAFE OPERATIONAL REQUIREMENTS, WARNINGS, AND CAUTIONS. USE THIS PRODUCT CORRECTLY, AND WITH CARE FOR THE PURPOSE FOR WHICH IT IS INTENDED. FAILURE TO DO SO MAY CAUSE DAMAGE AND/OR PERSONAL INJURY AND WILL INVALIDATE THE WARRANTY.

### 1. SAFETY INSTRUCTIONS

#### 1.1 ELECTRICAL SAFETY

- WARNING!** It is the responsibility of the owner and the operator to read, understand and comply with the following:
  - You must check all electrical products, before use, to ensure that they are safe. You must inspect power cables, plugs, sockets and any other connectors for wear or damage. You must ensure that the risk of electric shock is minimised by the installation of appropriate safety devices. A Residual Current Circuit Breaker (RCCB) should be incorporated in the main distribution board. If in any doubt consult a qualified electrician. You must also read and understand the following instructions concerning electrical safety.
- 1.1.1 The Health & Safety at Work Act 1974 makes owners of electrical appliances responsible for the safe condition of those appliances and the safety of the appliance operators. If in any doubt about electrical safety, contact a qualified electrician.
- 1.1.2 Ensure that the insulation of all the cables on the appliance is safe before connecting it to the power supply.
- 1.1.3 Ensure that the cables are always protected against short circuit and overload.
- 1.1.4 Regularly inspect the power supply cables and plugs etc. for wear or damage and check all connections to ensure that none are loose.
- 1.1.5 Important: Ensure that the voltage marked on the appliance matches the power supply to be used and that a correctly rated fuse is fitted.
- 1.1.6 Installation should always be carried out by a qualified electrician in accordance with current electrical regulation, protected by a suitably rated isolator and fuse or mcb.
- 1.1.7 DO NOT use worn or damaged cables, plugs or connectors. Immediately have any faulty item repaired or replaced by a qualified electrician.

#### 1.2 GENERAL SAFETY INSTRUCTIONS

- ✓ Remove all packaging and store it away from children, check the package and heater for visible damage or tampering.
- ✓ Familiarise yourself with the applications and limitations of the heater.
- ✓ Ensure the heater is in good order and condition both physically and electrically before use. If in any doubt do not use the unit and contact your supplier.
- ✓ Only use recommended attachments and parts. To use unauthorised parts may be dangerous and will invalidate your warranty.
- ✓ Disconnect from mains and allow to cool before attempting any cleaning.
- X **DO NOT** use in hazardous areas.
- X **DO NOT** touch the heating segments at any time as the radiant surfaces will become dirty (if necessary when installing then use clean textile gloves).
- X **DO NOT** use if ambient temperatures exceed 30°C.
- X **DO NOT** cover the heater or restrict free circulation of air around it.
- X **DO NOT** locate the heater below the power outlet.
- X **DO NOT** install this heater against combustible low-density fibre board surfaces.
- X **DO NOT** disassemble the heater for any reason. This heater must be checked by qualified personnel only.
- X **DO NOT** use this heater to perform a task for which it has not been designed.
- WARNING!** This heater is not equipped with a device to control the room temperature. Do not use this heater in a small room if it is occupied by people not capable of leaving the room on their own, unless constant supervision is provided.
- WARNING!** Ensure there is no possibility of inflammable materials coming into contact with the heater.



### 2. INTRODUCTION & SPECIFICATION

ETH Series terrace heaters are designed for the zonal heating of conservatories, enclosed and roofed balconies and terraces, gazebos, marques etc. – i.e., applications where they are protected against direct contact with the effects of the weather. They have a significantly lower surface temperature than halogen heaters, and they do not radiate unwanted light when in operation.

Model	ETH-10	ETH-15	
Power	1000W	1500W	
Input supply	230V 50Hz 4.4A	230V 50Hz 6.5A	
Dimensions (W x H x D)	1080 x 140 x 45mm	1580 x 140 x 45mm	
Weight	4.0Kg	6.0Kg	
Protection	IP44	IP44	

### 3. MOUNTING / INSTALLATION

- ❑ **IMPORTANT!** Ensure that the mounting surface is capable of supporting the weight of the heater.
- X **DO NOT** place heater directly below any electrical socket / connection.
- X **DO NOT** allow any flammable objects to come within 100cm of the radiant surface.
- X **DO NOT** allow any flammable objects to come within 30cm of any other part of the heater case.
- ❑ **IMPORTANT!** Observe minimum mounting distances.

#### 3.1 CEILING MOUNTING

Panels can be hung from the ceiling using chains or cords which must be attached to the round bracket on the back of the panel. Supplied wall brackets are not required with this mounting, observe mounting clearances.

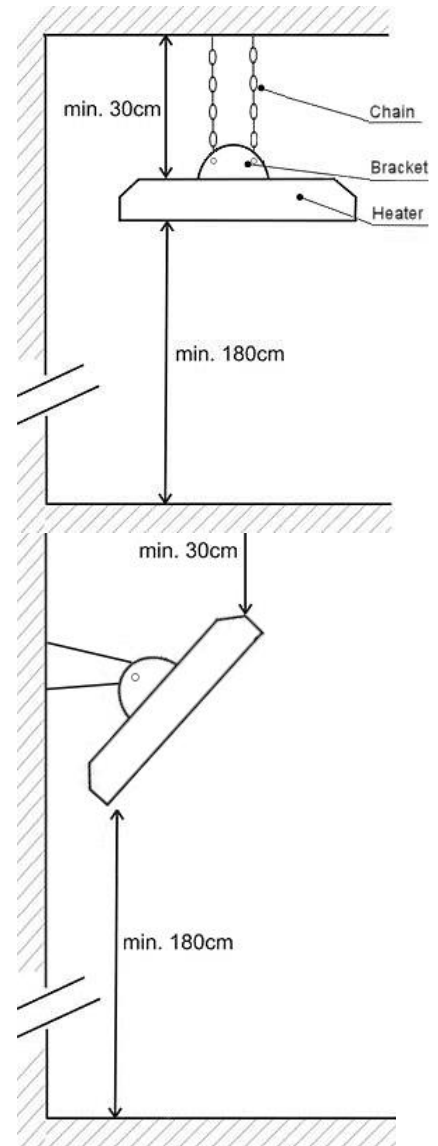
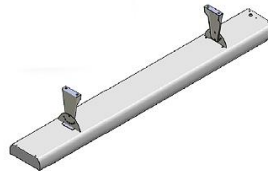
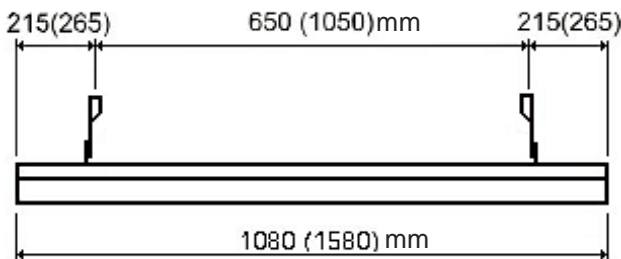
#### 3.2 WALL MOUNTING

The radiant panel can be wall mounted using the supplied brackets and tilted at various angles that the bracket allows, observe mounting clearances.

#### 3.3 PARASOL MOUNTING

The panel can be mounted on suitable parasol arms having a maximum angle of 45° ensuring the correct mounting clearances are maintained.

#### 3.4 MOUNTING DIMENSIONS (Dims in brackets are for ETH-15 model)



#### 3.5 ELECTRICAL CONNECTION

- ❑ **IMPORTANT!** Ensure you have read the Safety instructions and you are a suitably qualified electrician before continuing.
  - ❑ **IMPORTANT!** The voltage marked on the heater must correspond to the supply voltage.
  - ❑ **IMPORTANT!** To comply with the I.E.E. Wiring Regulations, the appliance must be earthed; the supply circuit must be adequate for the input of the appliance, and the circuit protected by a suitable fuse. If the heater is to be connected to a fixed electricity supply, a suitable termination must be provided adjacent to the final position of the appliance. In this instance, such a termination must be a double pole switch with a contact separation of at least 3mm in all poles.
- 3.5.1 Connect the Earth wire GREEN / YELLOW to the earth terminal E or having the symbol - ⊕  
 Connect the Live wire BROWN to the live terminal 'L'.  
 Connect the Neutral wire BLUE to the neutral terminal 'N'.

### 4. OPERATION

When energised the heater will provide its maximum output in around 5 Minutes. During the first heating of the panel, burning out of the material takes place, which can cause a harmless smell and (smoke) for a maximum period of 60 minutes. This is perfectly normal and only occurs for the first hour of use.

### 5. MAINTENANCE

BN Thermic Electric Heaters are factory assembled, tested and are non-user serviceable. They are designed to operate for many years, problem free. Maintenance is limited to dusting and wiping with a damp cloth and detergent. **DO NOT** clean the radiant surface. Note: - Before carrying out any cleaning ensure the heater has cooled down and is disconnected from the mains supply.



This product conforms to EU Directive 2002/96/EC.

This appliance bears the symbol of the crossed waste bin. This indicates that, at the end of its useful life, it must not be disposed of as domestic waste, but must be taken to a collection centre for waste electrical and electronic equipment. It is the user's responsibility to dispose of this appliance through the appropriate channels. Failure to do so may incur penalties established by laws governing waste disposal.

**NOTE:** It is our policy to continually improve products and as such we reserve the right to alter data, specifications and component parts without prior notice.

**IMPORTANT:** No liability is accepted for incorrect use of this product.

**WARRANTY:** Your BN Thermic product is guaranteed for one year from date of purchase. We will repair or replace at our discretion any part found to be defective. We cannot assume any consequential liability. This guarantee in no way prejudices your rights under common law and is offered as an addition to consumer liability rights.

**REGISTER:** Activate your warranty by registering online at [www.bnthermic.co.uk](http://www.bnthermic.co.uk) and retain this installation data for future reference.

BN Thermic Ltd,  
 34 Stephenson Way, Three Bridges,  
 Crawley, RH10 1TN  
 Tel: +44 (0) 1293 547361  
 Email: [sales@bnthermic.co.uk](mailto:sales@bnthermic.co.uk)  
 Web: [www.bnthermic.co.uk](http://www.bnthermic.co.uk)