

Studio Solari Range Built-in ovens

AS8AL-A STUDIO SOLARI



- WIPECLEAN ENAMEL
- MARK RESISTANT COATING
- COOLING FAN
- Electronic Thermostat
- Removable roof liner
- OPTIONAL PIZZA STONE
- OPTIONAL TELESCOPIC RUNNERS
- Optional stay-clean liners

Studio Solari 60cm multifunction oven with aluminium facia
 9 Functions • Wipeclean enamel
 • Mark resistant coating • Oven capacity: 57 litres • LED full programmer with temperature display • Cooling fan • 2 Oven lights
 • Electronic thermostat • Thermostatically controlled grill • Double-glazed removable door • Stainless Steel inner door and cavity frame

Standard accessories: Removable roof liner
 • Removable side racks • 2 x Safety shelves
 • Wipeclean enamelled drip tray with handle
 • Trivet

Optional extra: BPS1 Pizza stone
 • TELKIT Telescopic runners kit
 • SCL3KIT Stay-clean liners

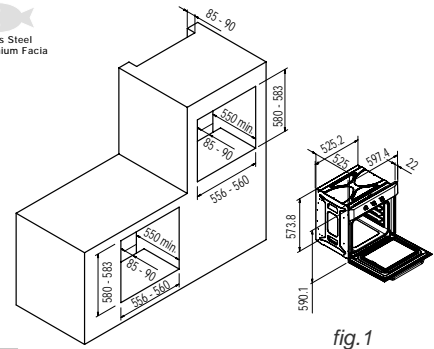


fig.1



AS11SS-A STUDIO SOLARI



- WIPECLEAN ENAMEL
- COOLING FAN
- Electronic Thermostat
- Removable roof liner
- OPTIONAL PIZZA STONE
- OPTIONAL TELESCOPIC RUNNERS
- Optional stay-clean liners

Studio Solari 60cm multifunction oven with aluminium facia
 9 Functions • Wipeclean enamel
 • Oven capacity: 57 litres • Push/Pull chrome knobs • LED full programmer with temperature display • Cooling fan • 2 Oven lights • Electronic thermostat • Thermostatically controlled grill
 • Double-glazed removable door • Stainless Steel inner door and cavity frame

Standard accessories: Removable roof liner
 • Removable side racks • 2 x Safety shelves
 • Wipeclean enamelled drip tray with handle
 • Trivet

Optional extra: BPS1 Pizza stone
 • TELKIT Telescopic runners kit
 • SCL3KIT Stay-clean liners



see fig.1



AS13SS-A STUDIO SOLARI **NEW**



- WIPECLEAN ENAMEL
- MARK RESISTANT COATING
- COOLING FAN
- Electronic Thermostat
- Removable roof liner
- PIZZA STONE
- OPTIONAL TELESCOPIC RUNNERS
- Optional stay-clean liners

Studio Solari 60cm single knob multifunction oven
 9 Functions • Wipeclean enamel
 • Mark resistant coating • Oven capacity: 57 litres • Push/Pull chrome knob • LED full programmer with function and temperature display • Cooling fan • 2 Oven lights
 • Electronic thermostat • Thermostatically controlled grill • Triple-glazed removable door
 • Full width inner door glass

Standard accessories: BPS1 Pizza stone
 • Removable roof liner • Removable side racks
 • 2 x Safety shelves • Wipeclean enamelled drip tray with handle • Trivet

Optional extra: TELKIT Telescopic runners kit
 • SCL3KIT Stay-clean liners



see fig.1



AS14M-A STUDIO SOLARI **NEW**



- SELF-CLEANING
- COOLING FAN
- PIZZA STONE

Studio Solari 60cm multifunction self-cleaning pyrolytic oven with aluminium facia
 10 Functions • Oven capacity: 59 litres
 • LED full programmer • Cooling fan
 • Rotisserie • Thermostatically controlled grill
 • Triple-glazed removable door • Automatic safety door lock when in pyrolytic mode
 • Catalytic exhaust

Standard accessories: BPS1 Pizza stone
 • Rotisserie rack • Rotisserie skewer with removable handle • 2 x Safety shelves
 • Enamelled drip tray with handle • Trivet

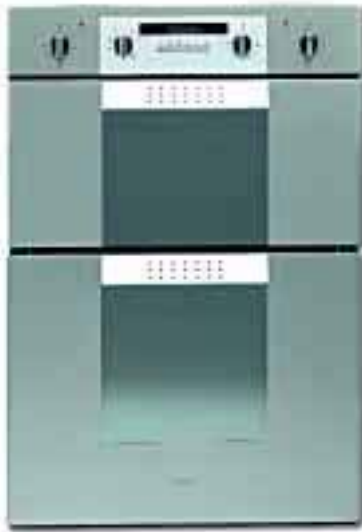


see fig.1



Studio Solari Range Built-in ovens

AS15AL-B **NEW**



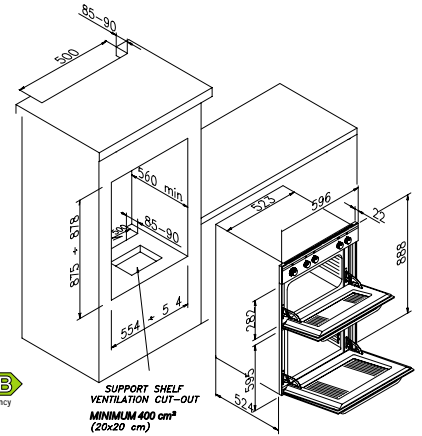
Studio Solari 60cm multifunction double oven with aluminium facia

- LED full programmer • 2 Cooling fans
- Thermostatically controlled grills
- Double-glazed removable doors

- Top oven:** Static oven with grill
4 Functions • Capacity: 31 litres
- Main oven:** Multifunction oven with grill
• 7 Functions • Capacity: 57 litres

- Standard accessories:** BPS1 Pizza stone
• Removable side racks • 2 x Safety shelves
• 2 x Enamelled drip trays with handle • 2 x Trivets

- Optional extra:** SCLKIT Stay-clean liners (main oven only)



SUPPORT SHELF VENTILATION CUT-OUT
MINIMUM 400 cm² (20x20 cm)

Studio Solari Range Built-in hobs

AS4.2SS **NEW**



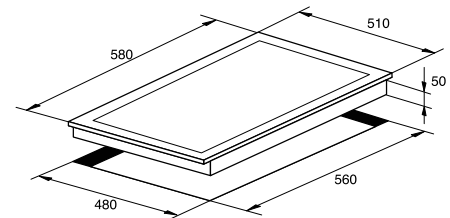
Studio Solari 60cm 4 burner gas hob

- 1 x 3.00 kW rapid burner
- 2 x 1.75 kW semi-rapid burners
- 1 x 1.00 kW auxiliary burner

- Flame failure safety device on each burner
- Side control operation
- Cast iron pan stands
- Underknob auto-ignition

- Optional extra:** BTGRID double-sided griddle plate

Available approximately October 2003



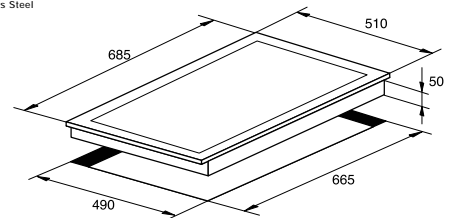
AS6.2SS **NEW**



Studio Solari 70cm 4 hyperspeed zone touch control ceramic hob

- 1 x 1.80 kW hyperspeed zone 180mm Ø
- 2 x 1.20 kW hyperspeed zones 140mm Ø
- 1 x 0.70/1.70 kW double hyperspeed zone 120/180mm Ø

- Front touch control operation
- 4 hyperspeed zones including double zone
- 4 individual residual heat indicators
- Safety lock



Studio Solari Range Built-in hobs

AS7.2SS STUDIO SOLARI **NEW**

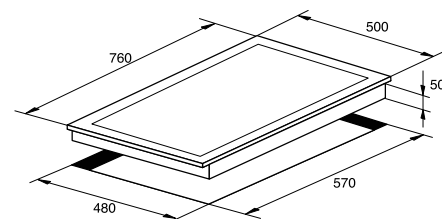


Studio Solari 76cm 5 burner gas hob

- 1 x 3.50 kW triple crown (wok) burner
- 1 x 2.90 kW rapid burner
- 2 x 1.75 kW semi-rapid burners
- 1 x 1.00 kW auxiliary burner
- Flame failure safety device on each burner
- Front control operation
- 2 x Cast iron pan stands
- Underknob auto-ignition

Standard accessories: Wok stand
• LPG conversion kit

Optional extra: AS7.2CHKIT set of chrome pan stands and Stainless Steel burner caps kit.



AS9.1AL STUDIO SOLARI **NEW**

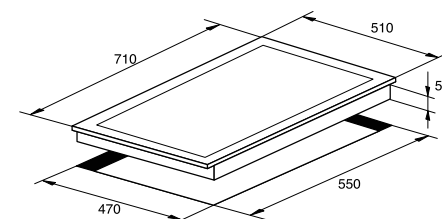


Studio Solari 70cm 5 burner glass gas hob with aluminium frame

- 1 x 3.80 kW triple crown (wok) burner
- 1 x 3.00 kW rapid burner
- 2 x 1.75 kW semi-rapid burners
- 1 x 1.00 kW auxiliary burner
- Front control operation
- Cast iron pan stands
- Underknob auto-ignition
- Silver glass with aluminium frame
- Fits into a standard 60cm cut out

Standard accessories: LPG conversion kit

Available approximately October 2003



Studio Solari Range Cooker hoods

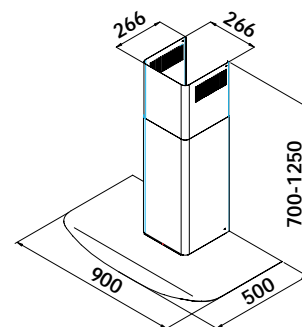
AS12GL STUDIO SOLARI



Studio Solari 90cm glass chimney hood

- High extraction tangential motor
- Touch control operation
- Stainless Steel grease filters
- 2 Halogen lights
- 5 Speeds and Booster
- Extraction capacity: 500m³/hr

Optional extra: 1 x C1 Carbon filter for air recirculation



AS16AL STUDIO SOLARI **NEW**



Studio Solari 90cm aluminium chimney hood

- Superior extraction condenser motor
- Touch control operation
- Remote control
- 2 Metallic filters
- 2 Halogen lights
- 5 Speeds and Booster
- Extraction capacity: 1000 m³/hr

Optional extra: 1 x C1 Carbon filter for air recirculation

