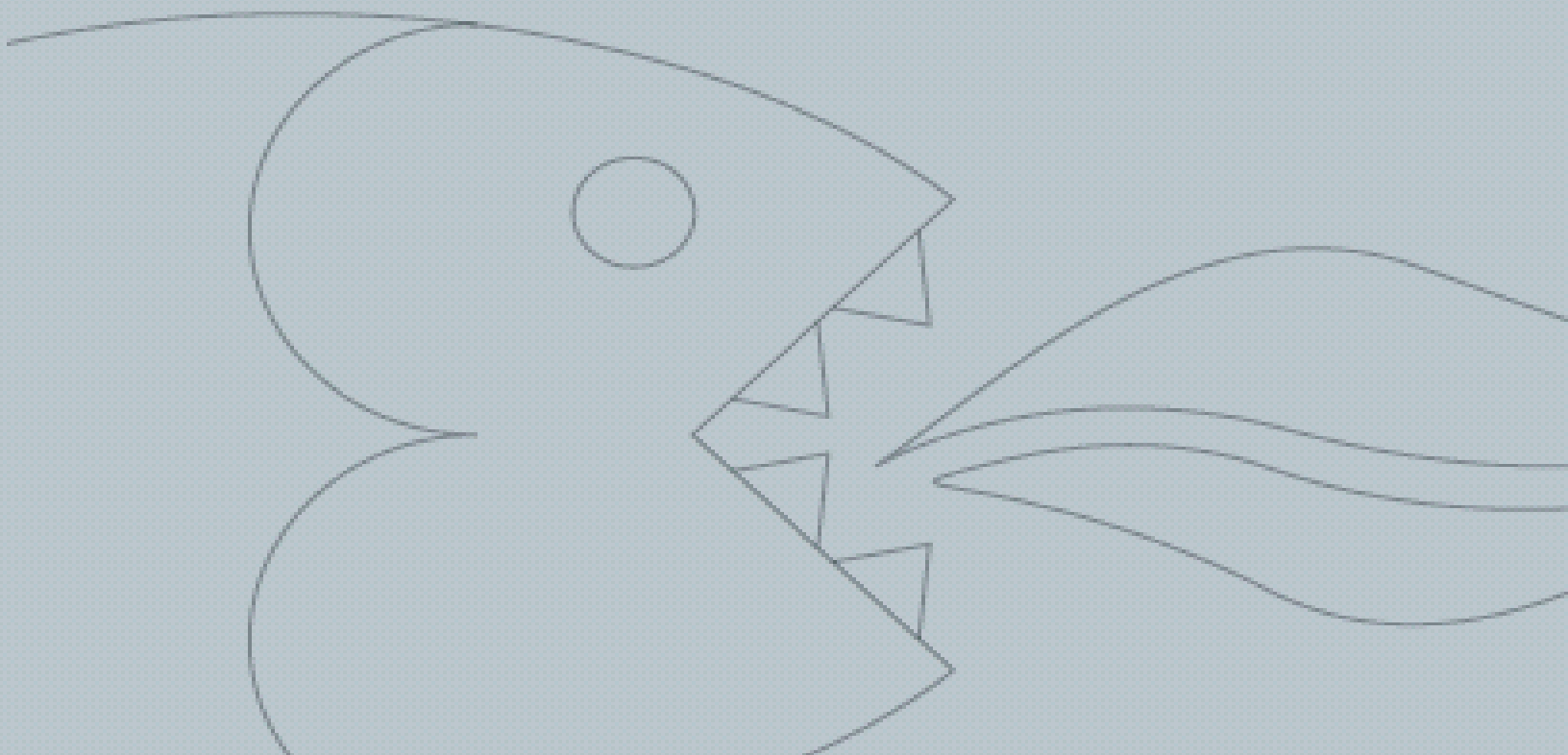


**BT6.3GL/BT6.3BGL**  
**60 cm Glass**  
**chimney hood**

Instruction manual



User Manual for your Baumatic

# BT6.3GL/BT6.3BGL

## Cooker Hood

60 cm Glass chimney hood



  
**Baumatic®**

*You will be mine ...*

**NOTE:** *This User Instruction Manual contains important information, including safety & installation points, which will enable you to get the most out of your appliance. Please keep it in a safe place so that it is easily available for future reference; for you or any person not familiar with the operation of the appliance.*

DD 07/08/07

## Contents Page


<b>Environmental note</b>	4
<b>IMPORTANT SAFETY INFORMATION</b>	5 – 7
<b>Specifications of your cooker hood</b>	8
<b>Using your Baumatic cooker hood</b>	8 - 9
<b>Cleaning your Baumatic cooker hood</b>	10
The grease filter	10
<b>Maintenance</b>	11
Removing and cleaning the grease filter	11
Changing a light bulb	12
Fitting the carbon filters	13
<b>Installation</b>	14
Electrical connection	14 – 15
Before beginning installation	15 – 16
Installing your cooker hood	16 – 18
Connecting to external ducting	19
Fitting the chimney section	19 – 21
Completing the installation	22
<b>Extraction mode or recirculation mode?</b>	22
<b>Troubleshooting</b>	23 - 24
<b>Contact details</b>	25

## ENVIRONMENTAL NOTE

**Note: Before discarding an old appliance, switch off and disconnect it from the power supply. Cut off and render any plug useless. Cut the cable off directly behind the appliance to prevent misuse. This should be undertaken by a competent person.**

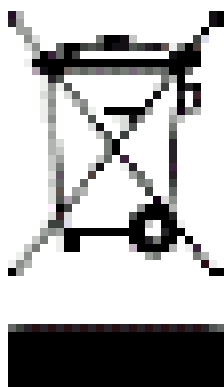
### CONFORMITY TO W.E.E.E. DIRECTIVE

**This appliance is marked according to the European directive 2002/96/EC on Waste electrical and Electronic Equipment (WEEE). By ensuring this product is disposed of correctly, you will help prevent potential negative consequences for the environment and human health, which could otherwise be caused by inappropriate waste handling of this product.**

The symbol  on the product, or on the documents accompanying the product, indicates that this appliance may not be treated as household waste. Instead it shall be handed over to the applicable collection point for the recycling of electrical and electronic equipment.

**Disposal must be carried out in accordance with local environmental regulations for waste disposal.**

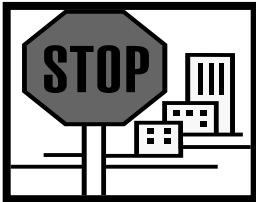
**For more detailed information about treatment, recovery and recycling of this product, please contact your local city office, your household waste disposal service or the shop where you purchased the product.**



## IMPORTANT SAFETY INFORMATION



Your safety is of the utmost importance to Baumatic. Please make sure that you read this instruction booklet **before** attempting to install or use the appliance. If you are unsure of any of the information contained in this booklet, please contact the Baumatic Technical Department.



**IMPORTANT: Any installation work must be carried out by a qualified electrician or competent person.**

- The hood must be installed in accordance with the installation instructions and all measurements followed.
- If the cooker hood is installed for use above a gas appliance then the provision for ventilation must be in accordance with the Gas Safety Codes of Practice BS.6172, BS.5440 & BS.6891 (Natural Gas) and BS.5482 (LP Gas) 1994, the Gas Safety (Installation & Use) Regulations, the Building Regulations issued by the Department of the Environment, the Building Standards (Scotland) (Consolidated) Regulations issued by the Scottish Development Department.
- It is dangerous to alter the specifications or to modify this product in any way. Do not tamper with or attempt to modify the appliance in any way.
- When installing the hood, ensure that the following recommended distances are observed between the highest point on the hob top (including the burners) and the bottom of the cooker hood:

- **Electric cookers:** 700 mm
- **Gas cookers:** 700 mm
- **Coal/ oil cookers:** 800 mm



**IMPORTANT: DO NOT SET YOUR COOKER HOOD LESS THAN 700mm ABOVE YOUR COOKER.**

- When installed between adjoining wall cabinets, the cabinets must not overhang the hob.

- The edges of the cooker hood are sharp – be mindful of this as you handle your appliance, especially during installation and cleaning. **DO NOT CLEAN IN BEHIND THE GREASE FILTER!**
- If the room where the cooker hood is to be used contains a fuel burning appliance such as a central heating boiler then its flue must be of the sealed or balanced flue type.
- If other types of flue or appliances are fitted, ensure that there is an adequate supply of air in the room.
- When the hood is being used in extraction mode, ensure that the ducting is fire retardant and that there are no bends greater than 90 degrees as this will reduce the efficiency of the hood.
- Ensure the ducting for the extractor mode has the same diameter as the outlet hole all the way through.
- Keep young children from using, playing with or tampering with the cooker hood. Older children and infirm persons should be supervised if they are using the cooker hood.



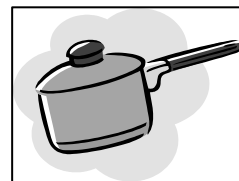
- Your cooker hood is for domestic use only.



- Please dispose of the packing material carefully – children are especially vulnerable to it.
- Dirty oil is an even greater fire risk.

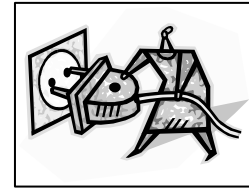


- Always put lids on pots and pans when cooking on a gas cooker.



- The manufacturer refuses to accept any responsibility for damages arising to the hood or for it catching on fire, from a failure to observe the fire safety advice contained in these instructions.

- Remember that when in extraction mode, your cooker hood is removing air from your room. Ensure that proper ventilation measures are being observed.
- **Note that the cooker hood removes odours from your kitchen, not steam.**
- **Warning - Always ensure that the cooker hood has been disconnected from the power supply before carrying out any work on the hood, including cleaning and replacing light bulbs.**



- Do not connect the ducting system of this appliance to an existing ventilation system being used for any other purpose.
- Do not install above a cooker with a high level grill.

- Never leave frying pans unattended during use as overheated fats and oils might catch fire.



- The cooker hood should not be exposed to a direct heat source from the cooking device underneath it, i.e. naked flame from a gas burner or heat from electric hob zones without a pan on them.
- Do not attempt to use the cooker hood if it is damaged in any way. Never attempt to use it without the grease filter fitted or if the filter is excessively greasy!
- Never flambé cook under this cooker hood.
- The lights on this appliance should only be used during operation of the cooker hood. They should not be left on permanently and used as a lighting source.

**THE MANUFACTURER DECLINES ALL RESPONSIBILITY IN THE EVENT OF FAILURE TO OBSERVE THE INSTRUCTIONS GIVEN HERE, FOR INSTALLATION, MAINTENANCE AND SUITABLE USE OF THE HOOD.**



## Specifications of your cooker hood

### Congratulations on purchasing a Baumatic Cooker Hood!

#### DIMENSIONS:

Width	(canopy):	600 mm
Depth	(canopy):	500 mm
Height	(with chimney)	583 mm – 1083 mm

#### DIMENSIONS OF CHIMNEY SECTION:

308 mm x 275 mm

#### Your stainless steel Cooker Hood is fitted with:

- High extraction tangential motor
- Push button control
- 3 Speeds
- Metallic grease filter
- 2 Halogen lights
- Extraction capacity: 500 m<sup>3</sup>/hr
- Noise level min/max: 54 – 64 dB
- Optional Extra: 1 x S1 pair of carbon filters for air recirculation mode (available from the Baumatic Spares Department).

## Using your Baumatic cooker hood

#### Before first use

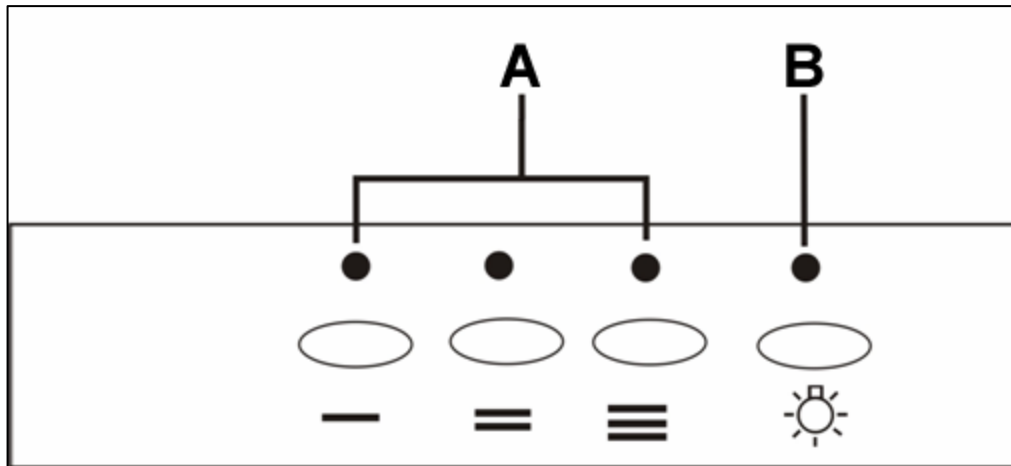


**IMPORTANT: THIS PROCESS MUST BE FOLLOWED BEFORE THE COOKER HOOD IS USED FOR THE FIRST TIME.**

- You should use a good quality stainless steel cleaner on ALL of the stainless steel areas of your cooker hood, before it is used for the first time.
- This will help to leave a silicone water-resistant film to protect the stainless steel surfaces.





## To use your cooker hood




- Make sure that it has been installed by a suitably qualified person, as per the information contained in Baumatic's installation instructions.
- Find the control panel, which is located at the front right of the canopy.
- There are several buttons on the control panel, which perform separate functions.

- **A** = Speed selection buttons

 = Low speed

 = Medium speed

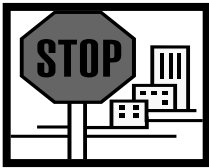
 = High speed

- **B** = Light on/off button



**IMPORTANT: IDEALLY YOU SHOULD TURN ON YOUR HOOD TEN MINUTES BEFORE YOU START TO COOK, OR AT THE VERY LEAST WHEN YOU BEGIN COOKING. YOU SHOULD ALSO RUN YOUR HOOD FOR TEN MINUTES AFTER YOU HAVE FINISHED COOKING.**

## Cleaning your Baumatic cooker hood



**IMPORTANT: BEFORE CLEANING, ALWAYS ENSURE THAT YOU HAVE SWITCHED YOUR COOKER HOOD OFF AT THE OMNI-POLAR SWITCH, SET AT THE WALL FROM THE CABLE.**

### Cleaning

- Clean the external parts of your cooker hood with mild liquid detergent and a new damp cloth.
- Never use abrasive powder, corrosive solvents or brushes.
- Never insert pointed objects into the motor's protective grid.
- Only clean the control panel and grease filter grill with mild liquid detergents and a new damp cloth.
- If you are using the appliance in recirculation mode, then be sure to replace the carbon filters at the recommended interval (see section on "Fitting the carbon filter"). A build up of grease could cause a fire hazard.
- Never attempt to clean the area above the grease filter.
- **IMPORTANT: You should regularly use a good quality stainless steel cleaner to maintain the shine and finish on the stainless steel areas of your cooker hood.**
- This will help to leave a silicone water-resistant film to protect the stainless steel surfaces and keep them in good condition for the life of the product.

### The grease filter

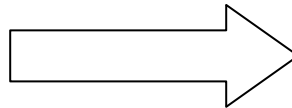
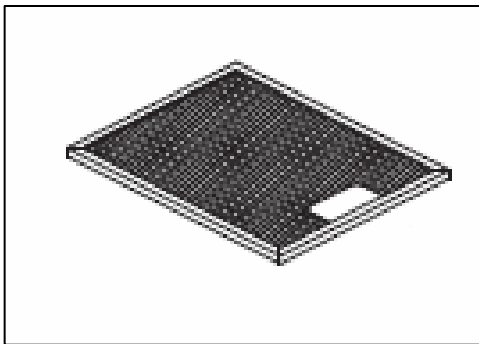
- Your cooker hood includes a grease filter which helps to absorb grease particles to protect your kitchen & furniture from greasy residues.
- The metallic filter may become flammable if it becomes saturated with this greasy residue.
- To prevent this fire hazard, the filter should be cleaned regularly. Depending on use, this should be done every 10-15 days or at least once a month, using hot water and normal washing-up detergent.
- **DO NOT WASH THE GREASE FILTER IN A DISHWASHER.**

## Maintenance

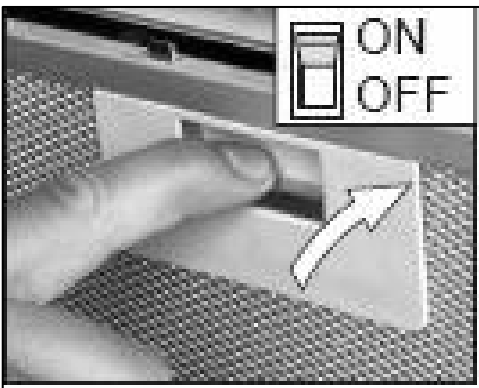
### Removing and cleaning the grease filter



- First remove the grease filter by pulling down on the handle, and then pull it upwards away from the main body of the cooker hood.

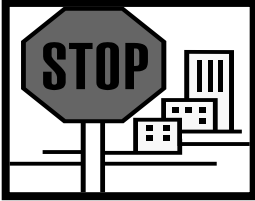


- Soak the grease filter in hot water and washing up liquid for about an hour.
- Rinse it off thoroughly with hot water.
- Repeat the process if required.



- Refit the grease filter once it has dried.
- **IMPORTANT: Let the grease filter dry thoroughly before refitting it in the cooker hood.**

## Changing a light bulb

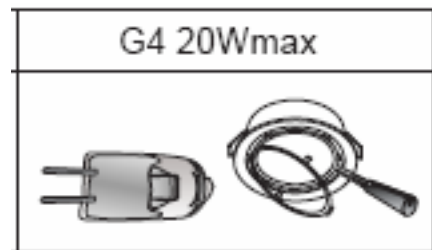


**IMPORTANT: BEFORE ATTEMPTING TO CHANGE A LIGHT BULB, YOU MUST ENSURE THAT YOU HAVE DISCONNECTED THE COOKER HOOD FROM YOUR MAINS SUPPLY.**



- Remove the grease filter (as described on page 11).

- Prior to touching the light bulbs ensure that they have cooled down.
- Find the bulb that requires replacement, you will find it located in the light fixture which is inside the exposed section of the canopy.



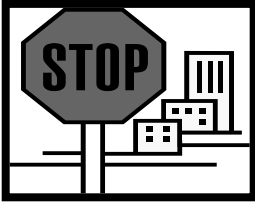
- Use a screwdriver to remove the glass cover that sits over the bulb. Unscrew the light bulb that needs to be replaced and insert a new G4 20W (max) bulb. Then replace the glass cover.
- **IMPORTANT:** Defective bulbs should be replaced immediately.
- If the lights still do not work, make sure that the bulbs are fitted properly into their housings before you call for technical assistance.



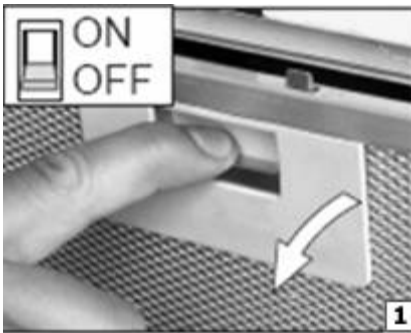
- Refit the grease filter.

## Fitting the carbon filter

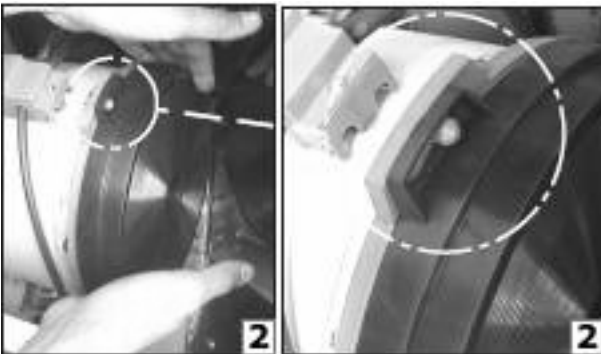
If the appliance is going to be used in recirculation mode then it is necessary to fit carbon filters. This will help to absorb unpleasant odours caused by cooking.



**IMPORTANT: BEFORE ATTEMPTING TO FIT OR REMOVE THE CARBON FILTERS, YOU MUST ENSURE THAT YOU HAVE DISCONNECTED THE COOKER HOOD FROM YOUR MAINS SUPPLY.**



1) Remove the grease filter.



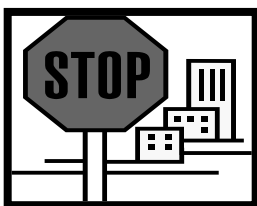
2) Hook the carbon filter over the pins that are located at the end of the motor.



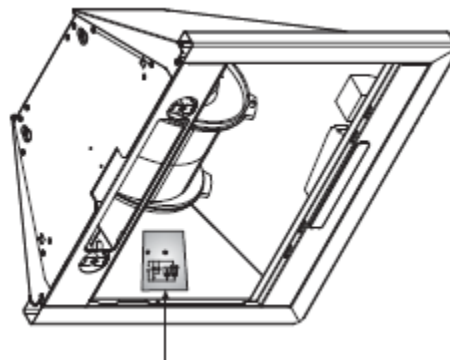
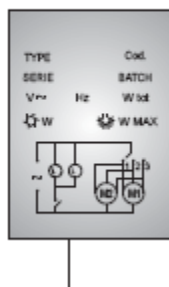
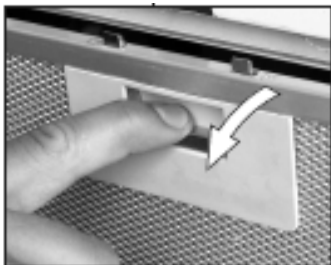
3) Turn the carbon filter anticlockwise, until you feel it click into place.

- Repeat this process for the second carbon filter. You need to place a carbon filter at either end of the motor.
- Refit the grease filter.
- The carbon filters should be replaced every three months, or if they show signs of damage.

## Installation



**IMPORTANT:** Before installation and usage read all the instructions and make sure that the voltage (V) and the frequency (Hz) indicated on the rating plate are exactly the same as the voltage and frequency in your home. The rating plate can be found behind the grease filter.



The manufacturer declines all responsibility in the event of the installer failing to observe all the accident prevention regulations in force, which are necessary for normal use and the regular operation of the electric system.

### Electrical connection

**YOUR COOKER HOOD IS INTENDED FOR FITTED AND PERMANENT INSTALLATION.**



- The cooker hood's power cable must be fitted upstream from the electrical connection, using an omni-polar switch with a contact distance of at least 3 mm. **THE FUSE MUST BE RATED AT 3 AMPS.**

**WARNING: THIS APPLIANCE MUST BE EARTHED.** It should only be connected by a competent person, using fixed wiring via a double pole switched fused spur outlet. **(UK ONLY).**

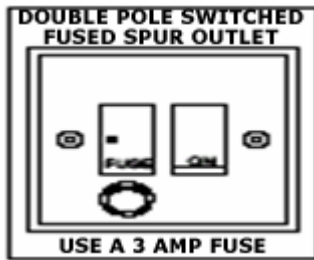


We recommend that the appliance is connected by a qualified electrician, who is a member of the N.I.C.E.I.C. and who will comply with the I.E.E. and local regulations. The wires in the mains lead are coloured in accordance with the following UK code:

**Blue = Neutral, Brown = Live, Green/Yellow = Ground**

**If you only find two wires in the main's lead (blue and brown), then neither must be connected to the earth terminal.**

- As the colours of the wires in the appliance's mains lead may not correspond with the coloured markings identifying the terminals in your spur box, please proceed as follows:



- The **blue wire** must be connected to the terminal marked "N" (neutral), or coloured **black**.
- The **brown wire** must be connected to the terminal marked "L" (live), or coloured **red**.

### Before beginning installation

- Check that the product purchased is of a suitable size for the chosen installation area. In addition check whether there is an electrical socket available that will be accessible once the hood is mounted. If the product is going to be used in extraction mode, then there should also be space to connect a ducting hose to the outside.
- Carry out all necessary masonry work prior to the fitting of the cooker hood.
- Ensure that all electrical connections are carried out by a suitably qualified person.
- Before commencing installation of the cooker hood the grease filter should be removed.
- Check inside the product and ensure that there is no transit packaging or any other materials, such as packets of screws, guarantees etc. These should be removed and kept for future use.
- If possible, disconnect and move freestanding or slot-in cookers from their position, to provide easier access to the rear wall and ceiling. If this is not possible, then a thick, protective covering should be placed over the worktop, hob top or cooker. This will help to protect these surfaces from damage and debris.
- Select a flat surface for assembling the cooker hood. Cover that surface with a protective covering and place all cooker hood parts and fittings on it.

- Rawl plugs are provided to secure the hood to most types of walls and ceilings. However a qualified technician must verify the suitability of the materials, in accordance with the type of wall and ceiling. The wall and ceiling must be strong enough to take the weight of the hood.
- Do not tile, grout or silicone this appliance to the wall. This appliance is designed to be surface mounted only.

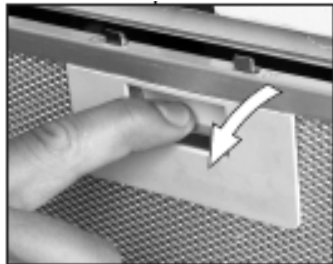
## Installing your cooker hood



**IMPORTANT: YOU WILL HAVE TO DECIDE BEFORE INSTALLING YOUR COOKER HOOD WHETHER TO USE IT IN EXTRACTION MODE OR RECIRCULATION MODE. PLEASE TURN TO PAGE 22 NOW TO UNDERSTAND THE DIFFERENCES BETWEEN THESE TWO MODES.**

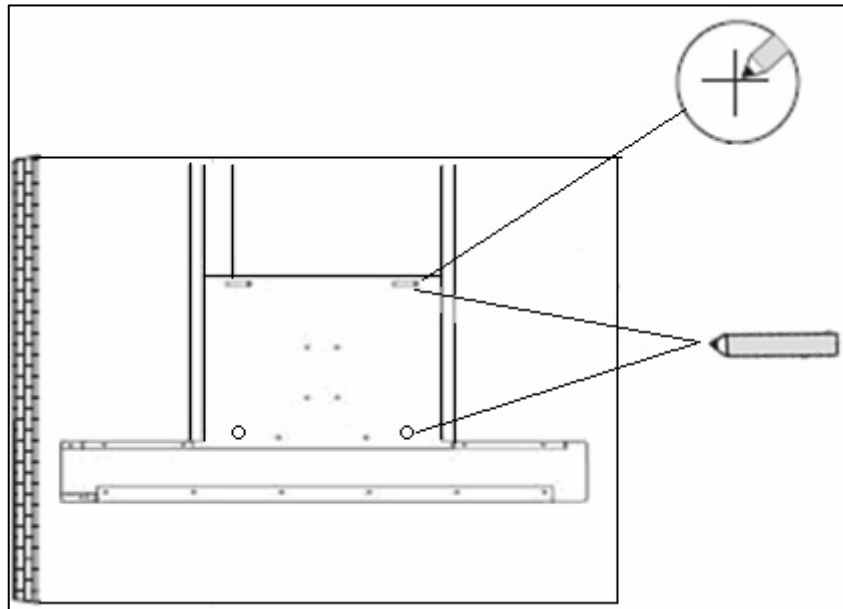
- **We recommend that at least two people install this hood.**

**IMPORTANT: YOUR COOKER HOOD SHOULD BE CONNECTED TO YOUR MAINS SUPPLY AFTER THE REST OF THE INSTALLATION PROCESS HAS BEEN COMPLETED.**

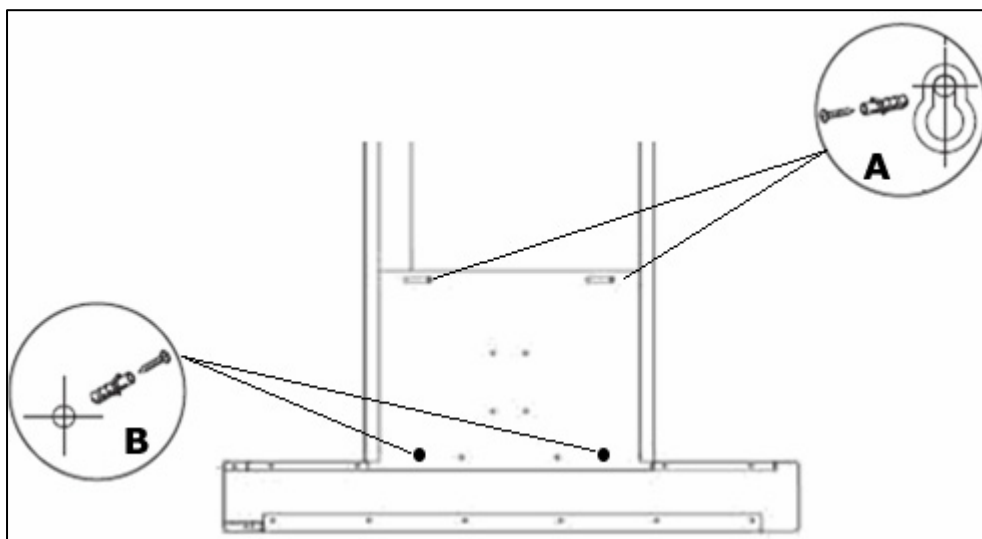


**1) Remove the metal grease filter.**

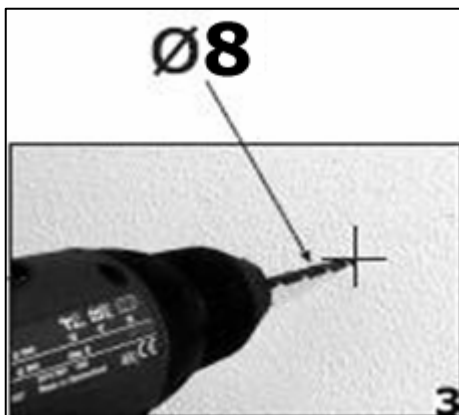




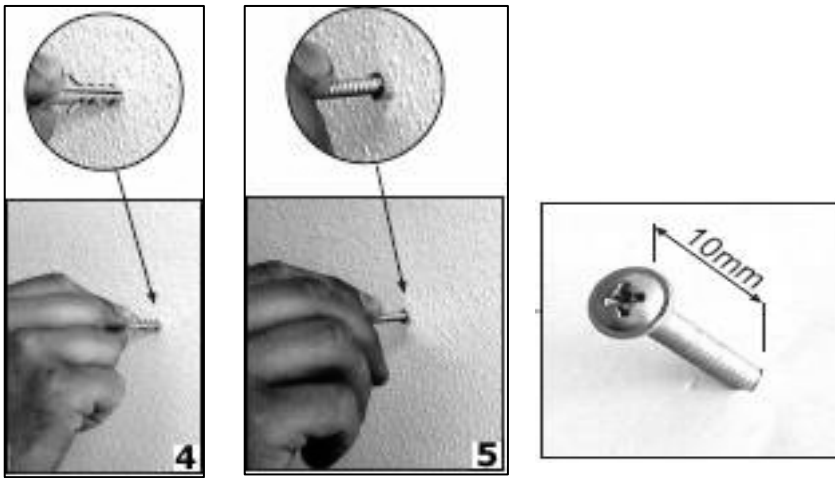
**2)** Position the hood against the wall that you are intending to install it on and mark the position of the support holes that are to be drilled (as shown in the figure below).



**2a)** The support screw holes are indicated by figure **A** in this drawing and the anchoring screw holes are indicated by figure **B**.

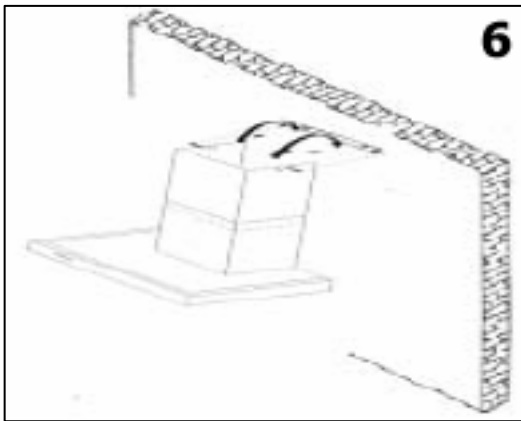


**3)** Using a drill bit with an 8 mm diameter, make holes in the wall on the positions that you have marked in step 2.

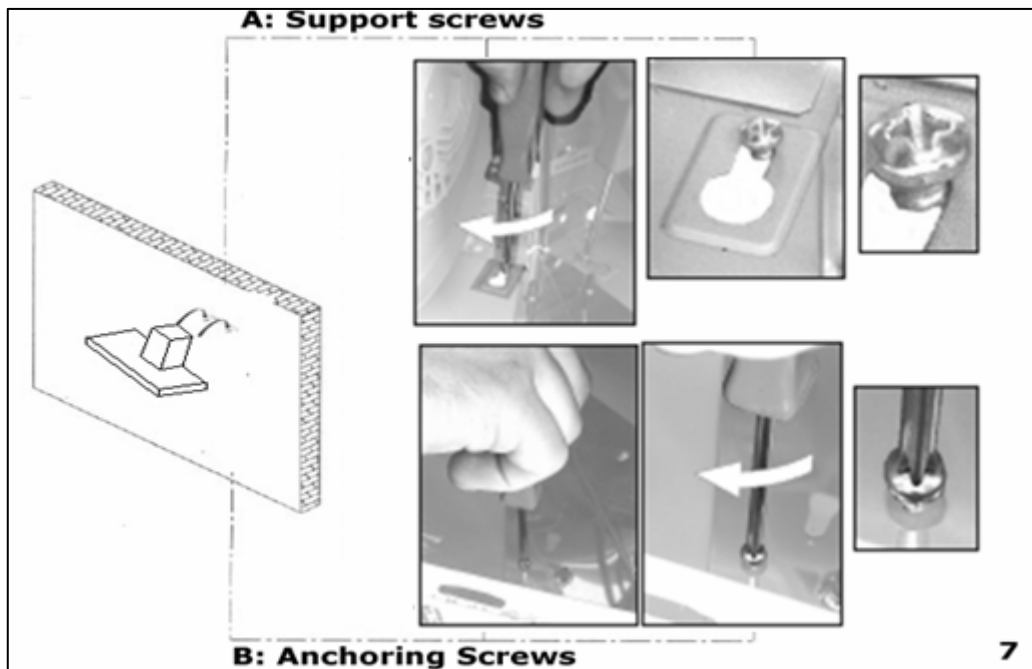


**4)** Insert rawl plugs into all of the holes that you have drilled.

**5)** Fasten the support screws halfway in, leaving them 10 mm out of the wall.

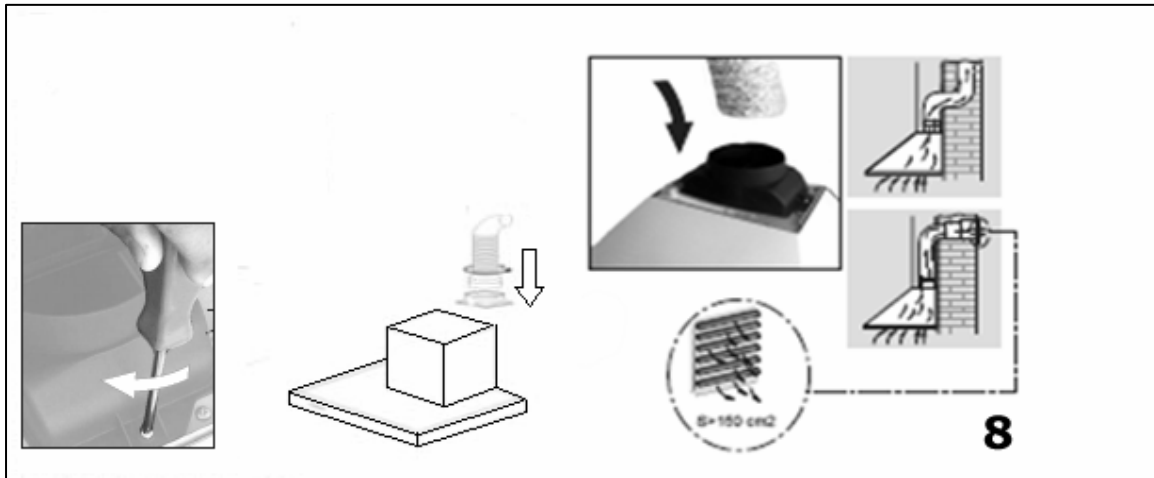


**6)** Hang the hood onto the support screws.



**7)** Fully tighten the support screws **(A)** and then screw the anchoring screws **(B)** through the relevant holes in the cooker hood. Tighten the anchoring screws fully into the wall.

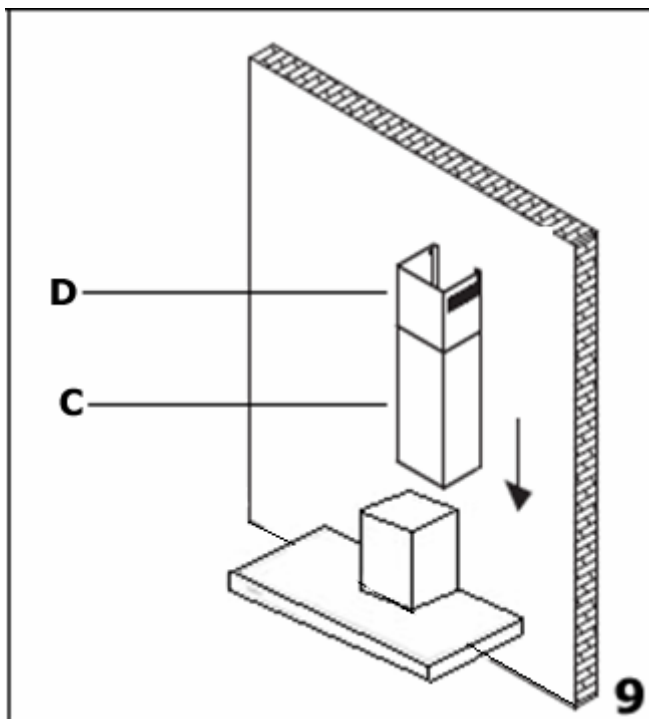
## Connecting to external ducting



**8)** Connect the coupling to the top of the cooker hood, and then connect a 125 mm ducting hose to the coupling (please note that the ducting hose is not supplied with the appliance).

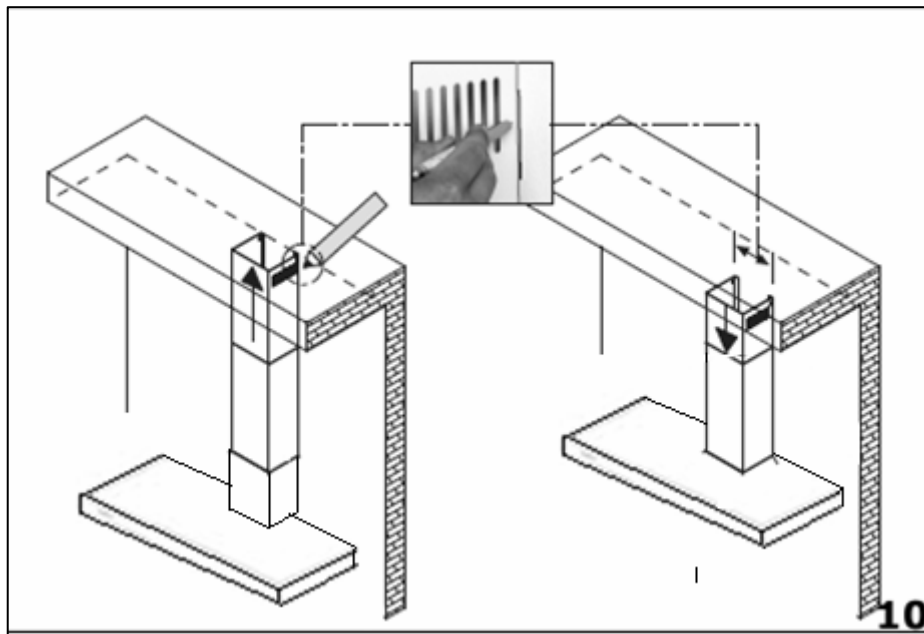
- The other end of the ducting hose should be connected to a discharge outlet that is suitable for cooking vapours. It should have a cross section of at least 150 cm<sup>2</sup>.
- The maximum distance between the coupling and your discharge outlet should be 3 metres, with one 90 degree bend.

## Fitting the chimney



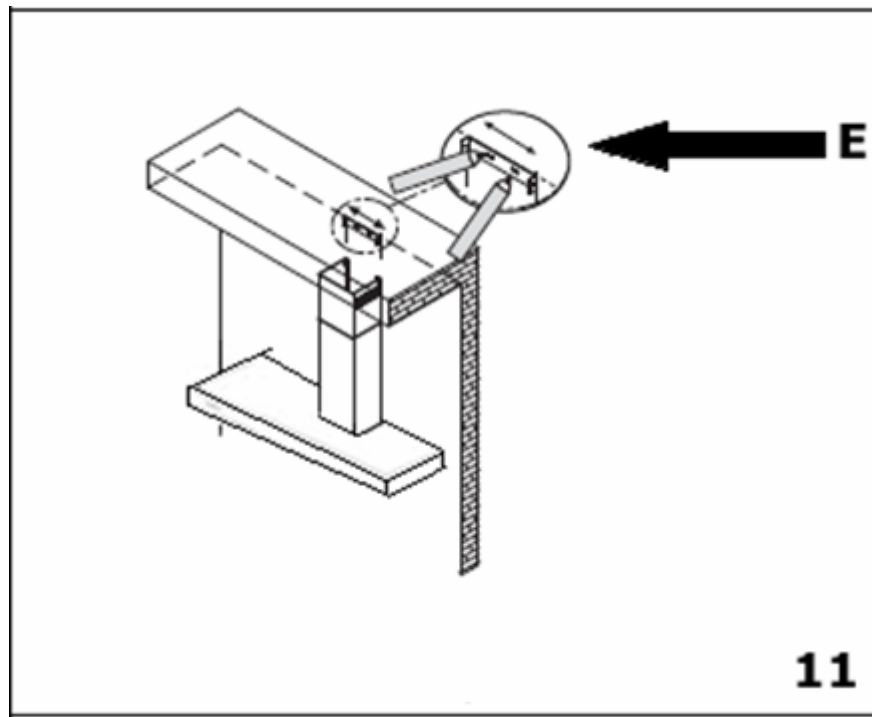
**9)** Take the two chimney sections (**C** and **D**).

- Rest the bottom of chimney section **C** on the top of the hood. You should take care to position the tabs on the chimney section into the rear of the hood.
- Mark the side measurement of both sides of chimney section **C** on the wall with a pencil.



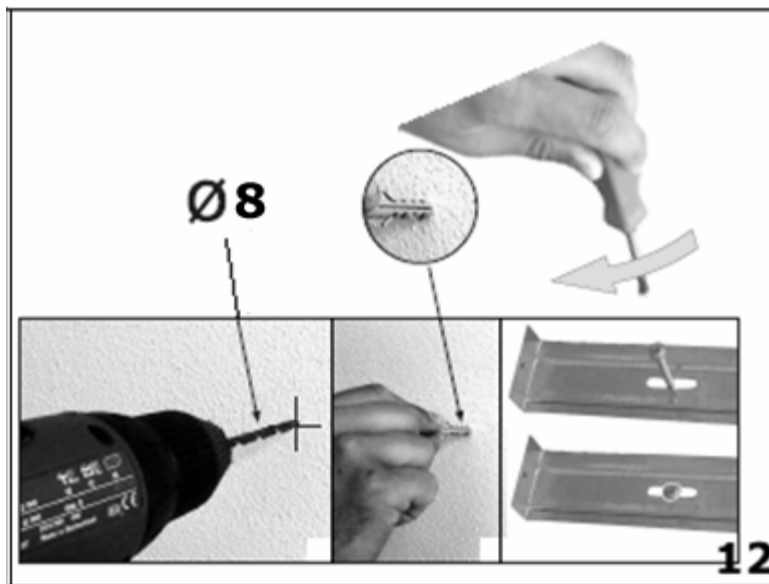
**10)** Lift chimney section **D** upwards until it reaches the ceiling. You must ensure that it is perpendicular to the hood.

- Mark the side measurements of both sides of chimney section **D** on the wall with a pencil and then remove chimney section **D**.



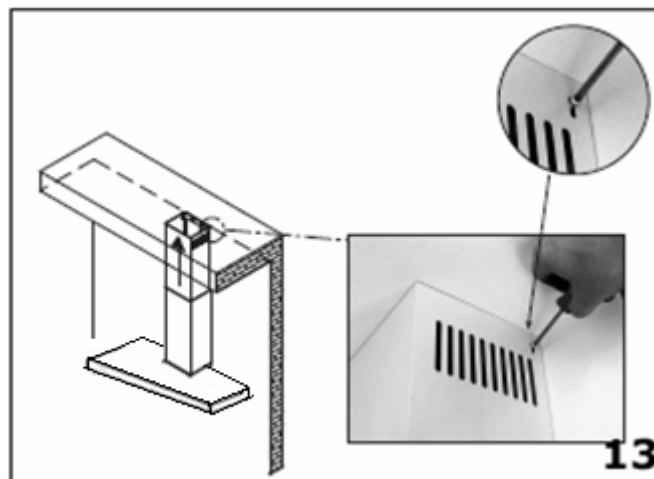
**11)** Take the fixing bracket (**E**) and place it between the two pencil marks that you made in step 9.

- Keeping the bracket in contact with the wall, use a pencil to mark on the wall the anchoring holes that are cut out of the bracket



**12)** Using an 8 mm drill bit, drill out two holes on the pencil markings that you made in step 11. Insert rawl plugs into the holes and then use a screwdriver to secure the fixing bracket to the wall.

- Refit chimney section **C** to the hood and fix it onto the hood using the two screws that are supplied.
- Secure the top of chimney section **C** to the fixing bracket, using the screws provided.



- Slide chimney section **D** inside of chimney section **C**. Then secure the upper bracket to the wall, using the same method as you have just used to secure the lower bracket.

**13)** Lift chimney section **D** up to the ceiling and secure it to the fixing bracket using the screws provided.

## Completing the installation

If you are setting the appliance to recirculation mode, then you should now fit the two carbon filters. See the "Fitting the carbon filters" section on page 13.

The electrical connection must correspond to the electrical requirement noted on the rating plate, which is placed inside the cooker hood. The appliance should now be connected to the electrical supply. See page 14 – 15 for detailed information on the electrical connection.

Use a stainless steel cleaner on the stainless steel sections of the appliance.



Refit the grease filter and then switch on the mains supply to the appliance. Check that the appliance is operating correctly by selecting each speed and switching the light bulbs on and off.

### Extraction mode or recirculation mode?



**IMPORTANT: YOU WILL HAVE TO DECIDE BEFORE INSTALLING YOUR COOKER HOOD WHETHER TO USE IT IN EXTRACTION MODE OR RECIRCULATION MODE.**

### What is the difference between extraction and recirculation modes?

In extraction mode, the stale air will be taken via the grease filter and out of the room via external ducting.

In recirculation mode stale air is taken via the grease filter, and passed through charcoal filters for purification. The air then re-enters the kitchen via an opening in the hood.

For optimum performance, we recommend that the cooker hood is used in extraction mode and connected to external ducting.

Unfortunately if you live in a flat or the hood is too far from an outside wall, this may not be possible. The only alternative is to recirculate the air.

### Do I need a charcoal filter?

All cooker hoods have a grease filter but if you are using your cooker hood in recirculation mode, then a charcoal filters must be fitted in addition to the grease filter.

## Troubleshooting

**IMPORTANT: If your cooker hood appears not to be operating properly, before contacting the Baumatic Service Department, please refer to the checklist below.**



### **My cooker hood will not start.**

- Check that the hood is connected to the electricity supply
- Check that the fan speed control is set correctly.



### **My cooker hood is not working effectively.**

- The fan speed is not set high enough
- The grease filter is dirty and requires cleaning.
- The kitchen is not well ventilated enough.
- If the hood is set up for recirculation mode, check that the carbon filters do not need replacing.
- If the hood is set up for extraction mode, check that the ducting hose and discharge outlet are not blocked.



### **My cooker hood has switched off during operation.**

- The safety cut-out device has been tripped.
- Turn off the hob and then wait for the safety cut-out device to reset.
- **IMPORTANT:** If you have installed your cooker hood too low, the safety cut-out device will frequently trip. Your cooker hood may become damaged if the safety cut-out device is tripped frequently.



**IMPORTANT: If your appliance appears not to be operating correctly, then you should disconnect it from your mains supply and then contact the Baumatic Service Department on telephone number (0118) 933 6911.**

**DO NOT ATTEMPT TO REPAIR THE APPLIANCE YOURSELF.**

Please note that if an engineer is asked to attend whilst the product is under guarantee and finds that the problem is not the result of an appliance fault, then you may be liable for the cost of the call out charge.

**The appliance must be accessible for the engineer to perform any necessary repair. If your appliance is installed in such a way that an engineer is concerned that damage will be caused to the appliance or your kitchen, then he will not complete a repair.**

**This includes situations where appliances have been tiled in, sealed in with sealant, have wooden obstructions placed in front of the appliance, like plinths. Or any installation other than the one specified by Baumatic Ltd. has been completed.**

Please refer to the conditions of guarantee that appear on the warranty card that you receive with the appliance when it is delivered.





*You will be mine ...*

**United Kingdom**

Baumatic Ltd.,  
Baumatic Buildings,  
6 Bennet Road,  
Reading, Berkshire  
RG2 0QX  
United Kingdom

**Sales Telephone**

(0118) 933 6900

**Sales Fax**

(0118) 931 0035

**Service Telephone**

(0118) 933 6911

**Service Fax**

(0118) 986 9124

**Spares Telephone**

(01235) 437244

**Technical Advice Telephone**

(0118) 933 6933

**E-mail:**

sales@baumatic.co.uk  
technical@baumatic.co.uk

**Website:**

www.baumatic.co.uk

**Republic of Ireland**

01- 6266 798

**Czech Republic**

Baumatic CR SPOL. S.R.O.  
46215, Librec  
The Czech Republic

+4204 8357 7200

www.baumatic.cz

**Germany**

Baumatic GMBH  
Janderstrasse 9  
Mannheim, 68199  
Germany

+4962 112 9190

www.baumatic.de

**Italy**

Baumatic Italia S.R.L.  
Via Caltana 129  
Campodarsego (Padova), 35011  
Italy

+3904 9920 2297

www.baumatic.it

**Holland**

Baumatic Benelux B.V.  
Grind Zuigerstraat 22  
ALMERE, 1333 MS  
The Netherlands

+3136 549 1555







**Baumatic®**

[www.baumatic.com](http://www.baumatic.com)