

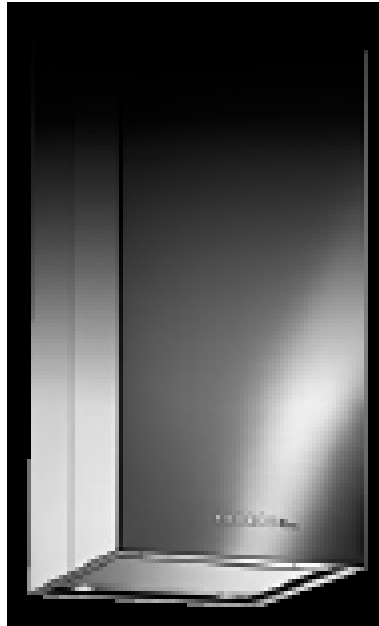
PI1SS
Island cooker hood

Instruction manual



User Manual for your Baumatic

PI1SS Pythagora 40 cm island cooker hood




Baumatic®

You will be mine ...

NOTE: This User Instruction Manual contains important information, including safety & installation points, which will enable you to get the most out of your appliance. Please keep it in a safe place so that it is easily available for future reference; for you or any person not familiar with the operation of the appliance.


Environmental note	4
IMPORTANT SAFETY INFORMATION	5 – 7
Specifications of your cooker hood	8
Using your Baumatic cooker hood	9
The control panel	9
The timer button	10
Grease filter maintenance alarm	10
Cleaning your Baumatic cooker hood	11
The grease filter	11
Maintenance	12
Removing and cleaning the grease filter	12
Changing a light bulb	13
Fitting the carbon filters	14
Installation	15
Electrical connection	15 - 16
Before beginning installation	16 - 17
Extraction mode or recirculation mode?	17
Installing your cooker hood	18 - 23
Connecting to external ducting	24
Completing the installation	24
Troubleshooting	25
Baumatic Ltd. conditions of guarantee	26
Contact details	27

ENVIRONMENTAL NOTE

Note: Before discarding an old appliance, switch off and disconnect it from the power supply. Cut off and render any plug useless. Cut the cable off directly behind the appliance to prevent misuse. This should be undertaken by a competent person.

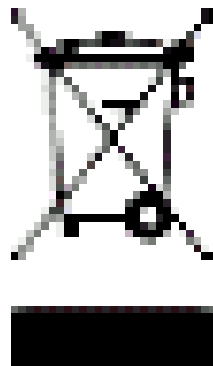
CONFORMITY TO W.E.E.E. DIRECTIVE

This appliance is marked according to the European directive 2002/96/EC on Waste electrical and Electronic Equipment (WEEE). By ensuring this product is disposed of correctly, you will help prevent potential negative consequences for the environment and human health, which could otherwise be caused by inappropriate waste handling of this product.

The symbol  on the product, or on the documents accompanying the product, indicates that this appliance may not be treated as household waste. Instead it shall be handed over to the applicable collection point for the recycling of electrical and electronic equipment.

Disposal must be carried out in accordance with local environmental regulations for waste disposal.

For more detailed information about treatment, recovery and recycling of this product, please contact your local city office, your household waste disposal service or the shop where you purchased the product.

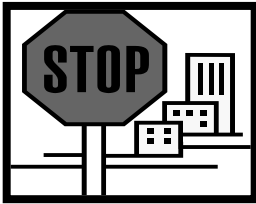


- The packaging materials that Baumatic uses are environmentally friendly and can be recycled.
- Please discard all packaging material with due regard for the environment.

IMPORTANT SAFETY INFORMATION



Your safety is of the utmost importance to Baumatic. Please make sure that you read this instruction booklet **before** attempting to install or use the appliance. If you are unsure of any of the information contained in this booklet, please contact the Baumatic Technical Department.



IMPORTANT: Any installation work must be carried out by a qualified electrician or competent person.

- The hood must be installed in accordance with the installation instructions and all measurements followed.
- If the cooker hood is installed for use above a gas appliance then the provision for ventilation must be in accordance with the Gas Safety Codes of Practice BS.6172, BS.5440 & BS.6891 (Natural Gas) and BS.5482 (LP Gas) 1994, the Gas Safety (Installation & Use) Regulations, the Building Regulations issued by the Department of the Environment, the Building Standards (Scotland) (Consolidated) Regulations issued by the Scottish Development Department.
- It is dangerous to alter the specifications or to modify this product in any way. Do not tamper with it or attempt to modify the appliance.
- When installing the hood, ensure that the following recommended distances are observed between the highest point on the hob top (including the burners) and the bottom of the cooker hood:



- **Electric cookers:** **700 mm**
- **Gas cookers:** **700 mm**
- **Coal/ oil cookers:** **800 mm**

IMPORTANT: DO NOT SET YOUR COOKER HOOD LESS THAN 700 mm ABOVE YOUR COOKER.

- When installed between adjoining wall cabinets, the cabinets must not overhang the hob.

- The edges of the cooker hood are sharp – be mindful of this as you handle your appliance, especially during installation and cleaning. **DO NOT CLEAN IN BEHIND THE GREASE FILTER!**
- If the room where the cooker hood is to be used contains a fuel burning appliance such as a central heating boiler then its flue must be of the sealed or balanced flue type.
- If other types of flue or appliances are fitted, ensure that there is an adequate supply of air in the room.
- When the hood is being used in extraction mode, then ensure that the ducting is fire retardant and that there are no bends sharper than 90 degrees as this will reduce the efficiency of the hood.
- Ensure that the ducting used in extraction mode has the same diameter as the outlet hole all the way through.

- Keep young children from using, playing with or tampering with the cooker hood. Older children and infirm persons should be supervised if they are using the cooker hood.



- Your cooker hood is for domestic use only.

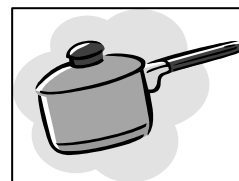


- Please dispose of the packing material carefully – children are especially vulnerable to it.

- Dirty oil is an even greater fire risk.



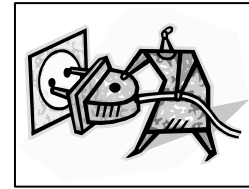
- Always put lids on pots and pans when cooking on a gas cooker.



- The manufacturer refuses to accept any responsibility for damages arising to the cooker hood or your property from a failure to observe the fire safety advice contained in this instruction booklet.

- Remember that when in extraction mode, your cooker hood is removing air from the room it is installed in. Ensure that proper ventilation measures are being observed. **Note that it removes odours from the room, not steam.**

- **Warning - Always ensure that the cooker hood has been disconnected from the power supply before carrying out any work on the hood, including cleaning and replacing light bulbs.**



- Do not connect the ducting system of this appliance to any existing ventilation system which is being used for any other purpose.
- Do not install the appliance above a cooker with a high level grill.

- Never leave frying pans unattended during use as overheated fats and oils might catch fire.



- Never flambé cook under this cooker hood.
- The cooker hood should not be exposed to a direct heat source from the cooking device underneath it, i.e. a naked flame from a gas burner or heat from electric hob zones without a pan on them.
- Do not attempt to use the cooker hood if it is damaged in any way. Never attempt to use it without the grease filter fitted or if the filter is excessively greasy!
- The lights on this appliance should only be used during operation of the cooker hood. They should not be left on permanently and used as a lighting source.

THE MANUFACTURER DECLINES ALL RESPONSIBILITY IN THE EVENT OF FAILURE TO OBSERVE THE INSTRUCTIONS GIVEN HERE, FOR INSTALLATION, MAINTENANCE AND SUITABLE USE OF THE HOOD.



Specifications of your cooker hood

Congratulations on purchasing a Baumatic Cooker Hood!

PRODUCT DIMENSIONS:

	PI1SS
Height (mm)	873 - 1443
Width (mm)	400
Depth (mm)	400
Chimney dimensions (mm)	400 x 400

Your cooker hood is fitted with:

- High extraction tangential motor
- Touch control operation
- 4 Speeds
- Stainless steel grease filter
- 4 Halogen lights

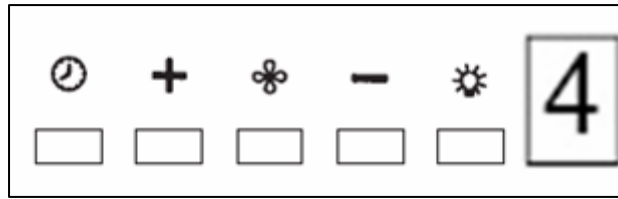
Extraction capacity: 800 m³/hr

Optional Extra: 1 x SCS13 pair of carbon filters for air recirculation mode

Using your Baumatic cooker hood

The control panel

- Make sure that it has been installed by a suitably qualified person, as per the information contained in Baumatic's installation instructions.
- Find the control panel, which is located at the front of the cooker hood.
- There are several buttons on the control panel, which perform separate functions.



 (Timer button)

 (Increase speed)

 (On/off button)

 (Decrease speed)

 (Light ON/OFF button)

 (LCD display)



IMPORTANT: IDEALLY YOU SHOULD TURN ON YOUR HOOD TEN MINUTES BEFORE YOU START TO COOK, OR AT THE VERY LEAST WHEN YOU BEGIN COOKING. YOU SHOULD ALSO RUN YOUR HOOD FOR TEN MINUTES AFTER YOU HAVE FINISHED COOKING.

Controlling your cooker hood

- Use the ON/OFF button to switch the cooker hood on.
- Use the plus and minus buttons to regulate the speed that the motor is running at.
- The speed level that you have selected will appear on the LCD display.
- To switch the cooker hood off, press the ON/OFF button again.

The timer button

- If you press the timer button whilst the cooker hood is in operation, then it will countdown for 15 minutes.
- During the countdown the light around the timer button will flash.
- When the countdown has finished the cooker hood will switch off.
- If you press the timer button again during the countdown, the light around the timer button will go out and the cooker hood will return to normal operation.

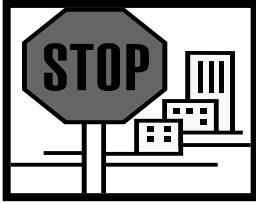
Grease filter maintenance reminder

- After approximately 30 hours of operation, the timer button will glow red. This means that the grease filter needs to be cleaned.
- You should follow the grease filter cleaning operation that is outlined on pages 11-12 of this instruction booklet.
- When the grease filter has been put back in position, turn on the hood and then hold down the timer button until the red light goes out.
- Turn the hood off and then back on again, to check that the alarm has been reset.
- **IMPORTANT:** The grease filter should be cleaned at the time intervals suggested on page 11. You should not wait until the maintenance alarm activates before cleaning the grease filter.



IMPORTANT: TO MAINTAIN THE CORRECT FUNCTIONING OF THE CONTROL PANEL, WE RECOMMEND THAT YOU REGULARLY CLEAN THIS AREA.

Cleaning your Baumatic cooker hood



IMPORTANT: BEFORE CLEANING, ALWAYS ENSURE THAT YOU HAVE SWITCHED YOUR COOKER HOOD OFF AT THE OMNI-POLAR SWITCH, SET AT THE WALL FROM THE CABLE.

Cleaning

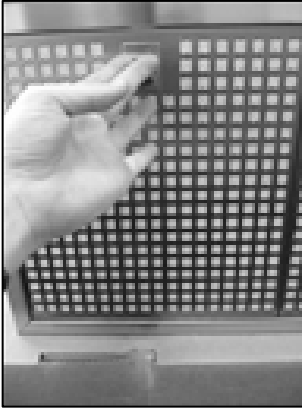
- Clean the external parts of your cooker hood with mild liquid detergent and a new damp cloth.
- Never use abrasive powder, corrosive solvents or brushes.
- Never insert pointed objects into the motor's protective grid.
- Only clean the control panel and grease filter grill with mild liquid detergents and a new damp cloth.
- If you are using the appliance in recirculation mode, then be sure to replace the carbon filters at the recommended interval (see section on "Fitting the carbon filter"). A build up of grease could cause a fire hazard.
- Never attempt to clean the area above the grease filter.

The grease filter

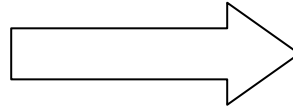
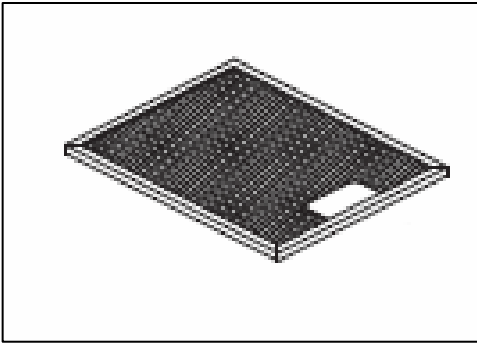
- Your cooker hood includes a grease filter which helps to absorb grease particles to protect your kitchen & furniture from greasy residues.
- This metallic filter may become flammable if it becomes saturated with this greasy residue.
- To prevent this fire hazard, the filter should be cleaned regularly. Depending on use, this should be done every 10-15 days or at least once a month, using hot water and normal washing-up detergent.
- **DO NOT WASH THE GREASE FILTER IN A DISHWASHER.**

Maintenance

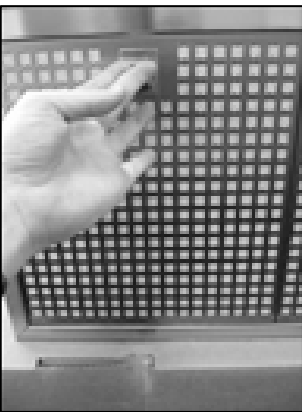
Removing and cleaning the grease filter



- Open the cover screen.
- Remove the grease filter by lifting up the catch and then pulling the filter away from the hood.



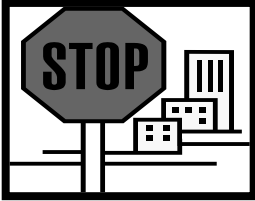
- Soak the grease filter in hot water and washing up liquid for about an hour.
- Rinse it off thoroughly with hot water.
- Repeat the process if required.



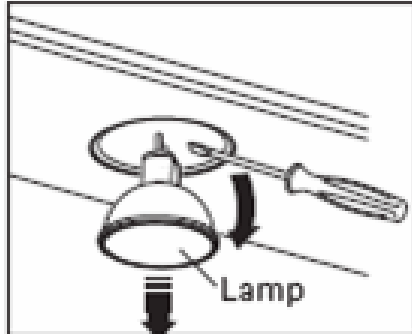
- Refit the grease filter once it has dried.
- Close the cover screen.

- **IMPORTANT: Let the grease filter dry thoroughly before refitting it in the cooker hood.**

Changing a light bulb



IMPORTANT: BEFORE ATTEMPTING TO CHANGE A LIGHT BULB, YOU MUST ENSURE THAT YOU HAVE DISCONNECTED THE COOKER HOOD FROM YOUR MAINS SUPPLY.



- Prior to touching the light bulbs ensure they are cooled down.
- Find the bulb that requires replacement.

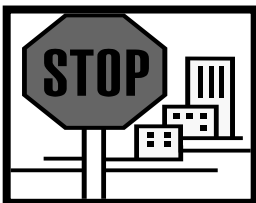


- Using a flat tipped screwdriver, remove the bulb and insert a new GU4 12V 20W (max) bulb.

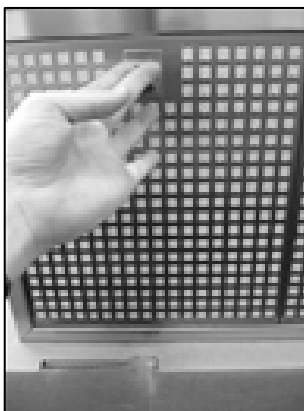
- **IMPORTANT:** Defective bulbs should be replaced immediately.
- If the light or lights still do not work, make sure that the bulbs are fitted properly into their housings before you call for technical assistance.

Fitting the carbon filters

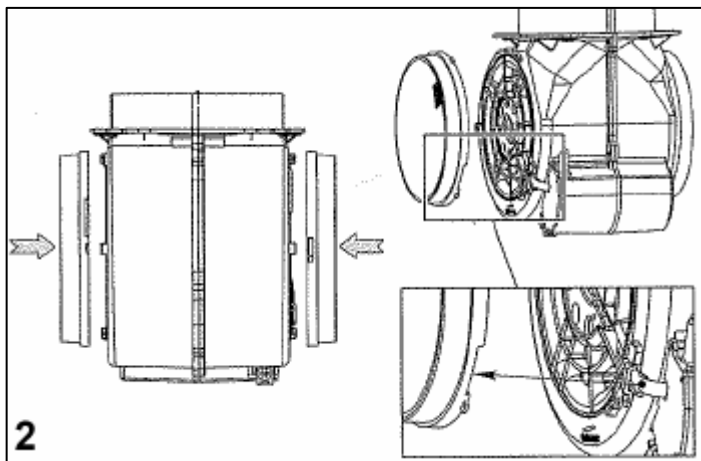
If the appliance is going to be used in recirculation mode then it is necessary to fit a pair of carbon filters. This will help to absorb unpleasant odours caused by cooking.



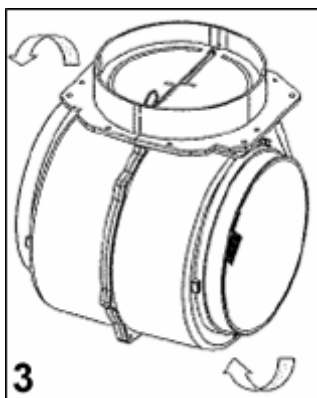
IMPORTANT: BEFORE ATTEMPTING TO FIT OR REMOVE THE CARBON FILTERS, YOU MUST ENSURE THAT YOU HAVE DISCONNECTED THE COOKER HOOD FROM YOUR MAINS SUPPLY.



- Open the cover screen.
- Remove the grease filter by lifting up the catch and then pulling the filter away from the hood.



2) Place a carbon filter at both sides of the motor. You should make sure that the cut out in the rim of the carbon filter, lines up with the lug on the motor.

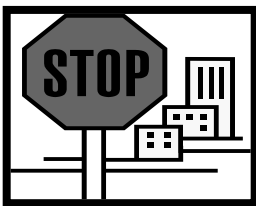


3) Turn each of the carbon filters clockwise until they lock securely into place.

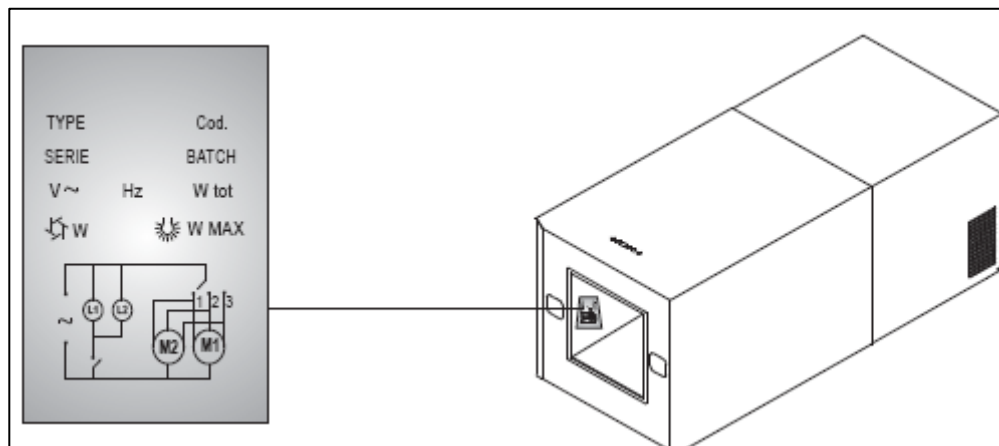
- Refit the grease filter and close the cover screen.

- The carbon filters should be replaced every three months or if they show signs of damage.

Installation



IMPORTANT: Before installation and usage read all the instructions and make sure that the voltage (V) and the frequency (Hz) indicated on the rating plate are exactly the same as the voltage and frequency of your home. The rating plate can be found behind the grease filter, on the motor.



The manufacturer declines all responsibility in the event of the installer failing to observe all the accident prevention regulations in force, which are necessary for the normal use and the regular operation of the electric system.

Electrical connection

YOUR COOKER HOOD IS INTENDED FOR FITTED AND PERMANENT INSTALLATION.



- The cooker hood's power cable must be fitted upstream from the electrical connection, using an omni-polar switch with a contact distance of at least 3 mm.

WARNING: THIS APPLIANCE MUST BE EARTHED. It should only be connected by a competent person, using fixed wiring via a double pole switched fused spur outlet. **(UK ONLY).**

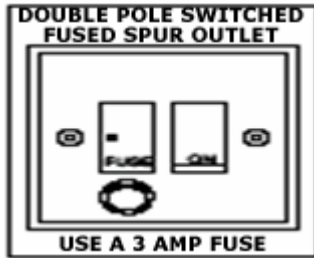


We recommend that the appliance is connected by a qualified electrician, who is a member of the N.I.C.E.I.C. and who will comply with the I.E.E. and local regulations. The wires in the mains lead are coloured in accordance with the following UK code:

Blue = Neutral, Brown = Live, Green/Yellow = Ground

If you only find two wires in the main's lead (blue and brown), then neither must be connected to the earth terminal.

- As the colour of the wires in the appliance's mains lead may not correspond with the coloured markings identifying the terminals in your spur box, please proceed as follows:



- The **blue wire** must be connected to the terminal marked "N" (neutral), or coloured **black**.
- The **brown wire** must be connected to the terminal marked "L" (live), or coloured **red**.

Before beginning installation

- Check that the product purchased is of a suitable size for the chosen installation area. In addition check whether there is an electrical socket available that will be accessible once the hood is mounted. If the product is going to be used in extraction mode, then there should also be space to connect a ducting hose to the outside.
- Carry out all necessary masonry work prior to the fitting of the cooker hood.
- Ensure that all electrical connections are carried out by a suitably qualified person.
- Before commencing installation of the cooker hood the grease filter should be removed.
- Check inside the product and ensure that there is no transit packaging or any other materials, such as packets of screws, guarantees etc. These should be removed and kept for future use.
- If possible, disconnect and move freestanding or slot-in cookers from their position, to provide easier access to the ceiling. If this is not possible, then a thick, protective covering should be placed over the worktop, hob top or cooker. This will help to protect these surfaces from damage and debris.
- Select a flat surface for assembling the cooker hood. Cover that surface with a protective covering and place all cooker hood parts and fittings on it.
- Rawlplugs are provided to secure the hood to most types of ceilings. However a qualified technician must verify the suitability of the materials, in accordance with the type of ceiling. The ceiling must be strong enough to take the weight of the hood.

- Do not tile, grout or silicone this appliance to the ceiling. This appliance is designed to be surface mounted only.
- Remove any protective wrapping that has been put on the cooker hood or chimney sections, to protect them during transit.

Extraction mode or recirculation mode?



IMPORTANT: YOU WILL HAVE TO DECIDE BEFORE INSTALLING YOUR COOKER HOOD WHETHER TO USE IT IN EXTRACTION MODE OR RECIRCULATION MODE.

What is the difference between extraction and recirculation modes?

In extraction mode, the stale air will be taken out of the room via external ducting.

In recirculation mode stale air is taken via the grease filter, and passed through a charcoal filter for purification. The air then re-enters the kitchen via an opening in the hood.

For optimum performance, we recommend that the cooker hood is used in extraction mode and connected to external ducting.

Unfortunately if you live in a flat or the hood is too far from an outside wall, this may not be possible. The only alternative is to recirculate the air.

Do I need a charcoal filter?

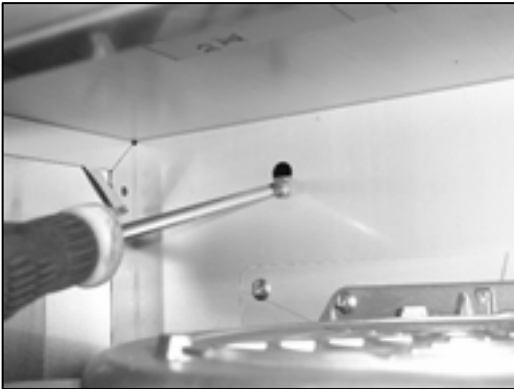
All cooker hoods have a grease filter but if you are using your cooker hood in recirculation mode, then a charcoal filters must be fitted in addition to the grease filter.

Installing your cooker hood

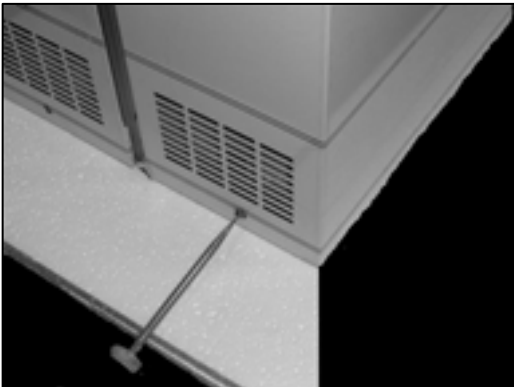
- We recommend that at least two people install this hood.

IMPORTANT: THE MAINS SUPPLY THAT YOUR COOKER HOOD IS CONNECTED TO, MUST NOT BE SWITCHED ON UNTIL AFTER THE REST OF THE INSTALLATION PROCESS HAS BEEN COMPLETED.

- 1)** Reach inside of the appliance, remove the tape that secures the power cable to the framework and release it.
- 2)** Turn the hood upside down, so that the bulbs are facing upwards.
 - Open the cover screen.
 - Remove the grease filter by pulling down on the latch and pulling it away from the hood.

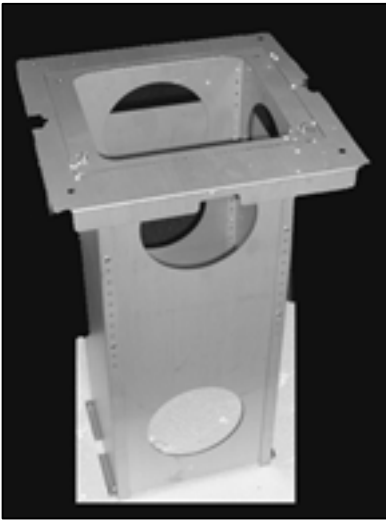


- 3)** From inside of the motor housing, undo the four screws that hold the framework in position.

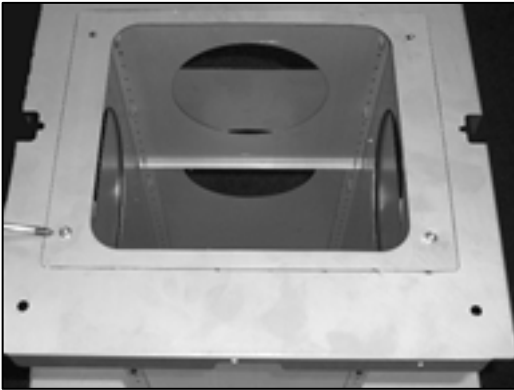


- 4)** As shown in the picture, remove the four screws which hold the inner chimney section to the upper plate.

- 5)** Dislocate the cooker hood from the framework by lifting the hood clear of the framework.

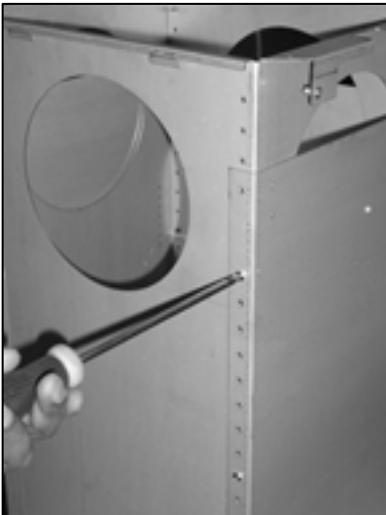


6) Turn the framework upside down (see picture), so that the upper plate is pointing upwards.



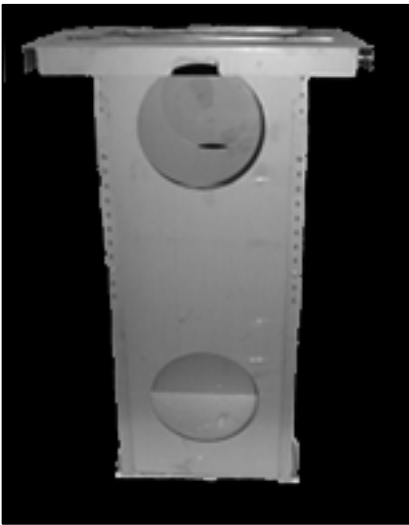
7) Remove the two nuts and bolts that hold the upper plate to the framework.

8a) If necessary adjust the height of the framework to the correct height for your particular installation. **IMPORTANT:** You must keep in mind the height of the hood and the minimum distance that the bottom of the hood can be from the hob top below.

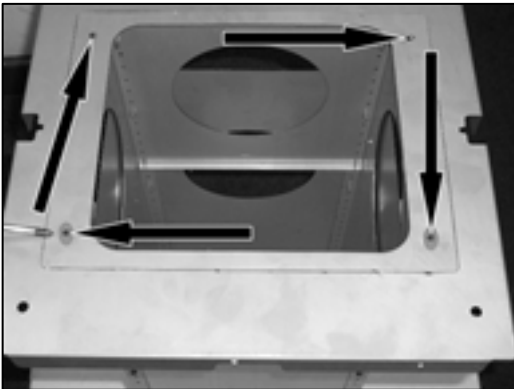


8b) To make an adjustment to the height of the framework, unscrew the 8 screws that hold it in place, lift the framework to your required height and refix the 8 screws into the framework.

IMPORTANT: These screws must be fully retightened.



9) Lift the framework against the ceiling. The side of the framework shown in the photograph, is the side that the control panel will be on when the cooker hood is connected to the framework.



10) Mark the position of the four screw holes in the framework on the ceiling. The positions of the holes are indicated by the four arrows in the photograph.

- Remove the framework from the ceiling.

- Using a drill bit with an 8 mm diameter, drill out the holes that you have just marked and insert rawlplugs into them.
- **IMPORTANT:** If you are going to connect the cooker hood to external ducting, if you have not done so already, then you must make a hole for the ducting hose to connect to at this point.

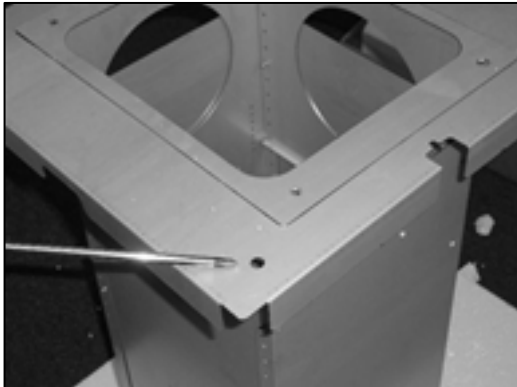
(See the "Connecting to external ducting" section on page 23 for further information regarding the size of the hole that should be made).



11) IMPORTANT: Do not reinsert the nuts and bolts that you removed from the upper plate in step 7.

- Place the upper plate back onto the framework. You should make sure that the screw holes in the upper plate are in the position shown in the photograph.

- Fix the whole assembly to the ceiling by tightening screws through the framework, into the holes that you made in step 10.
- **You must make sure that these screws are fully tightened.**



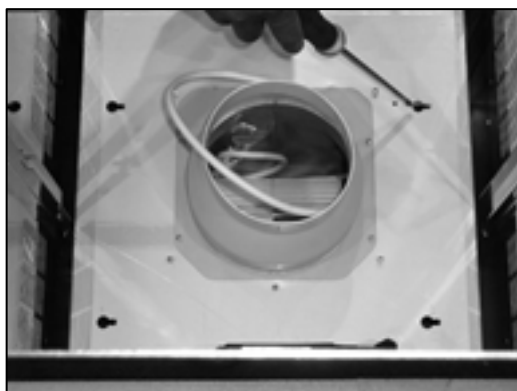
12) To reinforce the upper plate, you should drill into the ceiling, through the holes on each corner of the upper plate. The position of one of these screw holes is shown in the photograph. You should use an 8 mm diameter drill bit.

- Insert a rawlplug into each hole.
- Fix the upper plate to the ceiling using screws. **You must ensure that these screws are fully tightened.**

IMPORTANT: If you are going to connect your cooker hood to external ducting, then you must complete the steps listed in the “Connecting to external ducting” section before carrying on with the rest of the installation (this section can be found on page 23).

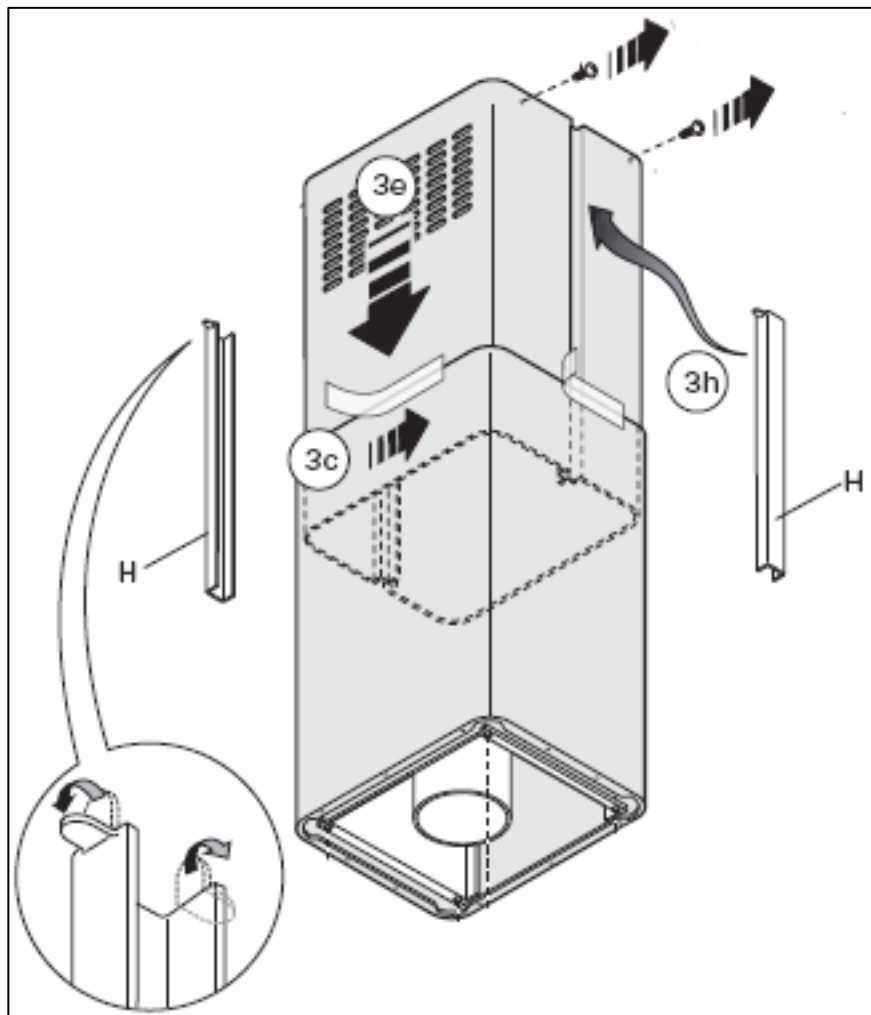
13) Lift the cooker hood towards the framework. One person should support the hood from underneath, whilst the power cable is connected as described in the electrical connection information on pages 15 – 16.

IMPORTANT: THE POWER SUPPLY MUST NOT BE SWITCHED ON AT THIS STAGE IN THE INSTALLATION.



14) Lift the cooker hood fully over the framework, locating the framework into the screw holes shown in the picture.

- Once the framework is sitting in the holes, secure the cooker hood to the framework by reinserting and tightening the screws that you removed in step 3.
- **IMPORTANT:** You must make sure that these screws are fully tightened.



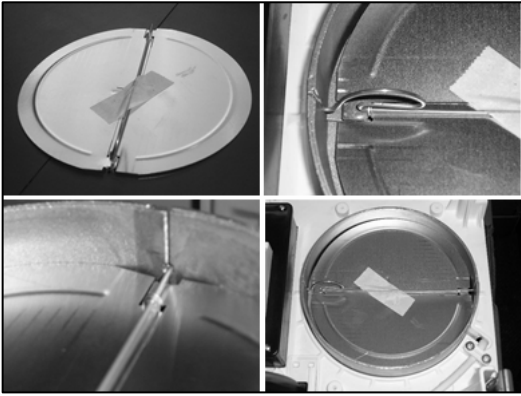
15) If required, raise the inner chimney section to the ceiling.

- There are two decorative side pieces (**H**) that should be used to cover the grooves in the inner chimney section.
- Use an appropriate tool to cut the decorative side pieces to your required length. The length of the side pieces will be governed by how high you need to raise the inner chimney section.
- Slide the decorative side pieces into the grooves on each side of the inner chimney section.
- Bend down the hooks at the top of the decorative side pieces so that they sit over the top of each groove.

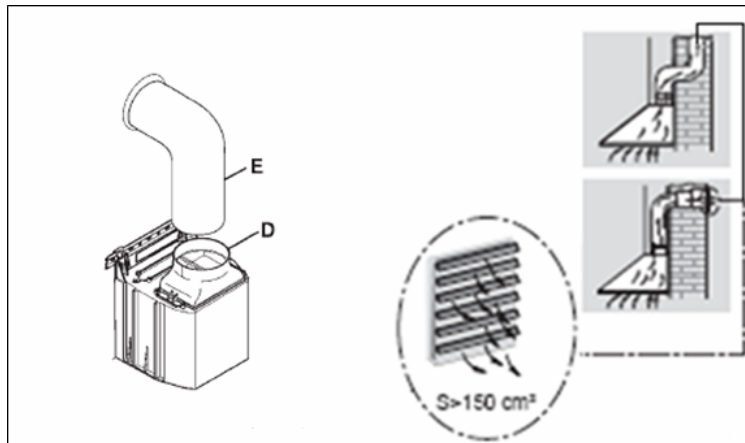
16) If you have raised the inner chimney section, you should secure it to the upper plate using the screws that you removed in step 4.

- **IMPORTANT:** You should make sure that the screws are fully tightened.

Connecting to external ducting



- You may find an anti-draft flap included with the fixtures and fittings for the cooker hood. If you are going to duct the product externally, you should fit this as shown in the circular hole on top of the motor.



- Connect the coupling (**D**) to the top of the cooker hood.
- Connect a 125 mm ducting hose to a discharge outlet that is suitable for cooking vapours. It should have a cross section of at least 150 cm² (please note that the ducting hose is not supplied with the appliance but is available from the Baumatic Spares Department).
- The maximum distance between the coupling and your discharge outlet can be upto 3 metres long, with one 90 degree bend.
- Before fixing the cooker hood to the framework, you should connect the other end of the ducting hose to the coupling in the top of the cooker hood.

Completing the installation



The electrical connection should have already been completed as per the electrical connection information on pages 15 – 16. At this stage you can now switch on your mains supply.

Refit the grease filter and close the cover screen, then press the ON/OFF button and check that the appliance is operating correctly on each speed.

Troubleshooting

IMPORTANT: If your cooker hood appears not to be operating properly, before contacting the Baumatic Service Department, please refer to the checklist below.



My cooker hood will not start.

- Check that the hood is connected to the power supply and whether you have selected any of the fan speeds.



My cooker hood is not working effectively.

- Check that fan speed is set to an appropriate setting.
- Check that the grease filter is not dirty and if it requires cleaning.
- If the hood is set up for recirculation mode, check that the carbon filters do not need to be replaced.
- If the hood is set up for extraction mode, check that the ducting hose and discharge outlet are not blocked.



My cooker hood is noisy and/or vibrating.

- Check whether the installation has been completed as per the instruction booklet.
- It is normal to get a certain amount of noise and vibration, due to the extraction capacity of the cooker hood.

DO NOT MAKE ANY ATTEMPT TO REPAIR THE APPLIANCE YOURSELF. IF THE APPLIANCE IS STILL NOT OPERATING CORRECTLY, PLEASE CONTACT THE BAUMATIC SERVICE DEPARTMENT ON TELEPHONE NUMBER (0118) 933 6911.

Baumatic Ltd. Conditions of guarantee

Dear Customer,

Your new Baumatic appliance comes complete with a free 12 month guarantee covering both parts and labour costs resulting from defective materials or workmanship.

Baumatic also gives you the opportunity to automatically extend the guarantee period for a further 12 months at no extra cost, giving an initial guarantee period of 24 months. The extended guarantee period applies to England, Scotland, Wales and Northern Ireland only.

To qualify for your full 24 months guarantee you **must** register your appliance within 28 days of purchase to be covered under this guarantee. This can be done online via: www.baumatic.co.uk or through returning the guarantee card which can be found in each new Baumatic appliance.

* In addition, your appliance is covered by a 5 year parts warranty. Baumatic Ltd will provide free of charge the parts required to repair the appliance, only if they are fitted by a Baumatic engineer, for any defect that arises due to faulty materials or workmanship within a period of 5 years from the original purchase date.

* An additional 1 to 3 year insurance scheme for labour is available should you wish to extend the warranty period.

Should any person other than an authorised representative of Baumatic Ltd interfere with the appliance, the policy is negated and Baumatic Ltd will be under no further liability.

The guarantee covers the appliance for normal domestic use only, unless otherwise stated.

Any claims made under the terms of the guarantee must be supported by the original invoice/bill of sale issued at the time of purchase.

This guarantee is transferable only with the written consent of Baumatic Ltd.

If the appliance fails and is considered either not repairable or uneconomical to repair between 12 months (2 years if registered) and five years, a free of charge replacement will not be offered.

The guarantee for any replacement will only be for the remainder of the guarantee on the original product purchased.

The guarantee does not cover:

- Sinks and taps
- Failure to comply with the manufacturers instructions for use.
- The replacement of cosmetic components of accessories
- Accidental damage or wilful abuse.
- Subsequent loss or damage owing to the failure of the appliance or electrical supply
- Incorrect installation
- Losses caused by Acts of God, civil war, failure to obtain spare parts, strikes or lockouts
- Filters, fuses, light bulbs, external hoses, damage to bodywork, paintwork, plastic items, covers, baskets, trays, shelves, burner bases, burner caps, decals, corrosion, rubber seals.

In the course of the work carried out it may be necessary to remove the appliance from it operating position. Whilst all reasonable care will be taken, Baumatic Ltd cannot accept responsibility for damage sustained to any property whatsoever in this process.

This guarantee is in addition to and does not diminish your statutory or legal rights.

Contacting Baumatic Ltd

Sales	Service	Spares	Technical/Advice
TEL: 0118 933 6900	TEL: 0118 933 6911	TEL: 0118 933 6922	0118 933 6933
FAX: 0118 931 0035	FAX: 0118 986 9124	FAX: 0118 933 6942	0118 933 6942

For ROI (Republic of Ireland), please contact one of the numbers below:

TEL: 01 – 6266798 FAX: 01 - 6266634

Thanks you for buying Baumatic.

* Applies to UK, Scotland, Wales & Northern Ireland only (Republic of Ireland has 1 year labour & 1 year parts warranty only)



You will be mine ...

Headquarters

Baumatic Ltd.
Baumatic Buildings,
6 Bennet Road,
Reading,
Berkshire
RG2 0QX, United Kingdom

Sales Telephone
+44 118 933 6900

Sales Fax
+44 118 931 0035

Service Telephone
+44 118 933 6911

Service Fax
+44 118 986 9124

Spares Telephone
+44 118 933 6922

Technical / Advice Telephone
+44 118 933 6933

E-mail:

sales@baumatic.co.uk

technical@baumatic.co.uk

Website

<http://www.baumatic.com>



Baumatic®

www.baumatic.com