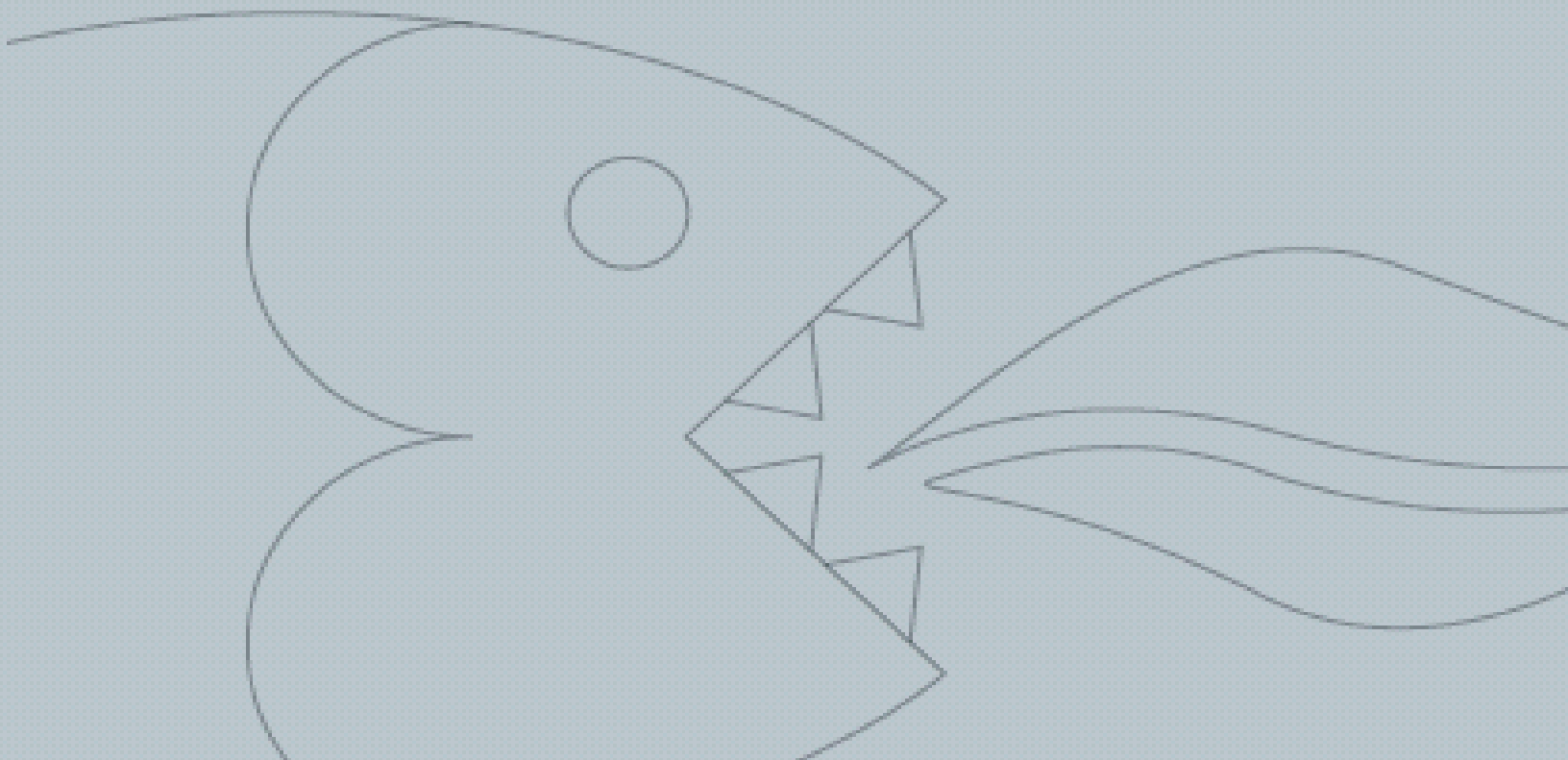


**BFW440 dual
temperature
electronic wine cooler**

Instruction manual



USER MANUAL FOR YOUR BAUMATIC

BFW440

44 Bottle dual temperature electronic wine cooler



You will be mine ...

NOTE: This User Instruction Manual contains important information, including safety & installation points, which will enable you to get the most out of your appliance. Please keep it in a safe place so that it is easily available for future reference, for you or any person not familiar with the operation of the appliance.

DD 29/02/08


Contents

Environmental note	4
Important safety information	5 – 6
Specifications of your wine cooler	7
Description of the appliance	8
Control panel	8
Description of the product features	9-10
Using your Baumatic wine cooler	10-13
Before switching on	10-11
During first use	11
Switching on the appliance and setting the temperature	11-12
Changing between Fahrenheit and Celsius	12
Interior lights	12
Locking and unlocking the control panel	13
Stand-by mode	13
Storing your wines	13-14
Wine storage problems	15
Cleaning and maintenance	16
Defrosting	17
Installation	17-19
Electrical connection	17-18
Positioning	18-19
Built-in installation	19
Troubleshooting	20-21
Contact details	22

Environmental note

Note: Before discarding an old appliance, switch off and disconnect it from the power supply. Cut off and render any plug useless. Cut the cable off directly behind the appliance to prevent misuse. This should be undertaken by a competent person. Disable the door lock to make sure that children cannot get stuck inside the appliance.

This appliance is marked according to the European directive 2002/96/EC on Waste electrical and Electronic Equipment (WEEE). By ensuring this product is disposed of correctly, you will help prevent potential negative consequences for the environment and human health, which could otherwise be caused by inappropriate waste handling of this product.

The symbol  on the product, or on the documents accompanying the product, indicates that this appliance may not be treated as household waste. Instead it shall be handed over to the applicable collection point for the recycling of electrical and electronic equipment.

Disposal must be carried out in accordance with local environmental regulations for waste disposal.

For more detailed information about treatment, recovery and recycling of this product, please contact your local city office, your household waste disposal service or the shop where you purchased the product.

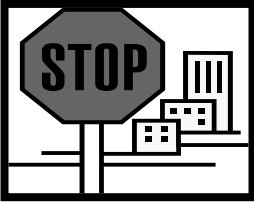


- The packaging materials that Baumatic uses are environmentally friendly and can be recycled.
- Please discard all packaging material with due regard for the environment.

Important safety information



Your safety is of the utmost importance to Baumatic. Please make sure that you read this instruction booklet **before** attempting to install or use the appliance. If you are unsure of any of the information contained in this booklet, please contact the Baumatic Technical Department.



IMPORTANT: Any installation work must be carried out by a qualified electrician or competent person.

Use of the appliance

- Your appliance is only designed to be used in the home. It is suitable for storing and chilling wine. NO food stuffs must be stored in the appliance. If it is used for any other purpose or it is not used correctly, then Baumatic Ltd. will accept no liability for any damage that is caused.



- Altering the specification of the appliance must not be attempted for reasons of safety.

Before using your appliance

- Check the appliance for any signs of transport damage. If you notice any damage, then you should not connect your appliance to your mains supply and should contact your retailer.

Refrigerant

- Your appliance contains R600a refrigerant, which is a natural gas that does not contain CFCs that can damage the environment. However it is a flammable substance, therefore care should be taken:
 - During the transportation and installation of the appliance, make sure that the refrigeration pipework does not get damaged.
 - If it does become damaged then sources of ignition and open flames should be avoided. Also the room that the appliance is situated in should be thoroughly ventilated.

- Do not place any objects on top of the appliance, as this may damage the table top.



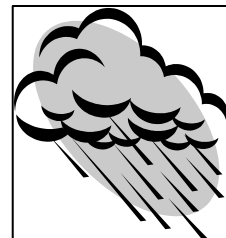
Child safety

- Packaging material should be kept away from children.
- Children should not be allowed to touch the controls or play with the appliance.



General safety

- Do not pull on the power supply cable to remove the plug from your mains supply socket.
- Do not pull out or insert the plug with wet hands.
- Do not attempt to use your appliance outdoors or any place where it is likely to come into contact with the elements.
- Before cleaning the appliance or performing maintenance work, ensure that the appliance has been disconnected from your mains supply.



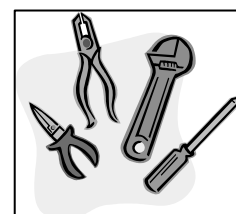
- Never allow the back coils of the appliance to come into contact with the wall surface.
- Always ensure that the location where you are installing your appliance is free of stored items such as papers and other flammable materials.
- Never block the ventilation openings of the appliance, either on the inside or its exterior.
- It is vital to keep your appliance well ventilated, so that there is proper air flow between the bottom of the unit and the plinth/kick plate which it is sitting on.



- Do not place electrical devices inside of the appliance, such as mixers or ice cream makers.

Service

You should not attempt to repair the appliance yourself, as this could cause injury or a more serious malfunction. If you require a service call then please contact the Baumatic Service Department.



Specifications of your wine cooler

Congratulations on purchasing a Baumatic wine cooler

- Gross capacity: 171 litres
- Net capacity: 155 litres
- Bottle capacity: 44 x 0.75 litre wine bottles
- Electronic touch control with LED display
- 2 individual temperature zones
- Temperature shown in Celsius or Fahrenheit
- Drain hose and auto evaporated water tray
- Interior light
- 6 waved chrome shelves (4 adjustable and 2 fixed)
- Adjustable feet
- Stainless steel door frame
- Black interior and exterior
- Ability to be built in

Dimensions of appliance

Height: 870 mm
Width: 595 mm
Depth: 578 mm (excluding handle)

* Please refer to the installation instructions for more specific information on the size of aperture that you will require.

IMPORTANT: When you install your appliance it is important to bear in mind its climatic rating.

In order to find out the climatic rating of your appliance, you should check the rating plate. The rating plate is located on the rear of the appliance. The rating plate will indicate the ambient temperature range that your appliance will function correctly within.

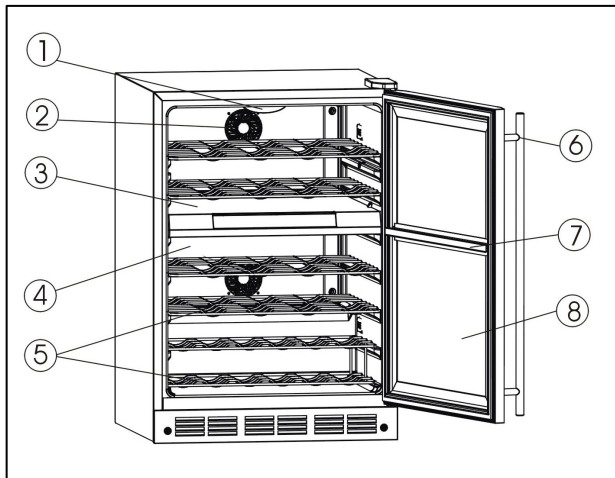
It is also advisable to make a note of the model number and the serial number of the appliance before installing the appliance.

Model number

Serial number

Date of purchase

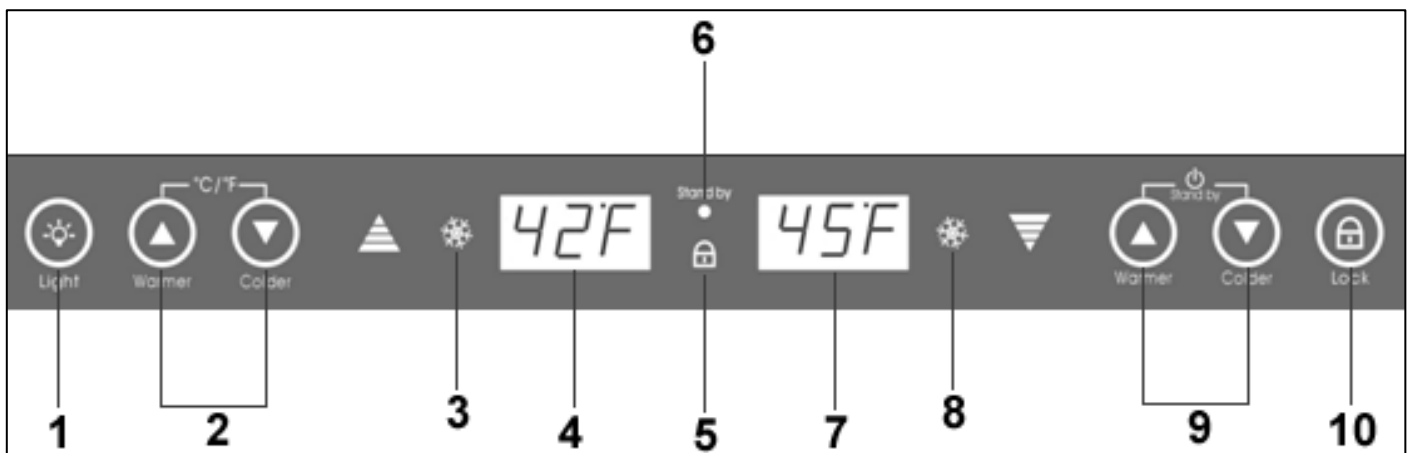
Description of the appliance



- 1) Interior light
- 2) Electric fan
- 3) Cooling zone partition
- 4) Rear wall
- 5) Wire shelf
- 6) Door handle
- 7) Cooling zone partition gasket
- 8) Glass door

Control panel

The control panel is located on the front of the glass door.



- 1) Light on/off button
- 2) Upper zone temperature buttons
- 3) Upper fan neon
- 4) Upper zone temperature display
- 5) Control panel lock neon
- 6) Stand-by neon
- 7) Lower zone temperature display
- 8) Lower fan neon
- 9) Lower zone temperature buttons
- 10) Control panel lock on/off button

Description of the product features

1) Control panel

- The touch control panel is located on the front of the glass door, which means it is easy to set the temperature of the appliance and see what temperature each zone is set to.

2) Two cooling zones

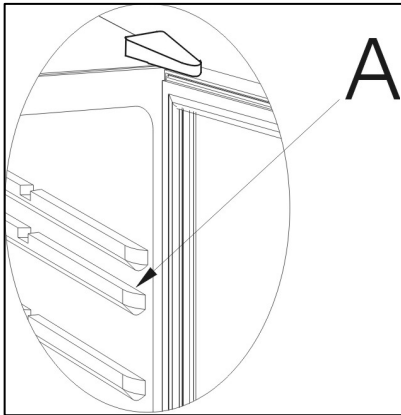
- There are two cooling zones inside of your wine cooler; they are separated by a partition.
- Each cooling zone has an independent temperature control and temperature display.
- The upper cooling zone can hold up to 16 x 0.75 litre bottles.
- The lower cooling zone can hold up to 28 x 0.75 litre bottles.

3) Interior light

- Each cooling zone has its own interior light. The lights can be switched on and off by using the light on/off button.

4) Upper cooling zone

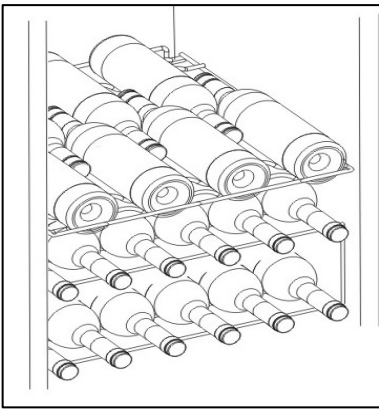
- There are two full depth shelves in the upper zone. Each shelf can hold up to 8 bottles, with the bottle necks alternating front to back.



- You should not place a shelf in the second supporting guide slot (see diagram opposite).

5) Lower cooling zone

- There are two full depth shelves in the lower zone. Each shelf can hold up to 8 bottles, with the bottle necks alternating front to back.



- The bottom rack in the lower zone consists of two levels; each level can hold up to 6 bottles.

6) The wine cooler shelves

- All of the full depth shelves have tabs that lock into both sides of the cabinet of the wine cooler.
- Any of the shelves can be removed, to accommodate larger bottles of wine.

Removing a shelf

- Remove all of the bottles from the shelf that you want to remove.
- Lift the shelf upwards and then gently pull the shelf away from the wine cooler.

Replacing a shelf

- Place the shelf back into a supporting guide slot and push it back until the shelf tabs slide into place.
- **IMPORTANT:** You must not store any bottles on a shelf until the tabs are fully engaged.

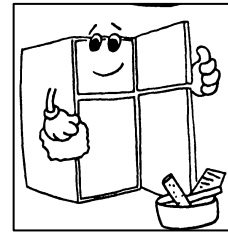
Using your Baumatic wine cooler

Before switching on

- Make sure that it has been installed by a suitably qualified person, as per the information contained in Baumatic's installation instructions.
- After delivery, wait for eight hours before connecting the appliance to your mains supply. This will allow any refrigerant gasses that may have been disturbed during the transportation process to settle.

- The outside of the appliance and the removable accessories contained within it, should be cleaned with a solution of liquid detergent and water.

- The interior of the appliance should be cleaned with a solution of sodium bicarbonate dissolved in lukewarm water. The interior and accessories should be thoroughly dried, after the cleaning process has been completed.

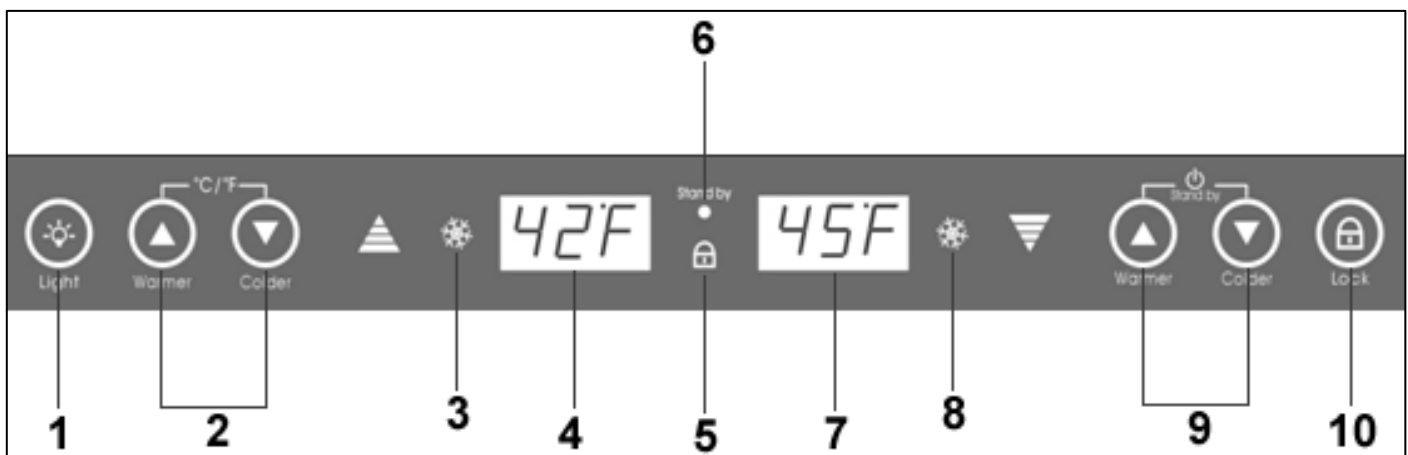


- There can be an odour when you first switch on the appliance. It will lessen as the appliance starts to cool.

During first use

- When you first switch on the appliance, the compressor will run continuously until the wine cooler reaches a cool enough temperature.
- During this period of time, you should try not to open the door frequently or place bottles inside of the appliance.
- If the unit is switched off or unplugged, you must allow at least 5 minutes before restarting the appliance or reconnecting it to your mains supply.

Switching on the appliance and setting the temperature



- When the appliance is connected to your mains supply, all of the display indicators will light for approximately 3 seconds, there will be a beeping sound as well.
- Use the upper zone temperature buttons **(2)** to set the temperature in the upper zone.
- Use the lower zone temperature buttons **(9)** to set the temperature in the lower zone.

- Each time you press either the ▲ or ▼ button, the temperature of a particular zone will adjust by one degree. If you press and hold down either the ▲ or ▼ button, the temperature will adjust by one degree every half a second.
- The ▲ button will increase the temperature of a zone. The ▼ button will decrease the temperature of a zone.
- Whilst you are setting the temperature of a zone, the corresponding temperature display will flash. When you stop pressing the temperature buttons, after 3 seconds the display will stop flashing and the temperature of the zone will be set.
- The display will then show the temperature that is currently being registered by the cooling zone.
- The upper fan neon **(3)** and lower fan neon **(8)** will light periodically to show that the fans inside of the wine cooler are operating.

Changing between Fahrenheit and Celsius

- You can set the displays to show either Fahrenheit or Celsius. To switch between Fahrenheit and Celsius, you need to use the zone temperature buttons.
- Press the ▲ and ▼ buttons of the display that you want to change. If you hold down the buttons for approximately 3 seconds, the display will change from Fahrenheit to Celsius or vice versa.
- If you alter one display, then it will not change the other display, so you will need to follow the above procedure for the upper and the lower display.
- You cannot change the display if you are in the process of adjusting the temperature of a cooling zone (i.e. the displays are flashing).

Interior lights

- To operate the interior lights, you should use the light on/off button **(1)**.
- You cannot operate the interior lights if you are in the process of adjusting the temperature of a cooling zone (i.e. the displays are flashing).

Locking and unlocking the control panel

- If no button on the display panel is pressed for one minute, then all of the buttons will lock automatically, apart from the control panel lock on/off button **(10)**.
- The control panel lock neon **(5)** on the display will light.
- If you press any button on the display, the control panel lock neon **(5)** will flash to remind you that the control panel is locked.
- To unlock the control panel, press and hold down the control panel lock on/off button **(10)** for three seconds, until the control panel lock neon **(5)** goes out.

Stand-by mode

- Once you have made any necessary adjustments to the temperature of each zone, then it is possible to put your wine cooler into stand-by mode.
- Press both of the lower zone temperature buttons **(9)** simultaneously and hold them down for three seconds. The stand-by neon **(6)** will light.

Storing your wines

The chart below indicates the ideal storage temperatures for different types of wine:-

Type of wine	Temperature (Celsius)	Temperature (Fahrenheit)
Red wine (*)	15.5 – 18.5°C	59.9 – 65.3°F
White wine (**)	10 – 15°C	50 – 59°F
Sparkling wines/champagne	7.2 – 9.5°C	45 – 49.1°F
Rose wine	9.5 – 10.5°C	49.1 – 50.9°F
Vintage wine	13°C	55°F

* Light red wines, such as Beaujolais, Pinot Noir and Cabernet Franc benefit from being served slightly cooler than full-bodied reds.

** Chardonnay is often served too cold. You should chill it at a warmer temperature inside of your wine cooler. Or leave it to warm slightly when you remove it from your wine cooler.

- Temperature stability is the most important factor when it comes to storing wine.

- Exposure to light, vibrations or fluctuations in temperature and humidity can all cause wine to spoil. When properly stored, wines not only maintain their quality but many will actually improve in aroma, flavour and complexity as they mature.
- Wines kept at a higher temperature will age faster. Wine that is exposed to temperatures that are greater than 21°C (70°F) will suffer from poorer flavour and aroma.
- If wine is kept at too low a temperature, this can result in the development of harmful deposits. A humidity of 70% is ideal for keeping corks from shrinking.
- After a bottle of wine has been opened, the wine comes into contact with air. So it is best to store the remainder of the bottle upright, to minimize the surface area of the wine that is coming into contact with the air.
- Once opened, wine will remain in a drinkable condition for two days for delicate whites or three days for rich reds, as long as the bottle has been resealed. You should make sure that the seal is firm by checking the stopper.
- Special stoppers that keep wine sparkling and Champagne bubbling for one or two days after opening, can be bought at most good wine shops.
- When stored correctly, white wines can keep well for up to two years. Full bodied reds will age well for ten years and dessert wines will age well for up to twenty years.
- When you buy a bottle of wine, you should transfer it to a suitable storage location immediately (if you are not going to store it in your wine cooler).
- Cheaper bottles of wine will not age as well as more expensive ones.
- To make the most of the bouquet and taste of your wine, never fill more than half a glass at a time. It will also help if the shape of your wine glass is appropriate for your wine. The size and shape of your wine glass's bowl will determine the intensity and complexity of the bouquet. The stem should be long enough to allow you to avoid hand contact with the bowl of the glass and should be tulip-shaped or tapered at the top.

Wine storage problems

Corking- a tiny percentage of bottled wine (about 1%) will suffer from this. The cork reacts with the wine and gives it a musty, unpleasant taste. It is the most common wine storage problem and is caused by harmless bacteria growing on the cork. As unfortunate as this is, there is nothing to do but to discard all of the wine in the affected bottle. This is not to be confused with small fragments of cork floating in the wine itself, which will not impair the flavour.

Oxidisation- when wine has been opened and left for longer than a day, it tends to lose its aroma and colour, giving an overall flat taste. The only way to avoid this, is to either drink the wine on the same day it was opened or to use a vacuum device specially designed for removing oxygen from opened wine bottles. If you use such a device, the wine should still be consumed shortly afterwards.

Ullage- this is loss of wine from the bottle by evaporation or leakage. Signs of ullage include wine seeping around the cork, a protruding cork or a stained label. It can happen if the bottle has been allowed to get too warm. The wine may still be drinkable, if the leakage was recent; however, you should be aware that if the wine cools down again, contraction can cause more air to be sucked into the bottle and result in further deterioration.

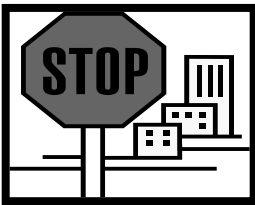
Slight effervescence in still wine- this isn't really a problem with the way the wine has been stored, but as a result of incomplete malolactic fermentation before the wine was bottled. A good way to get rid of the effervescence is to let the wine breathe. Alternatively you can use a bottle vacuum device, after about five minutes the effervescence will vanish.

Sediment- this is not normally a problem, however both red and white wines can produce sediment after a number of months in a bottle. The sediment consists of tartrate crystals and is totally harmless. If anything the building of sediment can be considered a good sign because it means that the wine was not subjected to much (if any) filtering, meaning that the flavours and aromas should be preserved better.

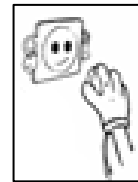
A good way to get around sediment (if it is a problem) is to stand the bottle upright, the day before opening, so that the sediment can settle to the bottom of the bottle.

You can also decant your wine; decanting will "open up" the flavour of both young and old wines, but younger wines in particular. To decant, pour the wine slowly and evenly into your decanter.

Cleaning and maintenance



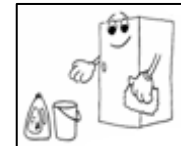
WARNING: PLEASE ENSURE THAT YOUR APPLIANCE IS DISCONNECTED FROM YOUR MAINS SUPPLY BEFORE ATTEMPTING TO CLEAN IT.



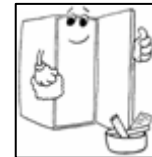
- Do not clean the appliance by pouring water onto it or spraying water over it.



- The interior of the wine cooler should be cleaned periodically, using a solution of bicarbonate of soda and lukewarm water.



- Clean the accessories separately with soap and water. Do not clean them in a dishwasher.



- Do not use abrasive products, detergents or soaps.

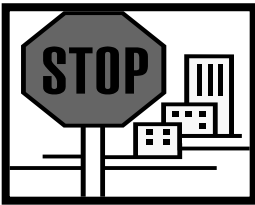


- After washing the appliance, wipe over the area that you have cleaned with a damp cloth and then dry it thoroughly.
- When cleaning is complete, dry your hands and then reconnect the plug to your mains supply.

Defrosting

- Defrosting occurs automatically inside of the wine cooler during operation. The defrost water is collected by the evaporating tray and evaporates automatically.
- The evaporating tray and defrost water drain hole should be cleaned periodically. This will prevent water from collecting in the bottom of the wine cooler, instead of flowing down the defrost drainage channel and drain hole.
- You can also pour a small amount of water down the drain hole to clean inside of it.
- You should be careful to make sure that wine bottles do not touch the rear wall of the appliance, as this can interrupt the automatic defrosting process and deflect water into the base of your wine cooler.

Installation



IMPORTANT: Before installation and usage read all the instructions and make sure that the voltage (V) and the frequency (Hz) indicated on the rating plate are exactly the same as the voltage and frequency in your home. The rating plate can be found on the front left edge of the inside of the refrigerator.

The manufacturer declines all responsibility in the event of the installer failing to observe all the accident prevention regulations in force, which are necessary for normal use and the regular operation of the electric system.

Electrical connection



YOUR WINE COOLER IS INTENDED FOR FITTED AND PERMANENT INSTALLATION.

We recommend that the appliance is connected by a qualified electrician, who is a member of the N.I.C.E.I.C. and who will comply with the I.E.E. and local regulations.

- Your wine cooler comes supplied with a 13 amp plug fitted. If in future you need to change the fuse in this plug, then a 13 amp ASTA approved (BS 1362) fuse **must** be used.

- The wiring in the mains lead is coloured as follows:

Brown	Live
Blue	Neutral
Green and yellow	Earth

- As the colours of the wires in the appliance's mains lead may not correspond with the coloured markings identifying the terminals in your spur box, please proceed as follows:

The **brown wire** must be connected to the terminal marked "L" (live), or coloured **red**.

The **blue wire** must be connected to the terminal marked "N" (neutral), or coloured **black**.

The **green and yellow wire** must be connected to the terminal marked "E" (earth), or by the earth symbol, or coloured **green and yellow**.

- When the connection is completed, no stray strands or cut wire should be present. The cord clamp must be secured over the outer sheath.

Positioning

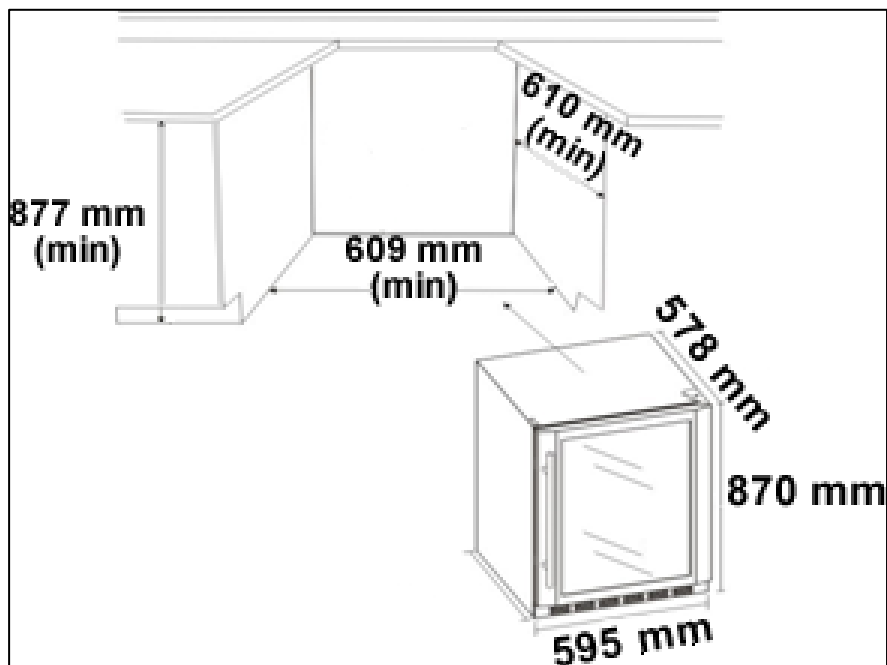
- It is advisable that your appliance is only installed in a location where the ambient temperature of the room, corresponds with the climate classification that is stated on the rating plate of your appliance. Your appliance may not function correctly if the ambient temperature falls outside of the following ranges.

Climate classification	Appropriate ambient temperature
SN	+10 to +32 degrees centigrade
N	+16 to +32 degrees centigrade
ST	+18 to +38 degrees centigrade
T	+18 to +43 degrees centigrade

- Positioning the appliance requires two people in order to avoid injuries or damage to the appliance.
- Your appliance should not be located in direct sunlight or exposed to continuous heat or extremes of temperature (e.g. next to a radiator or boiler). If this is not feasible, then you should install an insulation plate between the appliance and the adjacent heat source.
- You should check whether there is an electrical socket available, which will be accessible after your appliance is installed.

- Place the appliance flatly and firmly on a solid base. The appliance is fitted with adjustable feet on the front side, which can be used to level the appliance.
- If you are placing another cooling appliance next door to this product, then there must be a gap of at least 2cm between the appliances. This will help to prevent condensation from forming.
- Be sure to leave enough space for the opening of the door, to avoid damage to the appliance or personal injury.
- **IMPORTANT: The vent at the base of the appliance is for ventilation. Nothing should be placed in front of this vent; otherwise your wine cooler may not operate properly.**

Built-in installation



- Your wine cooler can be used as a freestanding or a built in unit. If you are going to use it as a built in unit, then the dimensions shown in the diagram above will need to be followed.
- In particular the depth dimension must be observed. The door should protrude at least 1" beyond the surrounding cabinets.
- **IMPORTANT: The vent at the base of the appliance is for ventilation. Nothing should be placed in front of this vent; otherwise your wine cooler may not operate properly.**

Troubleshooting



IMPORTANT: If your wine cooler appears not to be operating properly, before contacting the Baumatic Service Department, please refer to the checklist below.

PROBLEM	POSSIBLE CAUSE
Appliance does not operate	Not plugged in. The circuit breaker has tripped or the fuse has blown.
Temperature inside the appliance is too warm.	The temperature controls are set too warm. Set the temperature controls to a cooler setting and allow several hours for the temperature to stabilise. The door is being kept open too long or is being opened too frequently, which is allowing warm air to enter the appliance. The door is not closed completely. The door gasket is not sealing correctly. The appliance has recently been disconnected from the mains supply; it will take at least four hours for it to get down to temperature again.
Temperature inside the appliance is too cold	The temperature controls are set too cold. Set the temperature controls to a warmer setting and allow several hours for the temperature to stabilise.
Vibration	Check to ensure that the appliance is on a level surface. The appliance is touching the back wall behind it. Reposition the appliance and move it from the wall. If vibration continues to occur, then turn off the appliance and unplug it from your mains supply. Then contact the Baumatic Service Department for assistance.
Moisture is forming on the inside of the appliance.	The door is slightly open. The door is being kept open too long or is being opened too frequently. Open the door less often. The door is not sealed properly.
Moisture is forming on the outside of the appliance.	The door is slightly open, causing cold air from inside the appliance to meet warm, moist air from the outside.

Abnormal display on the control panel.	<p>E1 on the upper zone temperature display indicates an error of the temperature sensor for the upper zone.</p> <p>E2 on the lower zone temperature display indicates an error of the temperature sensor for the lower zone.</p> <p>E3 on the upper zone temperature display indicates an error of the upper electric fan.</p> <p>E4 on the lower zone temperature display indicates an error of the lower electric fan.</p> <p>If any of the above error codes appear, you should contact the Baumatic Service Department for assistance.</p>
--	---



IMPORTANT: If your appliance appears not to be operating correctly, then you should disconnect it from your mains supply and then contact the Baumatic Service Department on telephone number (0118) 933 6911.

DO NOT ATTEMPT TO REPAIR THE APPLIANCE YOURSELF.

Please note that if an engineer is asked to attend whilst the product is under guarantee and finds that the problem is not the result of an appliance fault, then you may be liable for the cost of the call out charge.

The appliance must be accessible for the engineer to perform any necessary repair. If your appliance is installed in such a way that an engineer is concerned that damage will be caused to the appliance or your kitchen, then he will not complete a repair.

This includes situations where appliances have been tiled in, sealed in with sealant, have wooden obstructions placed in front of the appliance, like plinths. Or any installation other than the one specified by Baumatic Ltd. has been completed.

Please refer to the conditions of guarantee that appear on the warranty card that you receive with the appliance.



You will be mine ...

United Kingdom

Baumatic Ltd.,
Baumatic Buildings,
6 Bennet Road,
Reading, Berkshire
RG2 0QX
United Kingdom

Sales Telephone

(0118) 933 6900

Sales Fax

(0118) 931 0035

Service Telephone

(0118) 933 6911

Service Fax

(0118) 986 9124

Spares Telephone

(01235) 437244

Technical Advice Telephone

(0118) 933 6933

E-mail:

sales@baumatic.co.uk
technical@baumatic.co.uk

Website:

www.baumatic.co.uk

Republic of Ireland

01- 6266 798

Czech Republic

Baumatic CR spol s.r.o.
Amperova 495
46215, Librec
Czech Republic

+420 800 185 263

www.baumatic.cz

Slovak Republic

Baumatic Slovakia, s.r.o.
Skultetyho 1
831 04 Bratislava 3
Slovakia

+421 255 640 618

Germany

Baumatic Gmbh
Janderstrasse 9
Mannheim, 68199
Germany

+4962 112 9190

www.baumatic.de

Italy

Baumatic Italia S.R.L.
Via Caltana 129
Campodarsego (Padova), 35011
Italy

+3904 9920 2297

www.baumatic.it

Holland

Baumatic Benelux B.V.
Grindzuigerstraat 22
1333 MS ALMERE
The Netherlands

+3136 549 1555

www.baumatic.nl



Baumatic®

www.baumatic.com