

# BT89

## USER AND INSTALLATION INSTRUCTIONS



# INSTRUCTIONS FOR THE INSTALLATION, MAINTENANCE AND USE OF THE HOOD MODEL K89



## GENERALITY

Before installing and/or using the hood read carefully and entirely the instructions. Before installing the hood ensure that the voltage (V) and the frequency (Hz) indicated on the matriculation label and the technical data indicated on the inside of the apparatus correspond to the voltage and frequency available in the place of installation. Matriculation label and technical data. The matriculation label and technical data are found on the inside of the apparatus.

## INSTALLATION

The accessories necessary for the installation of the hood are found inside the packaging. Connect the opening (125 mm diameter) to an evacuation tube directly connected to the outside and having a minimum section of 150 cm<sup>2</sup>. The lower plane of the hood must be at least 70 cm from cooking level. **IN NO CASE SHOULD THE HOOD BE ATTACHED TO EXHAUST CHIMNEYS OF OTHER APPARATUS** (water heater, heater, stove, etc...).

## ELECTRICAL CONNECTION

The hood is made to be installed in a permanent manner, before hooking up read carefully the matriculation label placed on the inside of the hood which contains the technical data of the engine. Open the derivation container CD (fig. 1) placed on the inside of the hood and connect the conductors of an isolated cable of at least HO5VV-F of 2 X 0,75 mm<sup>2</sup> to the terminals M (fig. 3) found on the inside and identified with the signals L and N. The cable is to be fixed using the cable holder present on the derivation container, after connecting replace the cover. Remember that the cable is going to be connected to a suitable fixed power supply (electrical implant) by specialized and authorized individuals which follow the governing norms and laws. The manufacturer is not liable when the governing norms and laws and the above cited installation instructions are not respected or the electrical implant to which the hood is connected is not suitable and effective.

## TYPE OF FUNCTION

**Aspirator** - Attach the pipe fitting R (fig. 1) on the top of the hood by means of a tube of 125 mm diameter to a fume and odor exhaust of at least 150 cm<sup>2</sup> section. In case such evacuation pipe is not available and the hood is to be mounted on a perimeter wall of the building, make a hole on the wall large enough to mount an anti rain-wind roller shutter, of at least 150 cm<sup>2</sup> section and connect it with a tube to the pipe fitting at the end of the apparatus.

## INSTRUCTIONS FOR ASSEMBLY

The hood-chimney is to be mounted on the wall: fix the wall unit bearing bar RC (fig. 1) to the wall through the provided plugs, After having marked on the wall the position of the supporting holes FS (fig. 1), in a way that the hood is at least 70 cm above the cooking surface level. Hang the hood on the bearing bar through the mould SG (fig. 1) found on the back of the hood. Secure the hood using the two support holes FF (fig. 1) found on the mould.

## CONTROL PANEL

The control panel PC (fig. 2) is situated at the base of the hood and includes:

A four positions switch for engine control (0 off, 1a-2a-3a speed) (fig. 5 reference MT).

Switch for illuminating light (fig. 5 reference L).

## MAINTENANCE

Make sure before performing any operation that the power supply cable is unplugged or that the switch is positioned on the 0 (zero).

**Cleaning:** clean the external part with a non corrosive liquid detergent, avoid the use of abrasive detergents or powders or scrubs.

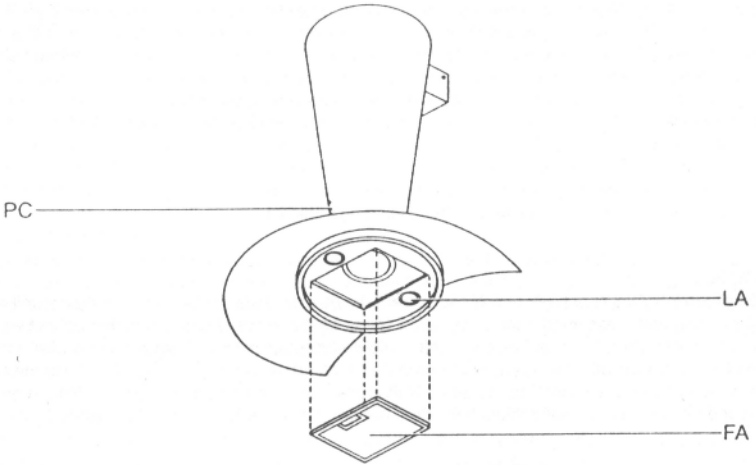
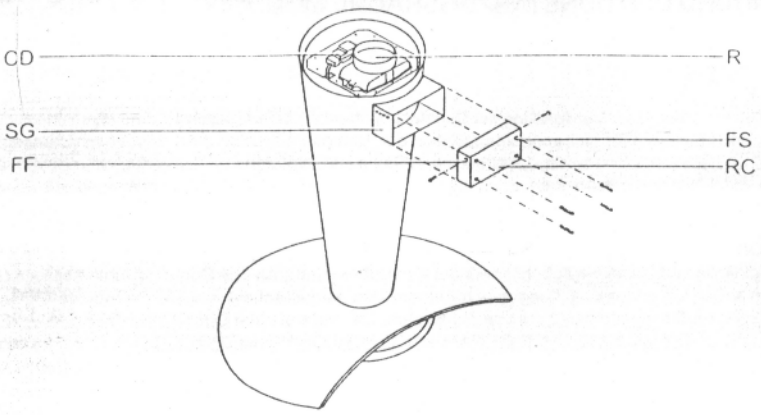
**Replacing light bulb:** before replacing the halogen light bulb LA (fig. 2), remove with a screw driver the glass holding ring A (fig. 4) then remove the glass B (fig. 3) and replace the lamp with an analog (halogen 12 V att. 94), remount the protection glass and secure it with the ring.

**Cleaning the metallic degreaser filter:** in function of the use or every three month, the metallic degreaser filters FA (fig. 2) are to be removed and washed in the dishwasher or in hot water with normal dishwashing detergent. After having them accurately rinsed and cleaned, place in the appropriate housing.

## IMPORTANT

Always make sure that the fire is covered in order to prevent overheating to the filter and to the hood. Never fry leaving the pan unattended, the oil in the pan may overheat and catch fire. In the case of reused oil the risk of auto combustion is higher. It is absolutely forbidden to cook developing flames under the hood (e.g. flambé). Do not use the hood in the aspirator version in an environment where other non electric apparatus are used simultaneously (e.g. wood stove, gas stove, combustion heater) with a discharge connected to the outside unless a good ventilation is ensured. If the hood is used in the aspirator version, check the condition of the exhaust pipe, in case the latter hasn't been used for a long time. Remember, furthermore, to pay attention to the local governing norms related to the discharge of the air to be evacuated while operating in the aspirator mode. All the suggestions given must be observed scrupulously in order to avoid possible fire.

**THE MANUFACTURER DECLINES EVERY RESPONSIBILITY IN CASE OF NON OBSERVANCE OF THE INDICATIONS DESCRIBED ABOVE WITH REGARDS TO INSTALLATION, MAINTENANCE AND SUITABLE USE OF THE HOOD.**



4

