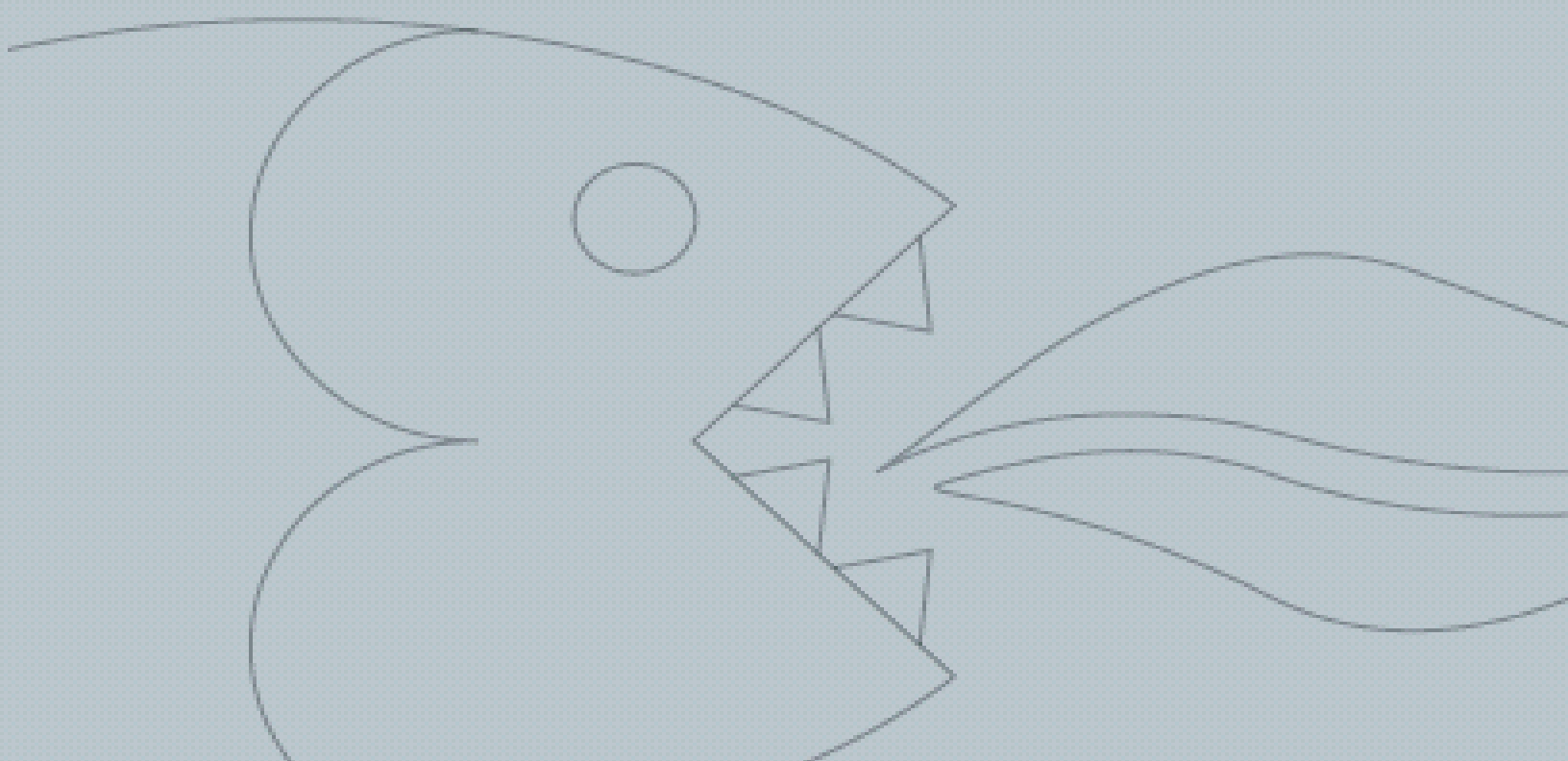


STD6SS Cooker Hood

Instruction manual



User Manual for your Baumatic

STD6SS Cooker Hood



NOTE: This User Instruction Manual contains important information, including safety & installation points, which will enable you to get the most out of your appliance. Please keep it in a safe place so that it is easily available for future reference.

CONTENTS

YOUR COOKER HOOD'S SPECIFICATIONS3

IMPORTANT SAFETY INFORMATION.....4-5

ENVIRONMENTAL NOTE6

USING YOUR COOKER HOOD.....7

MAINTAINING AND CLEANING YOUR COOKER HOOD8-10

INSTALLATION INSTRUCTIONS11-14

CARBON FILTER11
ELECTRICAL CONNECTION.....12
INSTALLING THE COOKER HOOD.....13-14

***TROUBLESHOOTING*15**

CONDITIONS OF GUARANTEE.....16

CONTACT DETAILS.....17

Specifications of your STD6SS Cooker Hood

Congratulations on purchasing a Baumatic Cooker Hood!

To fully enjoy using your appliance long into the future, please firstly familiarise yourself with its specifications, safety advice and operational instructions included in this manual. You will also need this manual to ensure that your Cooker Hood has been installed properly.

Your cooker hood can work either as an extraction fan or as an air recirculator. Whichever mode you choose, you will need to bear in mind that the extractor calls for ducting (not included) to be worked from the exhaust of your fan, while the recirculation function will require the replacement of carbon filters.

Please see the installation section of this manual for details.

DIMENSIONS

Width: 600 mm (at rear)
Depth: 485 mm (top); 540 (bottom)
Height: 150 mm

Your stainless steel Cooker Hood is fitted with:

- Slider control operation
- 3 speeds
- 2 lights

Extraction capacity: 290 m³/hr

Optional Extra: 1 x UCF1 Carbon filter for air recirculation.

Important Safety Information: Please Read this before installing & using.

- ***Any installation work must be carried out by a qualified electrician or competent person.***

- ***The hood must be installed in accordance with the installation instructions and all measurements followed.***

- **If the cooker hood is installed for use above a gas appliance then the provision for ventilation must be in accordance with the Gas Safety Codes of Practice BS.6172, BS.5440 & BS.6891 (Natural Gas) and BS.5482 (LP Gas) 1994, the Gas Safety (Installation & Use) Regulations, the Building Regulations issued by the Department of the Environment, the Building Standards (Scotland) (Consolidated) Regulations issued by the Scottish Development Dptmt.**



- **It is dangerous to alter the specifications or to modify this product in any way. Do not tamper with it or attempt to alter it in the attempt to customise it further.**



- **When installing the hood, ensure that the following recommended distances are being observed between the cooker top and the bottom of the cooker hood:**

- ✓ **Electric cookers:
700 mm**
- ✓ **Gas cookers:
700 mm**
- ✓ **Coal/ oil cookers:
800 mm**

*** NOTE - DO NOT SET YOUR COOKER HOOD LESS THAN 700mm ABOVE YOUR COOKER!**

- **When installed between adjoining wall cabinets, the cabinets must not overhang the hob and their undersides must be at least 50 mm off from the hob edges.**
- **The edges of the cooker hood are sharp – be mindful of this as you handle your appliance, especially during installation and cleaning. *DO NOT CLEAN IN BEHIND THE GREASE FILTERS!***
- **If the room where the cooker hood is to be used contains a fuel burning appliance such as a central heating boiler then its flue must be of the sealed or balanced flue type.**
- **If other types of flue or appliances are fitted, ensure that there is an adequate supply of air in the room.**
- **When the hood is being used in its extractor function, ensure that the ducting is fire retardant and that there are no bends sharper than 90 degrees as this will reduce the efficiency of the hood.**

Important Safety Information: Please Read this before installing & using.

- Ensure the ducting for the extractor function has the same diameter as the outlet hole all the way through.

- **Keep young children from using, playing with or tampering with the cooker hood. Older children and infirm persons should be supervised if they are using the cooker hood.**



- **Your cooker hood is for domestic use only.**

- **Please dispose of the packing material carefully – children are especially vulnerable to it.**

- **Dirty oil is an even greater fire risk.**

- **Always put lids on pots and pans when cooking on a gas cooker.**

- **The manufacturer refuses to accept any responsibility for damages arising to the hood or its catching on fire from failure to observe fire safety advice in these instructions.**



- **Remember that when in extraction mode, your cooker hood is removing air from your room. Ensure that proper**

ventilation measures are being observed. Note that it removes odours from your room, not steam.

- **Warning - Always ensure that the cooker hood has been disconnected from the power supply before carrying out any work on the hood, including replacing light bulbs.**

-
- ☒ **Do not connect the ducting system of this appliance to any existing ventilation system which is being used for any other purpose.**

- ☒ **Do not install above a cooker with a high level grill.**

- ☒ **Never leave frying pans unattended during use as overheated fats and oils might catch fire.**

- ☒ **Do not leave naked flames under the cooker hood.**

- ☒ **Do not attempt to use the cooker hood if it is damaged in any way. Never attempt to use it without the grease filters fitted or if the filters are excessively greasy!**


- ☒ **Never flambé cook under this cooker hood.**

Environmental Note

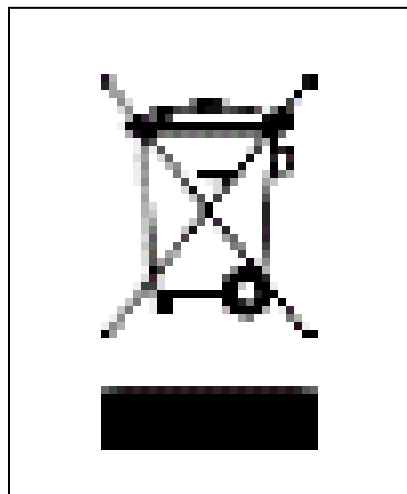
Note: Before discarding an old appliance, switch off and disconnect it from the power supply. Cut off and render any plug useless. Cut the cable off directly behind the appliance to prevent misuse. This should be undertaken by a competent person.

CONFORMITY TO W.E.E.E. DIRECTIVE

This appliance is marked according to the European directive 2002/96/EC on Waste electrical and Electronic Equipment (WEEE). By ensuring this product is disposed of correctly, you will help prevent potential negative consequences for the environment and human health, which could otherwise be caused by inappropriate waste handling of this product.

The symbol  on the product, or on the documents accompanying the product, indicates that this appliance may not be treated as household waste. Instead it shall be handed over to the applicable collection point for the recycling of electrical and electronic equipment.

Disposal must be carried out in accordance with local environmental regulations for waste disposal. For more detailed information about treatment, recovery and recycling of this product, please contact your local city office, your household waste disposal service or the shop where you purchased the product.

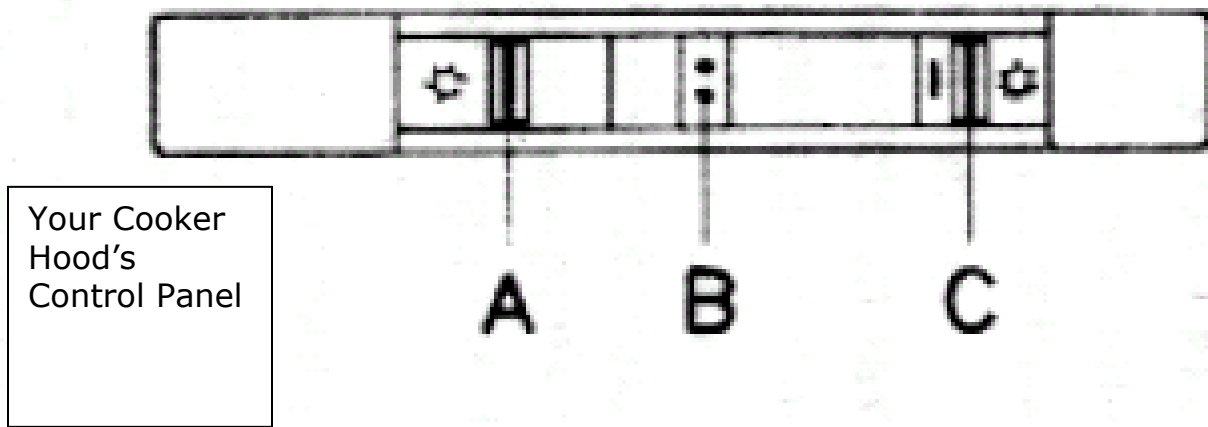


Using your Baumatic Cooker Hood:

To use your cooker hood:

- 1) Make sure it has been properly installed.
- 2) Find the CONTROL PANEL. It is located on the hood's front surface near the upper right corner of the unit.
- 3) The CONTROL PANEL contains switches as shown in the Figure below. These perform separate functions. You will need to understand what both switches do before you attempt to use your cooker hood.

*** Note: The hood should be switched on at least as soon as you start cooking.**



MOTOR ON /OFF switch – the 'M' switch ('A' in figure above) turns the motor on and off and adjusts its speed. There are three speeds, pushing the switch to the right increases the speeds.

Motor Operation Pilot light - 'B' in the figure above.

LIGHT ON/OFF switch - Pressing the 'L' switch ('C' in figure above) turns your cooker hood's light on and off.

PLEASE NOTE THAT YOUR BAUMATIC COOKER HOOD CAN BE USED EITHER IN RECIRCULATION MODE OR IN EXTRACTION MODE. TO USE IN RE-CIRCULATION MODE, YOU WILL NEED TO FIT THE CARBON FILTER.

Cleaning your Baumatic Cooker Hood:

* **IMPORTANT!**: *Before cleaning, always ensure that you have switched your cooker hood OFF at the omni-polar switch, set at the wall from the cable:*

Cleaning

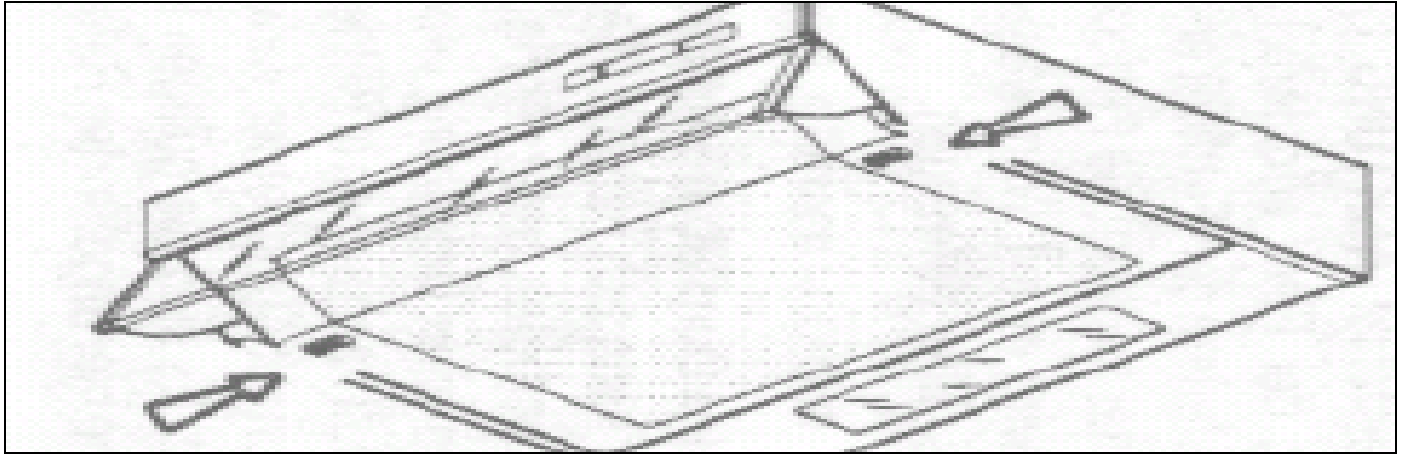
- ⤷ Clean the external parts with mild liquid detergents on a damp cloth.
- ⤷ Never use abrasive powder, corrosive solvents or brushes.
- ⤷ Never insert pointed objects into the motor's protective grid.
- ⤷ Only clean the control panel and filter grill with a damp cloth and delicate detergents.
- ⤷ Be sure to replace the carbon filters at the recommended intervals. Build up could cause a fire hazard.
- ⤷ Never take out the grease filters and attempt to clean the space above where they are set.

Anti-Grease Grille

- ⤷ Your cooker hood includes an anti-grease grille which helps absorb vapour-suspended grease particles to protect your kitchen & furniture from greasy residues.
- ⤷ The metal grille may become inflammable if it becomes saturated with greasy residue.

- ✓ To prevent this fire hazard, the grille should be cleaned regularly (depending on use) every 10-15 days and at least every three months in a dishwasher or in hot water with normal washing-up detergent.

Maintenance - Cleaning the Anti-grease Filters



To clean the grille by hand:

First remove the anti-grease filter by sliding the securing nibs at the sides of the grille on the underside of the hood.

You can now clean the anti-grease grille:

✓ Soak it for about one hour in hot water with a grease-loosening detergent then rinse off thoroughly with hot water.

✓ Repeat the process if needed. Refit the grease grille once it has dried.

To clean the grille in your dishwasher:

1) Place the grease grille in the dishwasher. Select the most powerful washing programme and highest temperature. Repeat the process if necessary.

2) Refit the grease grille when it is dry. Do not worry about the slight discolouration of the grille – its performance won't be affected. **DISCOLOURATION OF THE GREASE FILTER CAN TAKE PLACE WHEN CLEANED IN A DISHWASHER. THIS IS NORMAL.**

- **NOTE - After carefully rinsing and drying the anti-grease grille, put it back in place. Never put it back in wet!**
- **Never attempt to use your Cooker hood without the grease filter grille in place!**

Maintenance – Changing the Light Bulb and Carbon Filter

a) Changing the light bulb

- ✓ Before changing the light bulb, ensure that the appliance is not live (i.e., ensure that you have switched it off at the omni-polar switch on the wall switch plate.).
- ✓ Open the grease filter support grille (see previous page).
- ✓ Find the bulb in its position.
- ✓ Change the bulb using only olive-shaped spares with an E14 coupling, max. 40W.

*** PLEASE NOTE - Defective bulbs should be replaced immediately.**

- ✓ Replace the grease filter support grille.

Installing / Changing the Carbon Filter

Your Baumatic Cooker Hood uses a **CARBON FILTER** to purify the air for the air recirculation function.

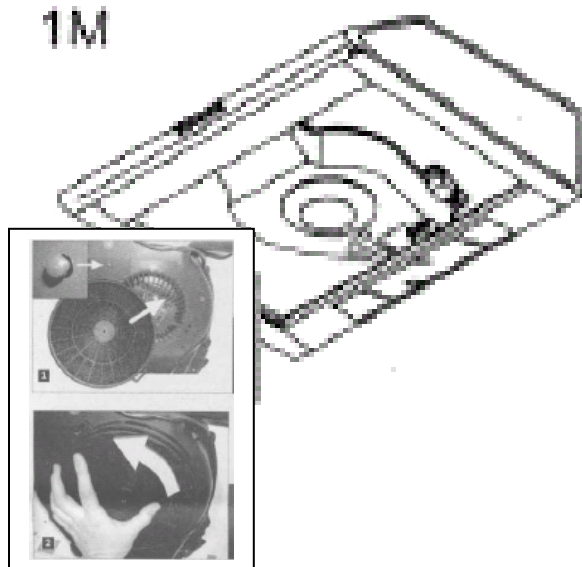
You will find that one filter will attach over the front of the fan motor (please see figure at bottom of page).

The active carbon filter must be replaced regularly, at least once every three months, to allow normal operation.



Before starting to fit the carbon filter, turn the omnipolar switch (where cable meets wall plate) OFF.

To change the Carbon Filter



- 1) Remove the metal grease filter grille (see page 9).
- 2) Take carbon filter and extract centre peg on it about 10mm. (If changing, remove the old carbon filter by rotating it until it unlatches from the sides of the motor).
- 3) Place the new carbon filter over the motor bracket, making sure that the centre button fits exactly into the hole on the bracket. Press lightly until it snaps into place then insert the centre peg.
- 4) Replace the anti-grease filter grille.

INSTALLATION INSTRUCTIONS - Electrical

Before installation and usage, read all the instructions and make sure that the voltage (V) and the frequency (Hz) indicated on the identification plate (found inside your Cooker Hood) and all the data inside the appliance are exactly the same as the voltage and frequency in your home.

NOTE: The manufacturer declines all responsibility in the event of failure to observe all the accident-prevention regulations in force which are necessary for normal use and regular operation of the electric system.



ELECTRICAL CONNECTION

Your cooker hood is intended for **fitted and permanent installation.**

- The power cable must be connected to the terminals marked L (live) and N (neutral) in the hood and fixed with a cable clamp.
- The cooker hood's power cable must be fitted upstream from the electrical connection using an omni-polar switch with a contact distance of at least 3mm.

NOTE: (UK only) WARNING – THIS APPLIANCE MUST NOT BE EARTHED. It should only be connected by a competent person using fixed wiring via a DOUBLE POLE SWITCHED FUSED SPUR OUTLET.

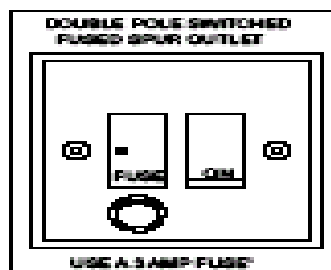
We recommend that the appliance is connected by a qualified electrician who is a member of the N.I.C.E.I.C. and who will comply with the I.E.E. and local regulations. The wires in the mains lead are coloured in accordance with the following U.K. code:

Blue= Neutral, Brown = Live, Green/Yellow = Ground

If you can only find two wires in the cable (blue and brown), neither must be connected to the Earth terminal!

- As the colours of the wires in the appliance's mains lead may not correspond with the coloured markings identifying the terminals in your spur box, please proceed as follows:

1) The **BLUE WIRE** must be connected to the terminal marked 'N' (Neutral), or coloured Black.



2) The **BROWN WIRE** must be connected to the terminal marked 'L' ('Live'), or coloured RED (Fig. 7 – at left)

Fig. 7 ONLY FOR U.K.

INSTALLATION INSTRUCTIONS – installing your Cooker Hood



PLEASE NOTE THAT YOU WILL HAVE TO DECIDE BEFORE INSTALLING YOUR COOKER HOOD WHETHER YOU WANT IT AS AN EXTRACTION FAN! THE INSTRUCTIONS FOR EXTRACTION FAN MODE WILL BE MARKED '(E)' BELOW

- ⊗ ***The cooker hood must not be fitted above stoves with a radiant top plate.***
- ⊗ ***We recommend that at least two people install this hood.***

Your Baumatic Cooker Hood should only be fitted on a wall on the underside of a cabinet unit.

Do NOT position it any less than 700 mm (70 cm) above the hob.

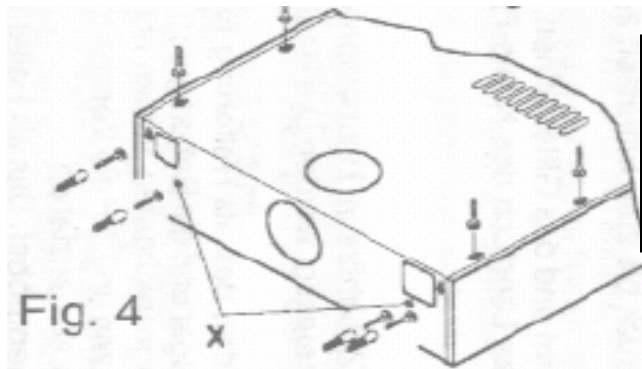
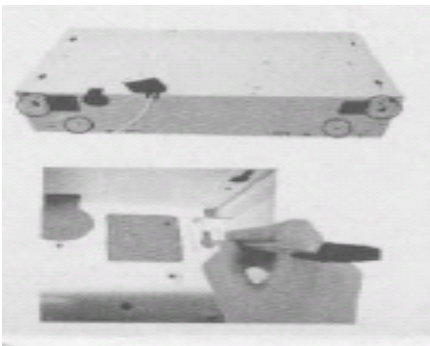


Before Installing, Remove the metal anti-grease filter (see page 9).

NOTE: YOU HAVE THE CHOICE OF FITTING YOUR COOKER HOOD TO A DUCTING HOLE THAT WILL EITHER GO ABOVE YOUR COOKER HOOD OR BEHIND IT. (E)

WALL INSTALLATION

- 1) Position the hood against the wall and mark the positions for the supporting bracket bolt holes (see Fig. 4 below) of the exhaust hole (this hole must be 130mm in diameter).**
- 2) Drill these holes into the wall using a 6 mm diameter drill bit. If you intend to use your Cooker Hood as an extraction fan, you will need to fit a ducting kit through this that will connect to your appliance.**



ALL SCREWS, RAWLPLUGS, ETC. COME WITH YOUR COOKER HOOD!

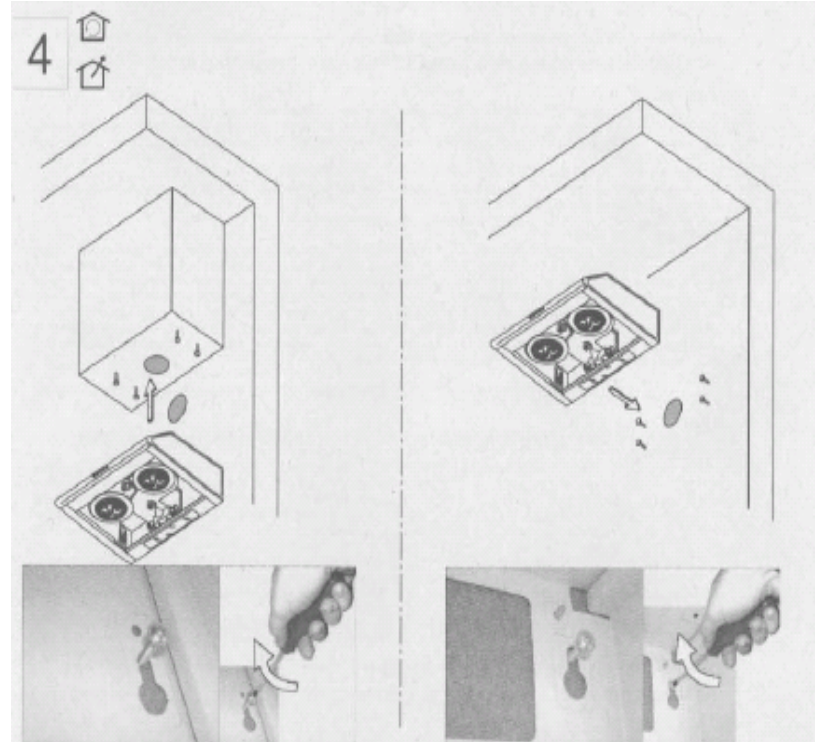
- 3) Insert the rawlplugs into the holes and then insert the top screws part way, so that the screws stick out by 10mm.**
- 4) Hang the hood up on the screws. Insert the bottom screws.**
- 5) Tighten the screws the rest of the way in.**
- 6) (E) For the extraction function, connect the exhaust outlet pipe to the collar strip. Find the screw holes in the top and rear of the cooker hood. Tighten the bolts from inside the hood.**

INSTALLATION INSTRUCTIONS – installing your Cooker Hood

KITCHEN UNIT / UNDERSIDE OF CABINET INSTALLATION

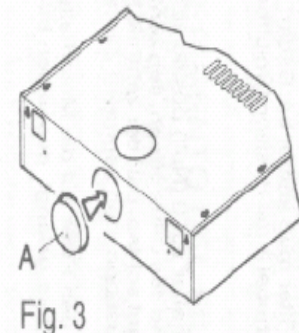
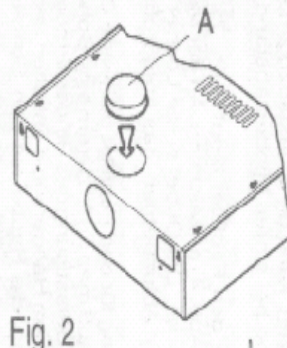
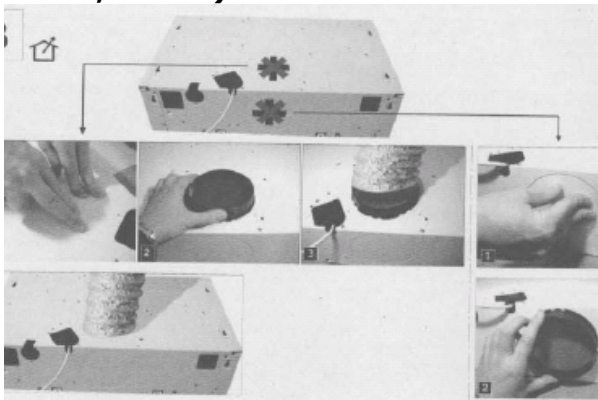
NOTE: Ensure that the grease filter grille has been removed.

- 1) (E) – Extraction Function only If you are using the top exhaust outlet (meaning that you have plugged the rear one), first cut a hole measuring 130mm in diameter in the floor of the cupboard into which the hood will be set (see Fig. 2, bottom centre of page) so that the collar strip can be fastened.
- 2) If necessary, make a hole for the power cable to feed through.
- 3) Hold the hood against the underside of the hood and mark the points for the supporting and fastening holes.
- 4) Screw in the four screws supplied with the installation accessory kit.
- 5) Hook the hood onto the supporting screws and tighten them completely (Fig. 4 – on right). Alternatively, use the attachment holes near the previous ones.



6) Close the grease filter grille.

NOTE: For the Extraction fan mode, you will need to decide which exhaust port will be used – rear or top. If you want to connect the rear one, you will need to press in the metal cover of the top port and then cover it with the collar strip ('A' in figure 2 - below, centre).



If you want to connect the top exhaust port, you will need to press in the metal cover on the back and then apply the collar strip there instead ('A' in Fig. 3 – above, right).

Troubleshooting

If something has gone wrong with your Cooker Hood, checking against this chart might keep you from having to call for service.

Symptom	Solution
<i>The cooker hood will not start!</i>	<ul style="list-style-type: none">• Check that the hood is connected to the electricity supply.• Check that the fan speed control is set properly.
<i>The cooker hood is not working effectively!</i>	<ul style="list-style-type: none">• The fan speed is not set high enough.• The grease filter is dirty.• The kitchen is not ventilated well enough.• If the hood is set for recirculation, check that the carbon filters have not expired.• If the hood is set for extraction, check that the ducting and outlets are not blocked.
<i>The cooker hood has switched off during operation!</i>	<ul style="list-style-type: none">• The safety cut-out device has been tripped.• Turn off the hob and then wait for the device to reset.• Note that if you have installed your cooker hood too low, this will happen. If it happens frequently, it will be damaged.

Baumatic Ltd. Conditions of guarantee

Dear Customer,

Your new Baumatic appliance comes complete with a free 12 month guarantee covering both parts and labour costs resulting from defective materials or workmanship.

Baumatic also gives you the opportunity to automatically extend the guarantee period for a further 12 months at no extra cost, giving an initial guarantee period of 24 months. The extended guarantee period applies to England, Scotland, Wales and Northern Ireland only.

To qualify for your full 24 months guarantee you **must** register your appliance within 28 days of purchase to be covered under this guarantee. This can be done online via: www.baumatic.co.uk or through returning the guarantee card which can be found in each new Baumatic appliance.

* In addition, your appliance is covered by a 5 year parts warranty. Baumatic Ltd will provide free of charge the parts required to repair the appliance, only if they are fitted by a Baumatic engineer, for any defect that arises due to faulty materials or workmanship within a period of 5 years from the original purchase date.

* An additional 1 to 3 year insurance scheme for labour is available should you wish to extend the warranty period.

Should any person other than an authorised representative of Baumatic Ltd interfere with the appliance, the policy is negated and Baumatic Ltd will be under no further liability.

The guarantee covers the appliance for normal domestic use only, unless otherwise stated.

Any claims made under the terms of the guarantee must be supported by the original invoice/bill of sale issued at the time of purchase.

This guarantee is transferable only with the written consent of Baumatic Ltd.

If the appliance fails and is considered either not repairable or uneconomical to repair between 12 months (2 years if registered) and five years, a free of charge replacement will not be offered.

The guarantee for any replacement will only be for the remainder of the guarantee on the original product purchased.

The guarantee does not cover:

- Sinks and taps
- Failure to comply with the manufacturers instructions for use.
- The replacement of cosmetic components of accessories
- Accidental damage or wilful abuse.
- Subsequent loss or damage owing to the failure of the appliance or electrical supply
- Incorrect installation
- Losses caused by Acts of God, civil war, failure to obtain spare parts, strikes or lockouts
- Filters, fuses, light bulbs, external hoses, damage to bodywork, paintwork, plastic items, covers, baskets, trays, shelves, burner bases, burner caps, decals, corrosion, rubber seals.

In the course of the work carried out it may be necessary to remove the appliance from it operating position. Whilst all reasonable care will be taken, Baumatic Ltd cannot accept responsibility for damage sustained to any property whatsoever in this process.

This guarantee is in addition to and does not diminish your statutory or legal rights.

Contacting Baumatic Ltd

Sales	Service	Spares	Technical/Advice
TEL: 0118 933 6900	TEL: 0118 933 6911	TEL: 0118 933 6922	0118 933 6933
FAX: 0118 931 0035	FAX: 0118 986 9124	FAX: 0118 933 6942	0118 933 6942

For ROI (Republic of Ireland), please contact one of the numbers below:

TEL: 01 – 6266798 FAX: 01 - 6266634

Thanks you for buying Baumatic.

* Applies to UK, Scotland, Wales & Northern Ireland only (Republic of Ireland has 1 year labour & 1 year parts warranty only)



You will be mine ...

Headquarters

Baumatic Ltd.
Baumatic Buildings,
6 Bennet Road,
Reading,
Berkshire
RG2 0QX, United Kingdom

Sales Telephone
+44 118 933 6900

Sales Fax
+44 118 931 0035

Service Telephone
+44 118 933 6911

Service Fax
+44 118 986 9124

Spares Telephone
+44 118 933 6922

Technical / Advice Telephone
+44 118 933 6933

E-mail:

sales@baumatic.co.uk

technical@baumatic.co.uk

Http (Internet site):
www.baumatic.com

