

BWD1212
Fully integrated
washer dryer

Instruction manual



USER MANUAL FOR YOUR BAUMATIC

BWD1212

Fully integrated washer dryer




Baumatic®

You will be mine ...

NOTE: This User Instruction Manual contains important information, including safety & installation points, which will enable you to get the most out of your appliance. Please keep it in a safe place so that it is easily available for future reference.

DD 03/10/08


Contents

Environmental note	4
Important safety information	5 - 6
Specifications	7 - 8
Description of the appliance	8 - 10
Control panel	9 - 10
Detergent drawer	11
Preparing the wash cycle	12
Preparing your garments for washing	12
A selection of wash care symbols	13
Detergents and conditioners	14
Program table	15 - 16
Wash program guidance	16
Drying program guidance	16
Selecting a wash program	17
Selecting a separate drying program	18
At the end of a wash/drying cycle	18
Pausing a wash program	18
Cancelling a wash program	19
Cancelling a drying program	19
Temperature selection button	19
Spin selection button	20
Delay start button	20
Drying option button	20
Extra rinse option button	21
Child lock	21
Maintenance and cleaning	21 - 23
In daily use	21
Control panel and washer dryer cabinet	22
Detergent drawer	22
The washer dryer drum	23
Door	23
Error code failure system	23 - 25
General troubleshooting	25 - 26
Poor wash results	27
Cleaning the drain pump filter	28 - 29
Installation	29 - 36
Unpacking and removing the transit bolts	29 - 30
Positioning and levelling the appliance	31 - 32
Fitting the décor strip	32
Connecting to the mains water supply	32 - 33
Water outlet	33 - 34
Fitting the furniture door	34
Power supply	35
Before first use maintenance wash	36
Contact details	37

Environmental note

Note: Before discarding an old appliance, switch off and disconnect it from the power supply. Cut off and render any plug useless. Cut the cable off directly behind the appliance to prevent misuse. This should be undertaken by a competent person. Disable the door lock to make sure that children cannot get stuck inside the appliance.

This appliance is marked according to the European directive 2002/96/EC on Waste electrical and Electronic Equipment (WEEE). By ensuring this product is disposed of correctly, you will help prevent potential negative consequences for the environment and human health, which could otherwise be caused by inappropriate waste handling of this product.

The symbol  on the product, or on the documents accompanying the product, indicates that this appliance may not be treated as household waste. Instead it shall be handed over to the applicable collection point for the recycling of electrical and electronic equipment.

Disposal must be carried out in accordance with local environmental regulations for waste disposal.

For more detailed information about treatment, recovery and recycling of this product, please contact your local city office, your household waste disposal service or the shop where you purchased the product.



- The packaging materials that Baumatic uses are environmentally friendly and can be recycled.
- Please discard all packaging material with due regard for the environment.

Important safety information



Your safety is of the utmost importance to Baumatic. Please make sure that you read this instruction booklet **before** attempting to install or use the appliance. If you are unsure of any of the information contained in this booklet, please contact the Baumatic Technical Department.

General Safety

- Repairs to your appliance must only be carried out by a Baumatic engineer or one of its authorised service agents. Any attempt by an inexperienced person to repair the appliance, could result in injury or damage to your washer dryer.
- If you notice that the mains cable is damaged. **The appliance must not be used.** The same applies if you notice that the worktop, control panel or base area is damaged. As this could allow access to the internal components of the machine.
- The appliance should be turned off and isolated from the mains supply, before either cleaning or maintenance work is attempted.
- The mains cable must not be used to pull the plug out of the electrical socket.
- The machine should not be sprayed with water.
- The glass of the porthole door may become hot during the higher temperature wash programs.
- The machine should be allowed to cool before carrying out an emergency drain or cleaning the drain filter.
- It is possible for small animals to chew either mains cables or water hoses, which could cause an electric shock hazard.

Installation

- The installation instructions contained within this user manual should be followed.
- It is obligatory for the completed installation to comply with all relevant building regulations and local water authority requirements.

- **Before the first use of the appliance, we advise that the intense 90°C wash program is completed. No garments should be placed inside the machine; however a small amount of detergent must be used.**

During Use

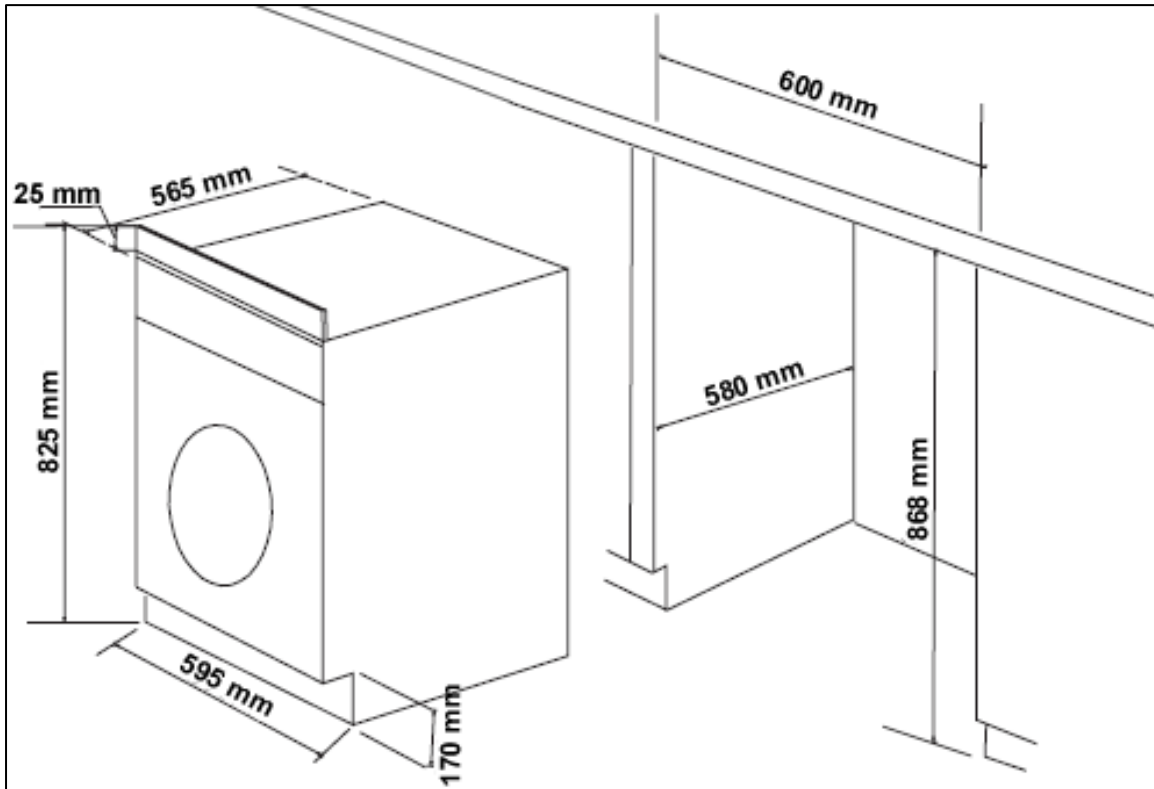
- It is recommended that the appliance is unplugged and the water supply is turned off after the machine is used.
- This appliance is only designed to wash normal domestic washloads. If you use your washer dryer in any other way or it is incorrectly used, then Baumatic accepts no liability for any damage that might be caused and any guarantee will be void.
- No attempt should be made to alter or modify the specifications of this appliance.
- The detergents that you place in this appliance should be suitable for automatic washer dryers. With regards to dosage levels, the detergent manufacturer's recommendations should be followed.
- You should not wash garments that have been in contact with flammable materials.
- Your washer dryer should not be used for dry cleaning.
- If you use either dyes or bleaching agents inside this machine, then you should consult with the manufacturer of these products to make sure they are suitable for use in your washer dryer. Baumatic cannot be held responsible for any damage that may result.

Child Safety

- Your washer dryer should only be used by adults. You should not allow children in the area of the machine unsupervised. You should not let them touch the controls or play with the appliance.
- It could be possible for a child or pet to gain access to the washer dryer through the porthole door. Therefore please check the drum before using the appliance.
- Any packaging that is removed from the machine should be kept away from children.
- All detergents should be kept out of children's reach in a safe place.

Specifications

Product and aperture dimensions



Appliance dimensions

Height: 825 mm
(excluding décor strip)
Width: 595 mm
Depth: 565 mm

Aperture dimensions

868 mm
600 mm
580 mm

Product specifications

- 12 wash programs
- 3 drying programs
- 6 kg wash load
- 3 kg drying load
- 1200 rpm maximum spin speed
- LCD display
- Delay start timer with remain time indicator
- Extra rinse option button
- Spin and temperature selection buttons
- Door safety lock
- Child lock
- Stainless steel drum
- Adjustable feet
- Error code failure system

Energy efficiency

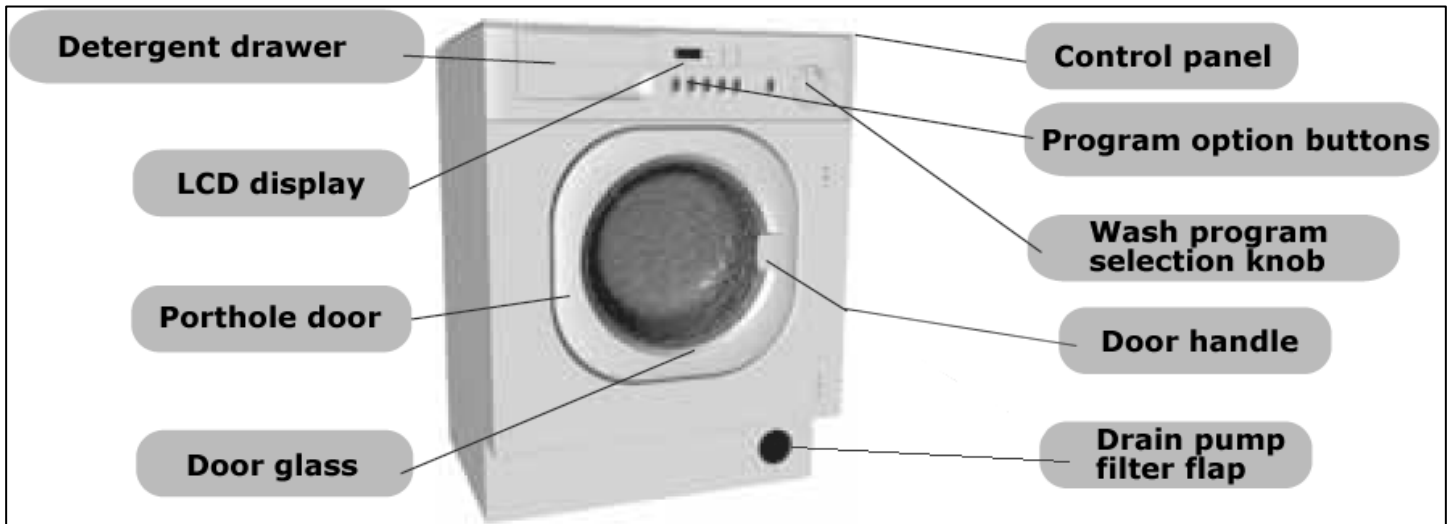
Energy rating (wash)	A
Energy rating (drying)	C
Wash performance	A
Water extraction performance	B

Electrical details

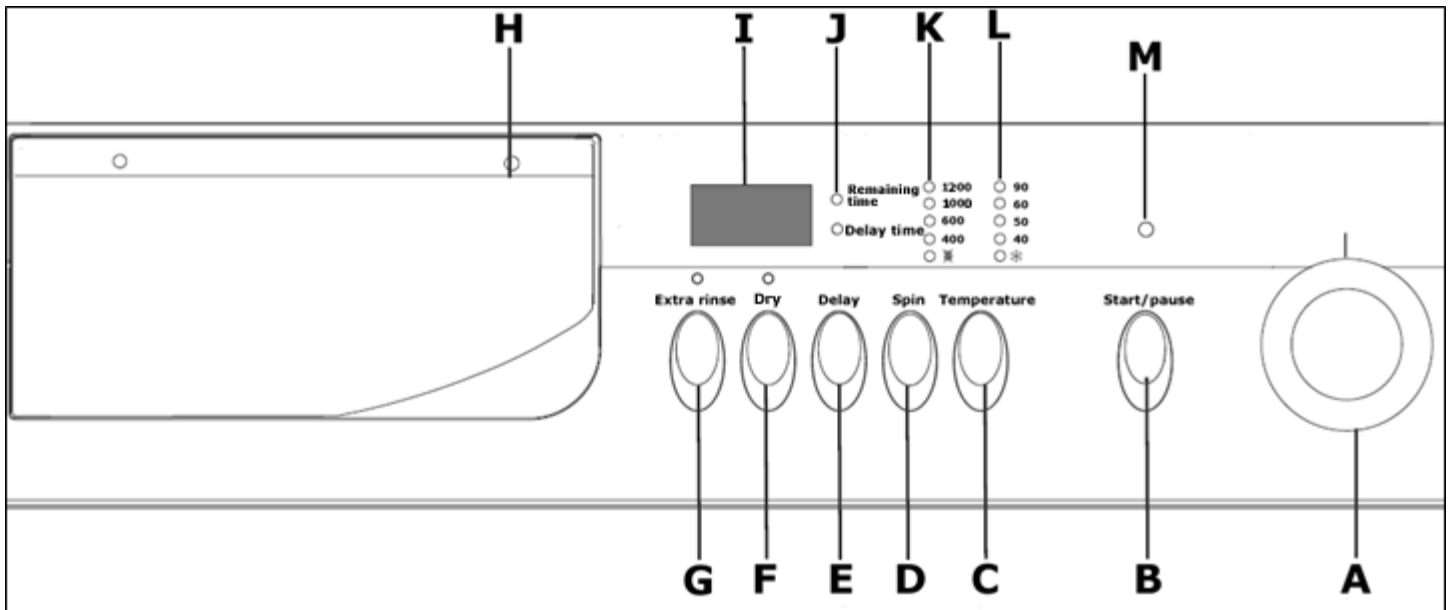
Rated voltage: 230 Vac 50 Hz

Supply connection: 13 A (double pole switched fused outlet with 3 mm contact gap)

Description of the appliance



Control panel



- A Wash program selection knob
- B Start/pause button
- C Temperature selection button
- D Spin selection button
- E Delay start button
- F Drying selection button
- G Extra rinse option button
- H Detergent drawer
- I LCD display
- J Timer indicator neons
- K Spin speed indicator neons
- L Wash temperature indicator neons
- M Start/pause indicator neon

Wash program selection knob

- Turning the control knob anti-clockwise or clockwise allows you to select the wash or drying program of your choice.

Start/pause button

- Once a wash or drying program has been selected, this button should be pressed to start the wash cycle. Or to pause a wash cycle that is in progress.

Temperature selection button

- Press this button to select the temperature that you require for a particular wash program.

Spin selection button

- Press this button to select the spin speed that you require for a particular wash program.

Delay start button

- Press this button to delay the start of the wash program for a maximum of 24 hours.

Drying selection button

- Press this button to get the appliance to complete a drying program.
- You can select a separate drying program. Or get the appliance to commence a drying cycle automatically at the end of a wash cycle.

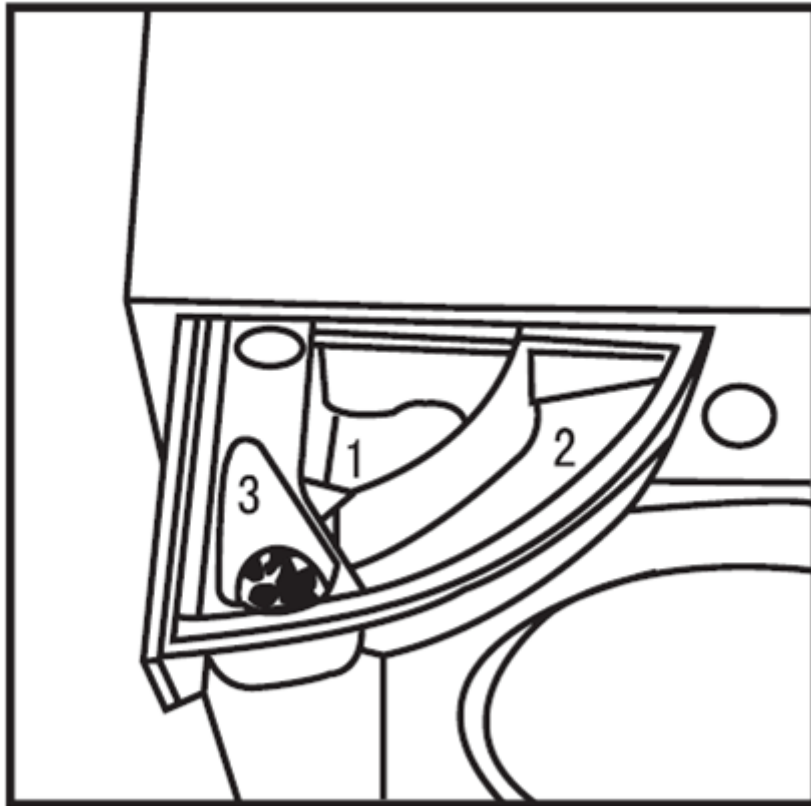
Extra rinse option button

- Press this button to select the “extra rinse” wash program option.
- The appliance will then perform an additional rinse.

LCD display

- The LCD display will show how much time a wash cycle has until it completes.
- If the delay start button has been pressed, then the LCD display will show the remaining time until the wash cycle will commence.

Detergent drawer



1) Pre wash section

This compartment should have detergent placed in, if you are going to select a wash program that has a pre wash as part of it.

2) Main wash section

This compartment should have detergent placed in it (you should also put a water softening agent in this section, if you use one). The detergent will be added to the drum at the start of the main wash program.

3) Conditioner section

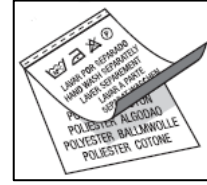
This compartment should be used for liquid conditioners (fabric softener, starch). They will be added to the wash load during the final rinse.

IMPORTANT: Liquid detergent should not be placed in sections 1 or 2 of the detergent drawer.

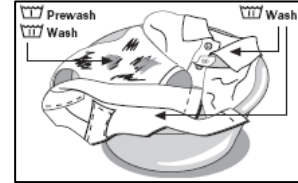
Preparing the wash cycle

Preparing your garments for washing

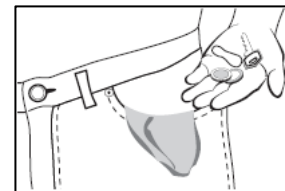
- Your washing should be sorted out, according to the fabric type and the wash care symbol that is printed on the garment's wash care label. (see separate section on wash care symbols).



- Your washing should also be sorted out according to the degree of soiling.



- Check all pockets on a garment to make sure that they are empty.
- Remove any detachable metal items (badges, paperclips, safety pins etc).




- Zips should be closed, duvet covers and pillow cases should be buttoned up and any loose straps should be tied up. This will help to prevent other garments from getting damaged during the wash.
- Woollens and knitted coloured fabrics should be turned inside out before being washed in the appliance.
- Small delicate items (tights, baby socks) should be placed in either a washing net or a zipped pillow case.
- Curtains should be handled with particular care. All plastic hooks or metal strips must be removed before being washed in the appliance.
- Coloured items and whites should be washed in separate wash cycles.



- New garments often contain an excess of dye, therefore it is advisable to wash them separately for their first wash.
- Garments should be unfolded and shook out before being placed inside the machine.

A selection of wash care symbols

I. Washing	boiling temp. 95°C	normal temp. 60°C	normal temp. 40°C	Do not wash!
II. Dry cleaning	delicate		manual	
				Do not clean!
	all solvents	all but TRI	Benzine only	
III. Spin dryer	normal	low	high	Do not dry!
IV. Ironing	110°C	150°C	200°C	Do not iron!
 Select a programme taking into account the care label information				

- The wash care symbols should be used to help you to select the most suitable wash program. They will also help you to sort your laundry into different loads, depending on the fabric type and the highest temperature which the garment can be washed at.
- If the wash care label does not appear in the above table, then please refer to the washer dryer program chart. This gives more detailed descriptions of the types of fabric that are suitable to be washed using a particular wash program.

Detergents and conditioners

The amount of detergent that you need to use in your appliance, will depend on

- **The degree of soiling.** Lightly soiled garments in general require less detergent.
- **The size of the wash load.** A smaller wash load will require a reduction in the amount of detergent.
- **The hardness of your tap water.** The harder your water is, then the more detergent you will need to use. The detergent manufacturers normally give guidance as to how much extra detergent should be used, depending on the hardness of the water.

Liquid detergent

- If you are using liquid detergent, then it should be placed inside the dosing device supplied by the detergent manufacturer.
- **IMPORTANT: Liquid detergent should not be placed in sections 1 or 2 of the detergent drawer.**
- All instructions on the detergent packaging should be followed.

Water softening agents

If your tap water is hard, then it may be prudent to utilise a water softening agent. This will help to ensure that the appliance does not become clogged with hard water deposits. You may also find that it will allow you to lessen the amount of detergent that you are using.



When using any detergent or water softening agent, the recommendations of the manufacturer should be followed.

Program table

Wash cycle information		Recommended laundry	Wash temperatures	Default program setting	Default program time	Detergent			Remarks	
						1	2	3		
Cotton	1	Prewash	Heavily-soiled laundry	*, 40°C, 50°C, 60°C and 90°C	1000 rpm 60°C	2 hours 50 minutes	★	★	○	
	2	Intense	Medium-soiled laundry	*, 40°C, 50°C, 60°C and 90°C	1000 rpm 60°C	2 hours 30 minutes	×	★	○	
	3	Normal	White cotton fabrics	*, 40°C, 50°C, 60°C and 90°C	1000 rpm 40°C	1 hour 50 minutes	×	★	○	
	4	Quick	Fast colours and lightly soiled cotton fabrics	*, 40°C, 50°C, 60°C and 90°C	1000 rpm *	1 hour 20 minutes	×	★	○	
Synthetics	5	Normal	Fast colours and moderately soiled laundry	*, 40°C, 50°C and 60°C	1000 rpm 40°C	1 hour 20 minutes	×	★	○	
	6	Quick	Fast colours and lightly soiled synthetic fabrics	*, 40°C, 50°C and 60°C	1000 rpm *	50 minutes	×	★	○	
	7	Wool	Woollen fabrics	* and 40°C	400 rpm *	50 minutes	×	★	○	Max. spin speed 400 rpm. Drying program cannot be selected.
Delicates	8	Silk	Silk fabrics	* and 40°C	400 rpm *	50 minutes	×	★	○	Max. spin speed 400 rpm. Drying program cannot be selected.
	9	Super quick	Very lightly soiled cotton, linen and synthetic fabrics	* and 40°C	600 rpm *	29 minutes	×	★	×	Drying program cannot be selected.
Spins and rinses	10	Rinse hold	Cotton, linen and synthetic fabrics	*, 40°C, 50°C and 60°C	40°C NO SPIN	40 minutes	×	★	×	Separate coloured and white garments. Drying program cannot be selected.
	11	Rinses		*	1000 rpm *	29 minutes	×	×	○	
	12	Spins		*	1000 rpm	12 minutes	×	×	×	
Drying	13	Store dry	Cotton and synthetic fabrics	Suitable for drying cotton or synthetic garments, that can be put away without requiring ironing.						
	14	Iron dry	Cotton and synthetic fabrics	Suitable for drying cotton or synthetic garments, that require ironing before being put away.						
	15	Freshen up	Cotton and synthetic fabrics	Suitable for freshening up cotton or synthetic garments that have already been dried. 1 kg maximum size of load.						
	0	Power off	Disconnect the power							

- - Indicates that softener can be added if required.
- ★ - Indicates that detergent **MUST** be added.
- ✕ - Indicates that detergent **MUST** not be added.

Wash program guidance

- The default setting column shows the wash temperature and spin speed that the appliance will automatically select for a particular wash program. It is possible to override these settings, using the spin selection button and temperature selection button.
- **IMPORTANT:** You should make sure that the spin speed and temperature that you select are appropriate for the garments that you are washing.
- The wash cycle times that are quoted and shown by the LCD display, are intended as a guide only. Please note that factors external to the machine, e.g. the temperature of your water supply, your water pressure etc. can affect the time it takes for the wash cycle to complete.

Drying program guidance

- Check the wash care labels of the garments that you want to dry, to make sure that they are suitable for drying in a washer dryer.
- The **maximum** amount of clothing that can be dried in your appliance in a single drying cycle is **3kg**. If the washer dryer is overloaded, then the drying performance will be affected and clothing may come out creased.
- The spun dry clothes should be taken out of the drum after a wash cycle. Garments should be unfolded and shook out before being placed back inside of the drum.
- **DO NOT** attempt to dry clothing that has not been spun dry.
- Only dry garments of the same fabric type in a single drying program. If heavy and light fabrics are dried in the same drying cycle, then you will get uneven drying performance.
- When drying larger garments, it is advisable not to place more than two garments in the appliance at once.

Selecting a wash program


- ✓ Load your laundry and put detergent in the relevant compartment(s) of the soap drawer.
- ✓ Close the porthole door firmly.
- ✓ Select the most appropriate wash program for the garments that you are washing, by turning the program selector knob.
- The washer dryer will automatically select a spin speed and wash temperature for the wash program that you have chosen.
- The spin speed indicator neon will light to confirm the spin speed that has been chosen. The wash temperature indicator neon will light to confirm the wash temperature that has been chosen.
- ✓ If you press the spin selection button, then you can adjust the spin speed. The spin speed indicator neon will light next to the spin speed that you have chosen.
- ✓ If you press the temperature selection button, then you can adjust the wash temperature. The wash temperature indicator neon will light next to the wash temperature that you have chosen.
- ✓ Select any program options that you require (extra rinse, delay start, drying cycle) by using the relevant buttons. For more information, please refer to pages 20 and 21.
- **IMPORTANT:** It is not possible to select all program options with every wash program.
- Any program option that you select, will affect the length of time that the wash cycle will take to complete.
- ✓ Press the Start/pause button.
- After approximately 5 seconds, you will hear your washer dryer start the wash cycle.
- Throughout the wash cycle, the LCD display will countdown the remaining time of the wash cycle that is in progress.

If there is a power failure or the plug is pulled out of the socket when a wash cycle is in progress. Once power has been restored, the wash program will continue.

Selecting a separate drying program

- ✓ Load your laundry and then close the porthole door firmly.
- **IMPORTANT:** The maximum amount of clothing that can be dried in a single cycle is 3kg. If you are using program 15 ("Freshen up"), then 1kg is the maximum load size.
- ✓ Select the most appropriate drying cycle for the garments that you are drying, by turning the program selector knob.
- The neon above the drying selection button will light.
- ✓ Press the Start/pause button
- After approximately 5 seconds, you will hear your washer dryer start the drying cycle.
- Throughout the wash cycle, the LCD display will countdown the remaining time of the drying cycle that is in progress.
- If you attempt to dry a load that is larger than 3kg or you are drying a load of differing fabric types, then the remaining time indicator will stop counting down and stay fixed.

At the end of a wash/drying cycle

- The washer dryer will stop automatically when it has completed a wash cycle.
- The LCD display will show the word "End".
- At the end of the wash program, the door will remain locked for 2 – 3 minutes before it is possible to open the door and take out the garments.
- If the spin speed indicator neon next to the  symbol is lit, then at the end of the wash program, the washer dryer will not have spun the wash load.

Pausing a wash program

- ✓ Press the Start/pause button whilst a wash cycle is in progress and the appliance will go into pause status.
- In pause status, the Start/pause indicator neon will flash.
- ✓ Press the Start/pause button again and the wash cycle will continue.

Cancelling a wash program

- ✓ Press the Start/pause button whilst a wash program is in progress and the appliance will go into pause status.
- Turn the wash program selection knob until it is at the off position (zero).



Before opening the porthole door, you MUST drain the appliance; otherwise there may still be water in the drum when you open the door.

- ✓ Turn the wash program selection knob to the spin program (number 12) then press the Start/pause button.
- The appliance will spin and drain the water that is left in the drum.
- The washer dryer will stop automatically when it has completed a wash cycle.
- The LCD display will show the word "End".
- At the end of the drain program, the door will remain locked for 2 – 3 minutes before it is possible to open the door and take out the garments.


Cancelling a drying program

- If you wish to cancel a drying program once the drying cycle is in progress. You should press the Start/pause button and then press the drying option button.
- The neon above the drying selection button will go out.

Temperature selection button

- If you press the temperature selection button, then the wash temperature will reduce downwards from the one selected automatically for a particular wash program.
- The wash temperature indicator neon will light next to the wash temperature that has been selected.
- If the wash temperature indicator neon next to the ❄️ symbol is lit, then the wash cycle will be performed in cold water and not heated.

Spin selection button

- If you press the spin selection button, then the spin speed will reduce downwards from the one selected automatically for a particular wash program.
- The spin speed indicator neon will light next to the spin speed that has been selected.
- If the spin speed indicator neon next to the  symbol is lit, then at the end of the wash program, the washer dryer will not spin the wash load.

Delay start button

- If you press the delay start button, then you can program the wash cycle to commence at a period of time in the future.
- You should select your wash program as normal, but instead of pressing the Start/pause button to get the wash cycle to commence. You should press the delay start button.
- Each time the delay start button is pressed, the length of time until the wash cycle commences will increase by 30 minutes. The minimum delay start is 2 hours 30 minutes.
- It is possible to delay the start of the wash cycle by a maximum of 24 hours.
- Press the Start/pause button and the countdown time will commence. The delay time indicator neon will light and the LCD display will countdown the remaining time until the wash cycle commences.
- Once the delay start time has been reached, the wash program that you have previously selected will start. The remaining time indicator neon will light and the LCD display will countdown the remaining time of the wash cycle that is in progress.

Drying option button

- If you press the drying option button, then the washer dryer will automatically go into a drying cycle after it has completed the wash cycle.
- At the end of the spin stage of the wash cycle, The neon above the drying selection button will light.

Extra rinse option button

- If you press the extra rinse option button, the indicator neon above it will light.
- If you select this option, an additional rinse will be performed for the selected wash program.
- **IMPORTANT:** This option can be utilised on cotton, synthetic, wool and silk wash programs (programs 1 – 8).

Child lock

- Your appliance has a child lock option, if this is set, it will mean that nobody can affect the operation of the wash program once it has started.
- The child lock should be activated, once a wash program and any program options that you wish to use have been selected.
- Press the Start/pause button to commence the wash cycle. Then press the Start/pause button and the delay start button simultaneously.
- The word "LOct" will appear on the LCD display, alternating with the remaining program time.
- When the child lock is engaged, all other buttons on the control panel are disabled.
- To switch the child lock off, you should again press the Start/pause button and the delay start button simultaneously.

Maintenance and cleaning

In daily use

- ✓ Once a wash cycle has completed, you should pull out the detergent drawer slightly, so it can dry out.
- ✓ Leave the porthole door ajar for a short while after a wash cycle has completed. This should help to prevent stagnant smells and to protect the door seal.
- ✓ Close the water tap.
- ✓ We suggest that you disconnect the appliance from your mains supply, when it is not in use.

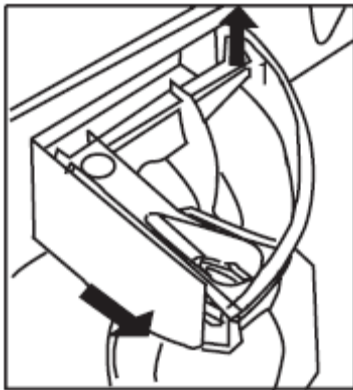
Control panel and washer dryer cabinet.

IMPORTANT: Do not use any abrasive cleaner or household polish on either the control panel or operating parts.

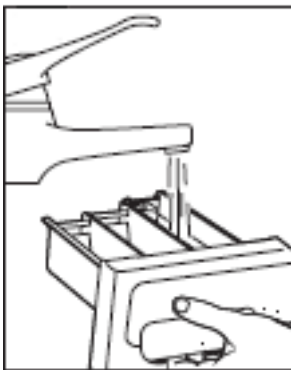
- ✓ Wipe over the control panel and the external surface of the machine using a brand new damp cloth with warm water.
- ✓ If you ever spill any liquid detergent or conditioner from the detergent drawer onto the washer dryer cabinet, then these should be cleaned up immediately as they could be corrosive.

Detergent drawer

Occasionally the detergent drawer should be cleaned.



- Swing open the detergent drawer and then remove the drawer by pulling it forward.



- Use warm water and a brush to thoroughly clean the three compartments of the detergent drawer.
- Clean the area that the detergent drawer slides into with a brush.
- Replace the detergent drawer by placing it back into the slot. Then slide the drawer fully back into position.

The washer dryer drum

The drum of your washer dryer is constructed from stainless steel. However if there are objects that can rust placed inside the drum, then it is possible for the drum to become stained.

IMPORTANT: Do not use a descaling agent, iron/steel wool or scouring agents to clean the drum of your appliance.

- ✓ Remove any rust stains on the drum with an appropriate stainless steel cleaning agent.

Door

- ✓ You should regularly check to see if any deposits have formed, or there are any foreign bodies in the rubber door gasket. This sits inside the opening of the porthole door.

Error code failure system

If your appliance senses that it is not operating correctly, then an error code may appear in the LCD display.

Some of the error codes can possibly be remedied by the customer and the steps outlined below should be followed.

BEFORE COMPLETING ANY MAINTAINANCE ON THE APPLIANCE, IT SHOULD BE DISCONNECTED FROM YOUR MAINS POWER SUPPLY.

Err1

- Door is not shut properly
- ✓ You should regularly check to see if any deposits have formed, or there are any foreign bodies in the rubber door gasket. This sits inside the opening of the porthole door.

Err2

- Drainage error, water has not emptied within 4 minutes.
- ✓ Clean the drain pump filter and check that the outlet hose is not blocked or kinked.

Err3

- Temperature sensor short circuit or open circuit.
- ✓ Contact the Baumatic Service Department.

Err4

- Heating malfunction
- ✓ Contact the Baumatic Service Department.

Err5

- Machine does not fill to the specified level within 8 minutes.
- ✓ Check that the inlet hose is not kinked or blocked and that the water tap the machine is connected to is fully open.

Err6

- Motor speed abnormality
- ✓ Contact the Baumatic Service Department.

Err7

- Motor rotation/stop abnormality
- ✓ Contact the Baumatic Service Department.

Err8

- Machine has filled to an abnormal level.
- ✓ Contact the Baumatic Service Department.

Err9

- Drying temperature sensor malfunction
- ✓ Contact the Baumatic Service Department.

Err12

- Drying water sensor abnormality
- ✓ Contact the Baumatic Service Department.

Err13

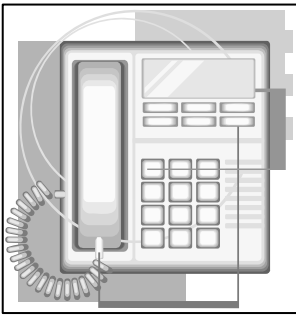
- Drying heater malfunction
- ✓ Contact the Baumatic Service Department

Un6

- Uneven load sensed when the machine attempts to spin a wash load.
- ✓ Remove the clothing from the drum and then reload the washer dryer more evenly, before attempting to spin the wash load again.

EUAr

- Communication abnormality
- ✓ Contact the Baumatic Service Department



If a fault code reappears after following the advice given above, you should turn the wash program selection knob to the off position. Disconnect the appliance from your mains supply. Then arrange for an engineer to attend the appliance. You should contact the Baumatic Service Department on (0118) 933 6911.

IMPORTANT: DO NOT ATTEMPT TO REPAIR THE APPLIANCE YOURSELF.

Please note that if an engineer is asked to attend whilst the product is under guarantee and finds that the problem is not the result of an appliance fault, then you may be liable for the cost of the call out charge.

The appliance must be accessible for the engineer to perform any necessary repair. If your appliance is installed in such a way that an engineer is concerned that damage will be caused to the appliance or your kitchen, then he will not complete a repair.

This includes situations where appliances have been tiled in, sealed in with sealant, have wooden obstructions placed in front of the appliance, like plinths. Or any installation other than the one specified by Baumatic Ltd. has been completed.

Please refer to the conditions of guarantee that appear on the warranty card that you receive with the appliance.

General troubleshooting

Water under the washer dryer

- Tighten the drain pump filter.
- Check the drain and inlet hose and make sure that they are fully tightened.

Washer dryer vibrates during the spin cycle

- Check that the transit bolts have been removed (see installation instructions).
- Make sure that the washer dryer is installed on a flat and level floor.
- Ensure that all four feet are resting firmly on the floor, by pressing down on each corner and making sure that the appliance is stable.

- If it is unstable then follow the “Positioning and levelling the appliance” section.

Poor spin results

- Clean the drain pump (see “Cleaning the drain pump filter” section).

Water in the detergent dispenser

- Although there will be some water residue left in the detergent drawer after a wash cycle has completed. If the drawer is full of water then you may need to clean the detergent drawer.



My garments are looking grey and there are limescale deposits present in the drum of my washer dryer.

- There is not enough detergent being added.
- The incorrect detergent is being used.
- Stains are not being pre-treated.
- The correct wash program or wash temperature was not selected.



I have followed the advice given above, but my garments are still coming out with grey stains on them.

- The garments are soiled with oils, ointments or grease and were washed without enough detergent.
- The wash temperature selected was too low.
- Fabric conditioner has come into contact with the garments. If this happens try to wash out these stains as quickly as you can and try to avoid getting conditioner on the garments in future.



After the final rinse, I can still see foam.

- Modern detergents can result in there still being foam in the final rinse, this does not mean that the washing is not being rinsed properly.



There is white residue on my garments when I remove them from the appliance.

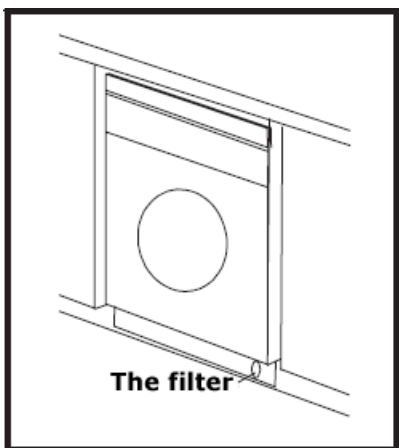
- Modern detergents can contain insoluble contents, and white residue after a wash cycle is not necessarily a sign of the garments not being rinsed properly.
- You should shake out the garment or brush it off. In future possibly turn the garment inside out before it is washed. You may wish to move from a powder detergent and switch to a liquid detergent instead.

Cleaning the drain pump filter

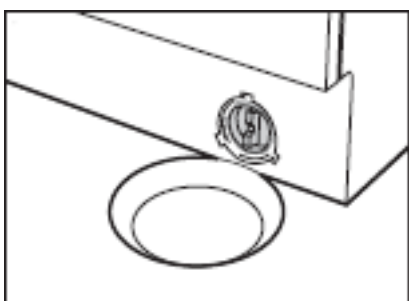


IMPORTANT: Switch off your washer dryer and disconnect the plug from your mains supply.

You should clean out the filter approximately every twenty washes. If the drain pump filter is not cleaned regularly, then your appliance may find it difficult to pump out water efficiently.



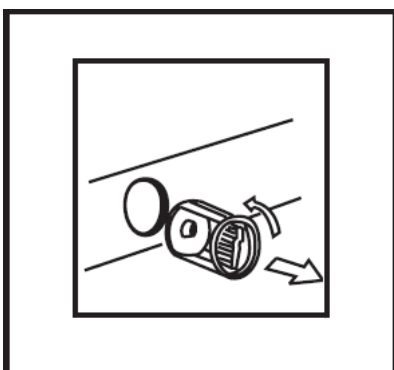
- Locate the drain pump filter in the bottom right hand corner of the appliance.



- Place a container under the drain pump filter, to collect any excess water that may come out of the drain pump when it is removed.



- Turn the filter a quarter turn anti clockwise, water will start to come out of the drain pump. Continue to turn the filter anti clockwise until you reach a half turn, more water will come out of the drain pump.



- When all the water has drained out of the washer dryer, turn the filter several times anti clockwise, until it can be removed completely.



- Remove the filter and rinse out the filter under the tap.
 - Remove any debris from the filter.
-
- Remove any debris that is in the area of the appliance that you removed the drain pump filter from.
 - Screw the filter clockwise back into position, making sure that it is fully tightened. You should keep turning until you cannot turn it any further.
 - **IMPORTANT: Do not perform this operation if the appliance has stuck on a cycle, until the water inside of the machine has cooled sufficiently. Otherwise the water that comes out of the drain pump filter may still be hot.**

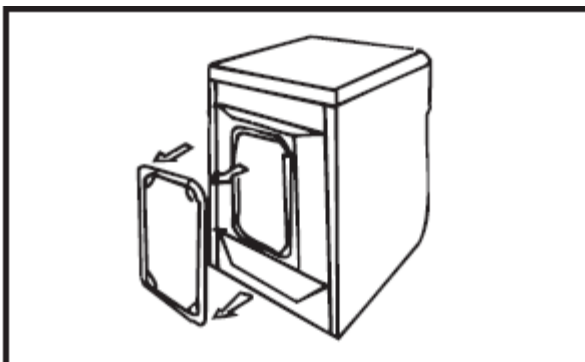
Installation



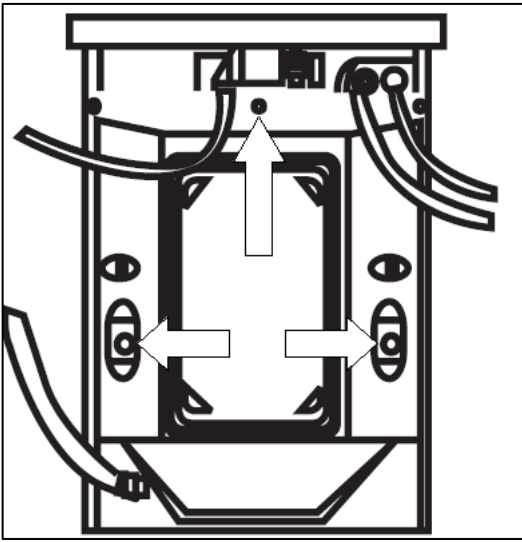
IMPORTANT: THIS INSTALLATION MUST BE COMPLETED BY A SUITABLY QUALIFIED PERSON. BAUMATIC ONLY SANCTION THE INSTALLATION GIVEN IN THIS INSTRUCTION MANUAL. YOU SHOULD KEEP THE TRANSIT PACKAGING, IN CASE YOU NEED TO TRANSPORT THE MACHINE IN THE FUTURE.

Unpacking the machine and removing the transit bolts

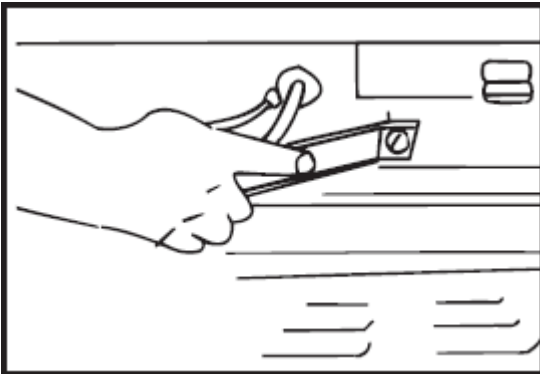
IMPORTANT: The transit bolts **MUST** be removed before your washer dryer is used for the first time.



- Remove the back plate from the rear of the appliance.

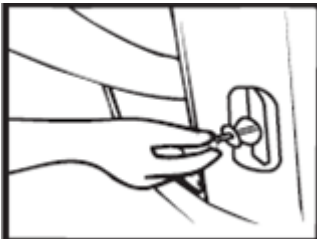


- The location of the three transit bolts are shown in the diagram opposite.



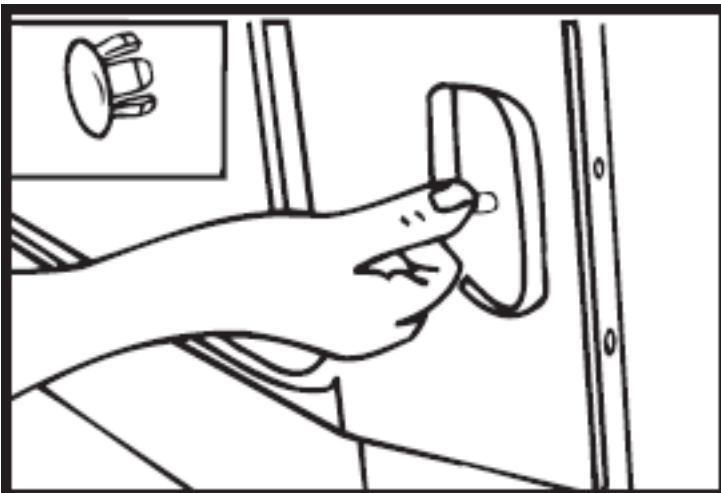
- You should use a spanner to loosen and remove the top transit bolt first.
- There is also a transit bar across the top of the appliance which should be removed.

- Use a spanner to loosen and remove the two remaining transit bolts.



- You should also remove the rubber grommets from the holes; these are exposed once the transit bolts are removed.

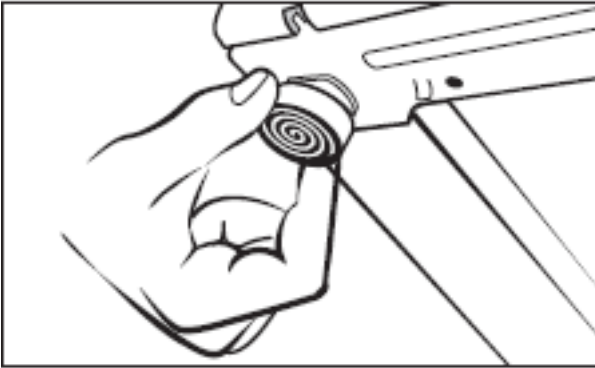
- Replace the back plate on the rear of the appliance.



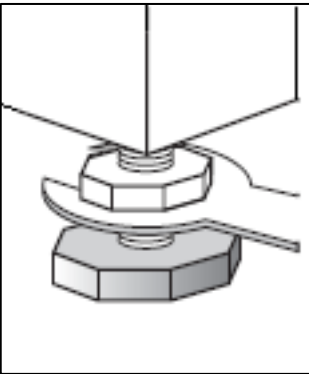
- Insert the plastic caps that are supplied, into the holes that you have removed the transit bolts from.

Positioning and levelling the appliance

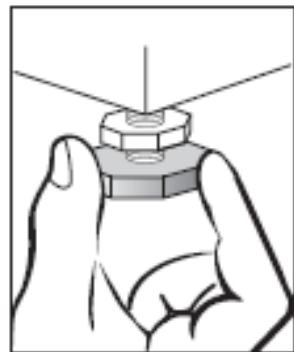
- ✓ Place the washer dryer on a solid and level floor surface.
- ✓ **DO NOT PLACE THE WASHER DRYER ON A CARPET.**



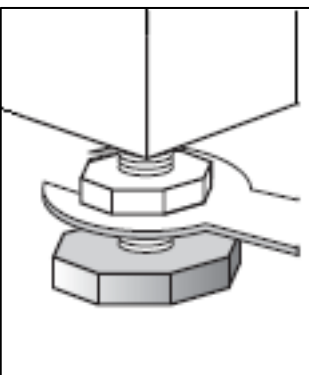
- ✓ Loosen the adjustable feet that are positioned on the base of the appliance.



- ✓ Slacken off the lock nut on each of the washer dryer feet using a spanner.



- ✓ Adjust the feet to level off the washer dryer.

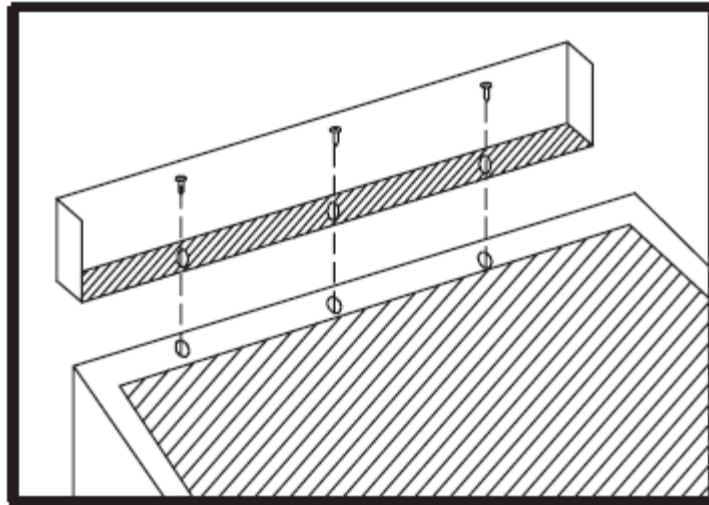


- ✓ Once levelled correctly, you should tighten the lock nut back up on each of the washer dryer feet using a spanner.

IMPORTANT: When the washer dryer is positioned in the location where it will be used. Make sure that all four feet are resting firmly on the floor, by pressing down on each corner and checking that the appliance stands still.

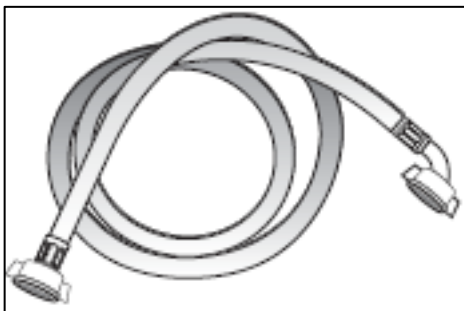
- If you are fitting the optional décor strip (see below). You should take into account the height that this will add to the appliance, when adjusting the levelling feet.

Fitting the décor strip

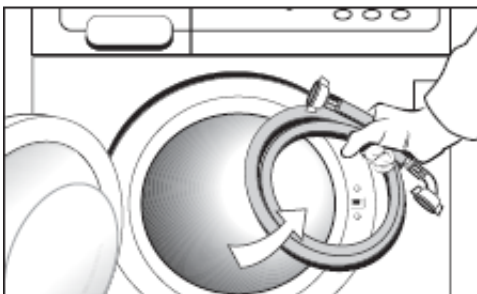


- Your appliance is supplied with an optional décor strip that can be fitted to the top of the appliance.
- ✓ You should screw the décor strip to the front edge of the appliance, using the screws provided.

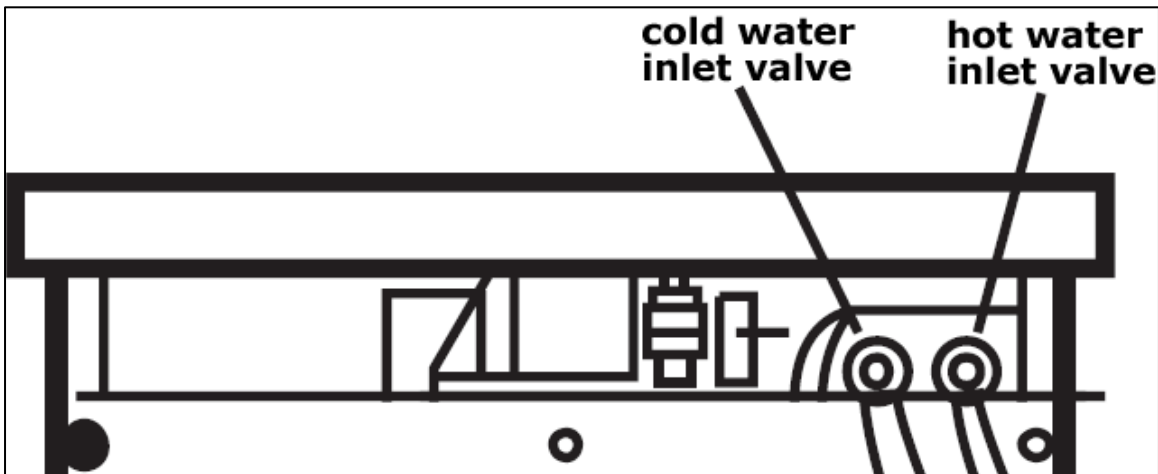
Connecting to the mains water supply



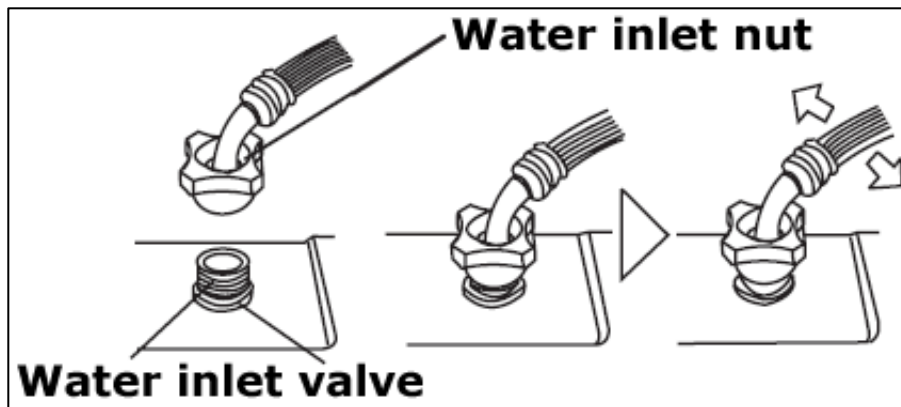
- Your appliance is a hot and cold fill machine. It is necessary to connect an inlet hose to the hot water inlet valve and the cold water inlet valve.



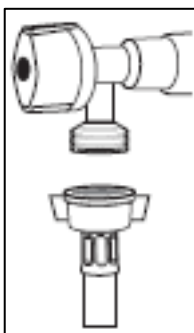
- The water inlet hoses will be inside the drum of your washer dryer, when you receive the appliance.



- When you are facing the **rear** of the appliance, you will see two water inlet valves next to each other. The cold water inlet valve is on the left hand side and the hot water inlet valve is on the right hand side.



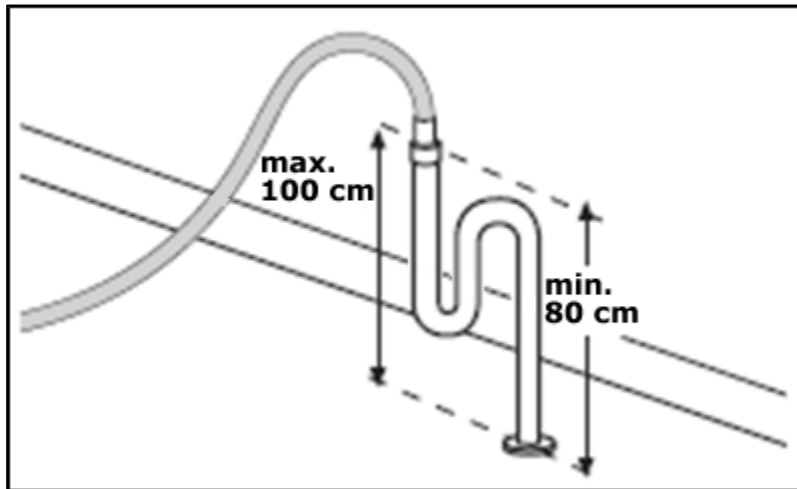
- ✓ Place the water inlet hose on the water inlet valve at the rear of the washer dryer.
- ✓ Connect and fully tighten the inlet hoses to the threaded inlet valve that is located at the rear of the washer dryer. On the end of the water inlet hoses there are connectors that have a nut on it, you should use these to secure the hoses.



- ✓ Connect the other end of the inlet hoses to your mains water supply
 - **IMPORTANT:** You must ensure that you connect the inlet hoses to the correct taps. The cold water inlet valve must be connected to your cold water tap. The hot water inlet valve must be connected to your hot water tap.
- If you only have a cold water supply available, you should connect the two hoses to the cold water outlet, by using a "Y" connection piece.

- ✓ **IMPORTANT:** There should be a filter sitting inside the end of the inlet hoses that connects to your mains water supply. The inlet hoses may leak if this filter is missing. This filter is supplied with the appliance, you should contact Baumatic to obtain one, if it is missing.
- ✓ Tighten the inlet hoses to your mains supply fully, but do not over tighten as this may distort the filter that sits in the end of the inlet hoses.
- ✓ Test for any leaks.

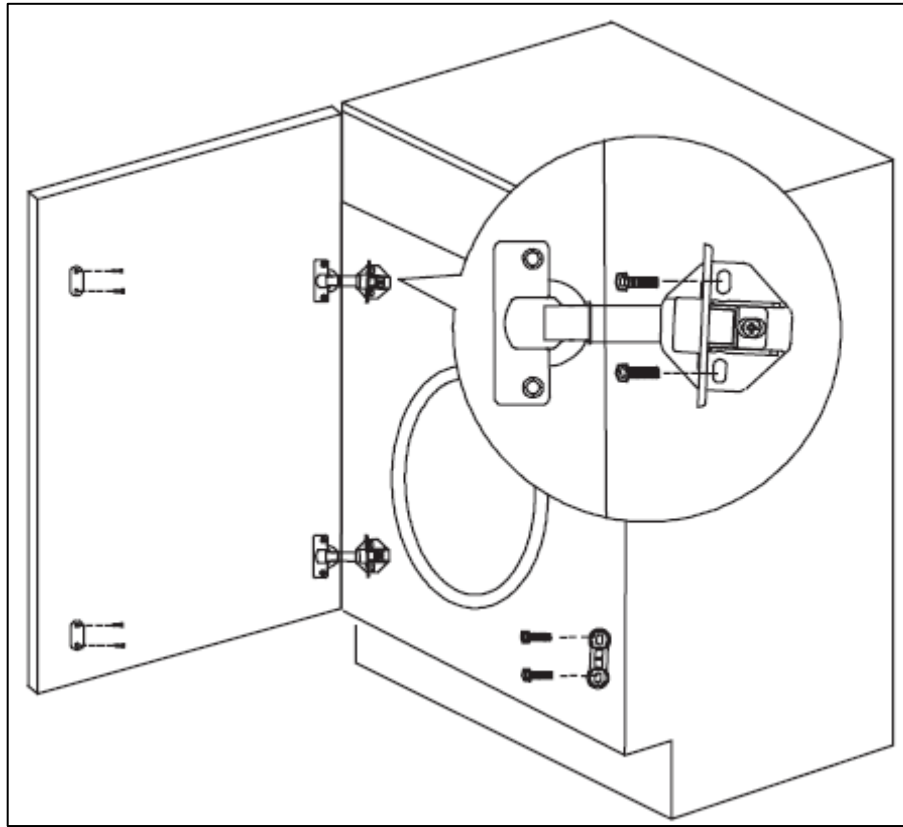
Water outlet



- ✓ Secure the drain hose, so that it cannot move whilst the washer dryer is in use.
- ✓ Place the end of the drain hose on your drain pipe. Push it a short way down into your drain pipe.
- ✓ **IMPORTANT:** Do not insert the drain hose too deeply into the water pipe, as this may cause siphoning.
- ✓ **NEVER EXTEND THE DRAINAGE HOSE FROM ITS ORIGINAL LENGTH.**

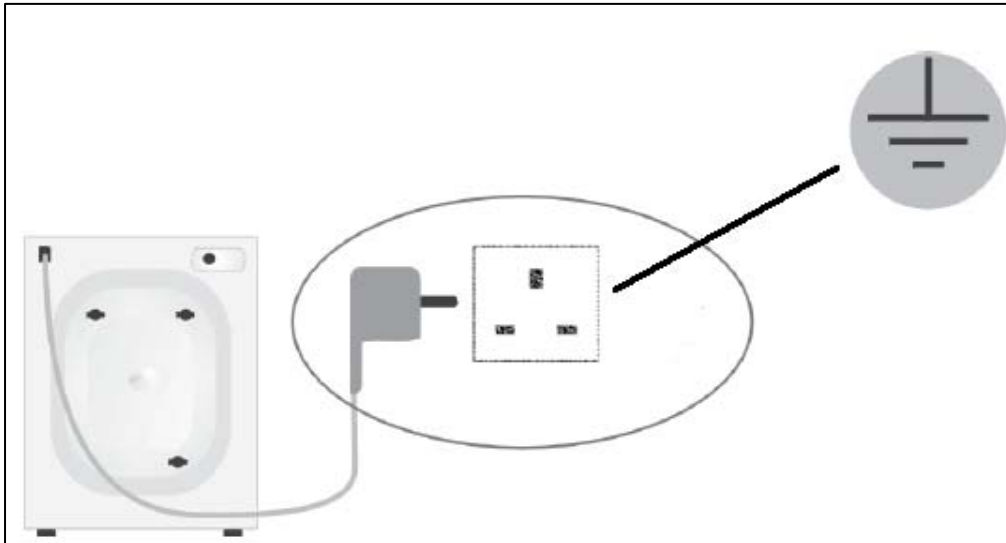
Fitting the furniture door

- Please refer to the building in template for instructions on how to fit your integrated appliance and connect the furniture door to the product.



- Mount the furniture door to the cabinet of the washer dryer, using the hinges supplied.
- Fix the magnet assembly to the front of the washer dryer and the furniture door.

Power supply



- ✓ **IMPORTANT:** As your appliance is a built in product, the electrical socket must still be accessible once the appliance is installed.
- ✓ Consult the rating plate, located on the back of the appliance **BEFORE** making the electrical connections. Ensure that the voltage reaching the plug is the same as that on the rating plate.
- ✓ **DO NOT REMOVE THE RATING PLATE AS THE INFORMATION ON IT IS IMPORTANT.**
- ✓ The moulded plug that is supplied with the appliance must be placed into an earthed and insulated socket.
- ✓ Broken or damaged power leads must only be replaced by a suitably qualified person. A power lead of a similar type must be used in replacement.
- ✓ Power lead type – H 0 V V – F 3G 1,5.
- ✓ **IMPORTANT:** We do not recommend that this appliance is connected to an extension lead.

Before first use maintenance wash

- When your washer dryer has been correctly installed, we recommend that you perform a maintenance wash cycle.
- This will check that all aspects of the installation are correct; it will also remove any deposits that may have been left on the drum by the manufacturing process.
- Select the intense 90°C wash program.
- A small quantity of detergent should be used during this maintenance wash.

Certificate of compliance

Compliance with the following Directives: 73/23/EEC, 89/336/EEC, 92/75/EEC

The Manufacturer declares that its product complies with the general safety, hygienic and environmental protection requirements pursuant to the European Community Directives and that the specific documents applicable to the said product, especially the European Community Declaration of Conformity issued by the manufacturer may be viewed in offices of the competent authorities and may be obtained through the Manufacturer.



You will be mine ...

United Kingdom

Baumatic Ltd.,
Baumatic Buildings,
6 Bennet Road,
Reading, Berkshire
RG2 0QX
United Kingdom

Sales Telephone

(0118) 933 6900

Sales Fax

(0118) 931 0035

Service Telephone

(0118) 933 6911

Service Fax

(0118) 986 9124

Spares Telephone

(01235) 437244

Technical Advice Telephone

(0118) 933 6933

E-mail:

sales@baumatic.co.uk
technical@baumatic.co.uk

Website:

www.baumatic.co.uk

Republic of Ireland

01- 6266 798

Czech Republic

Baumatic CR spol s.r.o.
Amperova 495
46215, Librec
Czech Republic

+420 800 185 263

www.baumatic.cz

Slovak Republic

Baumatic Slovakia, s.r.o.
Skultetyho 1
831 04 Bratislava 3
Slovakia

+421 255 640 618

Germany

Baumatic Gmbh
Janderstrasse 9
Mannheim, 68199
Germany

+4962 112 9190

www.baumatic.de

Italy

Baumatic Italia S.R.L.
Via Caltana 129
Campodarsego (Padova), 35011
Italy

+3904 9920 2297

www.baumatic.it

Holland

Baumatic Benelux B.V.
Grindzuigerstraat 22
1333 MS ALMERE
The Netherlands

+3136 549 1555

www.baumatic.nl



Baumatic®

www.baumatic.com