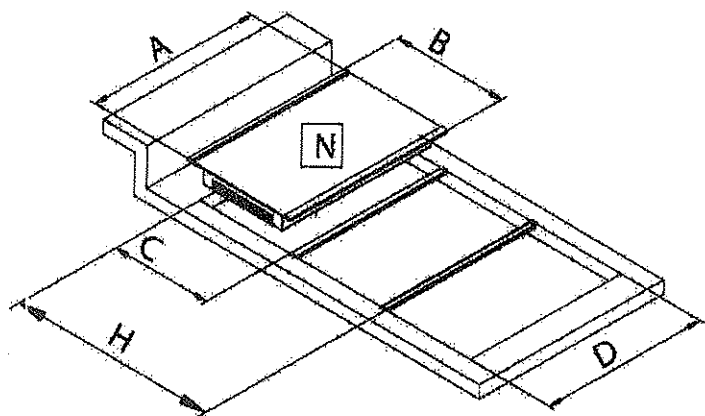
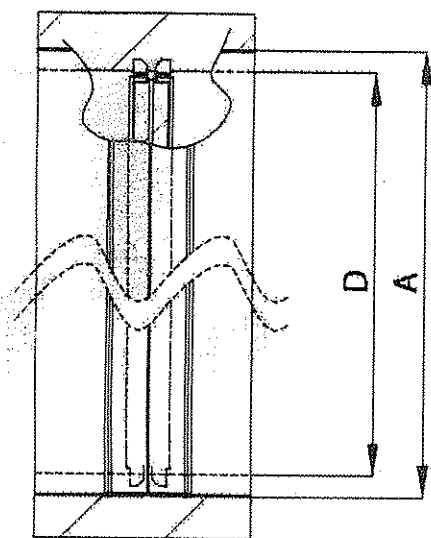
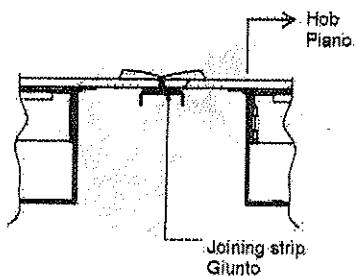


BPJS - Joining strip



$$A = [(N-1) 340] + 270$$

N= NUMBER OF HOBS TO COMBINED
NUMERO PIANI DA AFFIANCARE