

**BMC255SS 25 Litre  
built in microwave  
oven with grill**

**INSTRUCTION MANUAL**



# User Manual for your Baumatic

## BMC255SS

**25 Litre built in microwave oven  
with grill**



***NOTE: This User Instruction Manual contains important information, including safety & installation points, which will enable you to get the most out of your appliance. Please keep it in a safe place so that it is easily available for future reference; for you or any person not familiar with the operation of the appliance.***

# Contents

<b>Environmental note</b>	4
<b>Important safety information</b>	5 – 9
<b>Specifications</b>	9 - 12
Product dimensions	9
Aperture dimensions	9
Product specifications	9 - 10
Description of the appliance	10 - 11
Control panel	11
The turntable	12
<b>Using your microwave</b>	12 - 25
Setting the clock	12
Before first use	13
Cooking food (microwave mode)	13 - 14
During operation	14
Cooking food (grill/grill combi mode)	15 - 16
Automatic defrost programmes	16
Automatic cooking programmes	17 - 18
Setting multiple cooking phases	18
Setting a delay start	19
Safety lock	20
Microwave cooking guidelines	21
Materials you can use in a microwave oven	22
Materials not to be placed in a microwave oven	23
Utensils table	23
Defrosting guidelines	24
Defrosting table	25
<b>Cleaning and maintenance</b>	26 - 27
The appliance exterior	26
The appliance interior	26
Rotating plate and rotating base	26
General cleaning advice	26 - 27
<b>Installation</b>	27 – 31
Electrical connection	28
Aperture and ventilation requirements	29
Installing the microwave into the housing unit	30 - 31
<b>Troubleshooting</b>	31 - 33
<b>Contact details</b>	34

## Environmental note

**This appliance is marked according to the European directive 2002/96/EC on Waste electrical and Electronic Equipment (WEEE). By ensuring this product is disposed of correctly, you will help prevent potential negative consequences for the environment and human health, which could otherwise be caused by inappropriate waste handling of this product.**

The symbol  on the product, or on the documents accompanying the product, indicates that this appliance may not be treated as household waste. Instead it shall be handed over to the applicable collection point for the recycling of electrical and electronic equipment.

**Disposal must be carried out in accordance with local environmental regulations for waste disposal.**

**For more detailed information about treatment, recovery and recycling of this product, please contact your local city office, your household waste disposal service or the shop where you purchased the product.**



- The packaging materials that Baumatic uses are environmentally friendly and can be recycled.
- Please discard all packaging material with due regard for the environment.

## IMPORTANT SAFETY INFORMATION



Your safety is of the utmost importance to Baumatic. Please make sure that you read this instruction booklet **before** attempting to install or use the appliance. If you are unsure of any of the information contained in this booklet, please contact the Baumatic Advice Line.

### General Information

- This appliance is designed for domestic household use. It can **NOT** be used as a freestanding microwave and must be built in to a standard kitchen cabinet or housing unit (see the section entitled "Installation" below).
- You should only operate the appliance when the turntable and turntable support are in position.
- You should only use ovenware that is suitable for being used in a microwave.
- To prevent corrosion occurring due to moisture/condensation, the cavity and the door of the microwave should be wiped dry after each use of the appliance.
- The appliance must not be left unattended if you are heating or cooking food in containers that are made of paper, plastic or other flammable materials. If left unattended, they could pose a **fire hazard**.
- If you notice smoke coming from the appliance, you should keep the door of the microwave closed and then disconnect it from your mains supply. **DO NOT** use your microwave oven, if you think it is not operating correctly.

### Installation

- **IMPORTANT:** *Only the built in installation sanctioned by Baumatic and outlined in this manual should be followed.*
- A separate building in kit will be supplied with the microwave, to allow you to complete a built in installation.
- **IMPORTANT:** *The adjacent furniture or housing and all materials used in the installation **must** be able to withstand a minimum temperature of 85°C above the ambient temperature of the room it is located in, whilst in use.*

- Certain types of vinyl or laminate kitchen furniture are particularly prone to heat damage or discolouration at temperatures below the guidelines given above.
- Any damage caused by the appliance being installed in contravention of this temperature limit, or by placing adjacent cabinet materials closer than 4mm to the appliance, **will be the liability of the owner.**
- For use in **leisure accommodation vehicles**, please refer to the appropriate information given in the installation instructions for this appliance.
- The use of this appliance for any other purpose or in any other environment without the express agreement of Baumatic Ltd. will invalidate any warranty or liability claim.
- Your new appliance is guaranteed against electrical or mechanical defects, subject to certain exclusions that are noted in Baumatic's Conditions Of Guarantee. The foregoing does not affect your statutory rights.

## Service

- Your microwave complies with all relevant safety standards. In order for it to continue to operate safely, **only an engineer that is approved by the Baumatic Customer Care Department should work on the appliance.**
- **IMPORTANT:** *It is dangerous for a non qualified person to work on the appliance, in particular if they remove the cover that provides protection against exposure to microwave energy.*
- If you notice that the door seal, door surfaces, power cord and plug are damaged. You should stop using the appliance, disconnect it from the mains supply and contact the Baumatic Customer Care Department.
- Only genuine Baumatic spare parts should be fitted to your appliance. These can be obtained from the Baumatic Spares Department.

## Warning and safety instructions

- This appliance complies with all current European safety legislation. Baumatic do wish to emphasise that this compliance does not remove the fact that the appliance surfaces **will become hot during use and retain heat after operation.**

- DO NOT place anything between the door and the door frame.
- DO NOT store anything that is flammable inside of the microwave. When it is switched on, the items could catch fire.
- DO NOT switch the appliance on if there is no food or liquid inside of the microwave. If you run the microwave whilst it is empty, there is a chance that it will overload.
- The door seals and the door surfaces should ALWAYS be kept clean and free from debris.

### **Child Safety**

- Baumatic strongly recommend that babies and young children are prevented from being near to the appliance and not allowed to touch the appliance **at any time**.
- If it is necessary for younger family members to be in the kitchen, please ensure that they are kept under close supervision at all times.
- **IMPORTANT:** *This appliance should only be operated by adults. You SHOULD NOT allow young children to use the microwave without supervision. Older children should only operate the appliance if they have been thoroughly instructed on how to use the microwave and the consequences of improper usage.*

### **General Safety**

- **Do not** allow electrical fittings or cables to come into contact with areas on the appliance that get hot.
- **Do not** use the appliance to heat the room it is located in.
- **Do not** use the appliance to dry paper, textiles or animals.
- **Do not** install the appliance next to curtains or soft furnishings.
- **Do not** use the appliance to heat unopened bottles or cans etc.
- **Do not** heat cooking oil or liquid containing alcohol, as there is the chance of spontaneous combustion.
- **Do not** boil eggs or similar foods in their shells, otherwise they may burst. It is possible to poach eggs in your microwave, providing you prick the yolks first.

- **Do not** attempt to lift or move cooking appliances by using the oven door, as this may cause damage to the appliance or result in injury to the person lifting the appliance.

## Cleaning

- Cleaning of the oven should be carried out on a regular basis.
- Great care should be taken whilst using this appliance and when following the cleaning procedure.
- **IMPORTANT:** *The appliance must be disconnected from the mains before following the cleaning procedure.*

## Installation



***This appliance must be correctly installed by a suitably qualified person, strictly in accordance with the manufacturer's instructions.***

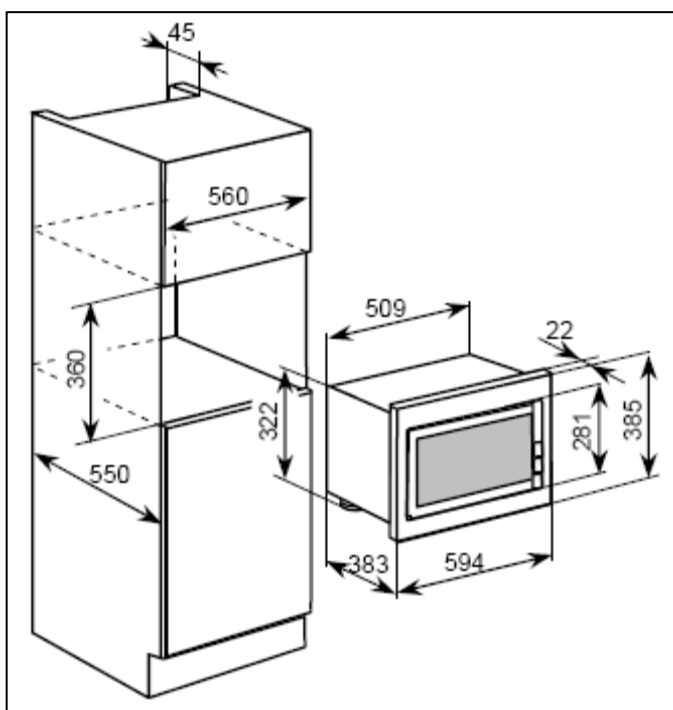
- ***Baumatic Ltd. declines any responsibility for injury or damage, to person or property, as a result of improper use or installation of this appliance.***
- Heat, steam and moisture will be created during use of the appliance, take care to avoid injury and ensure that the room is adequately ventilated. If the appliance is going to be used for prolonged periods of time, then additional ventilation may be required.
- Please consult with your qualified installer if you are in any doubt about the amount of ventilation that you will require.



## Declaration of conformity

- **CE:** Appliance conforming to the European directives 89/336/EEC, 93/68/EEC, 73/23/EEC and subsequent revisions and "RoHS" directive 2002/95/CE.\*
- The manufacturer declares that the oven is built using certified materials and requires the appliance to be installed in accordance with the standards currently in force. This appliance must be used by a trained person for domestic purposes only.
- \* The RoHS directive stands for "the restriction of the use of certain hazardous substances in electrical and electronic equipment". This directive bans the placing on the EU market of new electrical and electronic equipment containing more than the agreed levels of lead, cadmium, mercury, hexavalent chromium, polybrominated biphenyl (PBB) and polybrominated diphenyl ether (PBDE) flame retardants.

## Specifications



### Product dimensions

Height: 385 mm  
Width: 594 mm  
Depth: 383 mm

### Aperture dimensions

Height: 360 mm  
Width: 560 mm  
Depth: 550 mm

## Product specifications

- 5 power levels
- Push button control operation
- Safety lock
- Interior light
- LED display
- LED full programmer
- Defrosting by weight mode
- Grill mode
- Stainless steel exterior and interior
- Stainless steel frame
- Viewing window

- **Capacity:** 25 litres
- **Microwave output:** 800 W

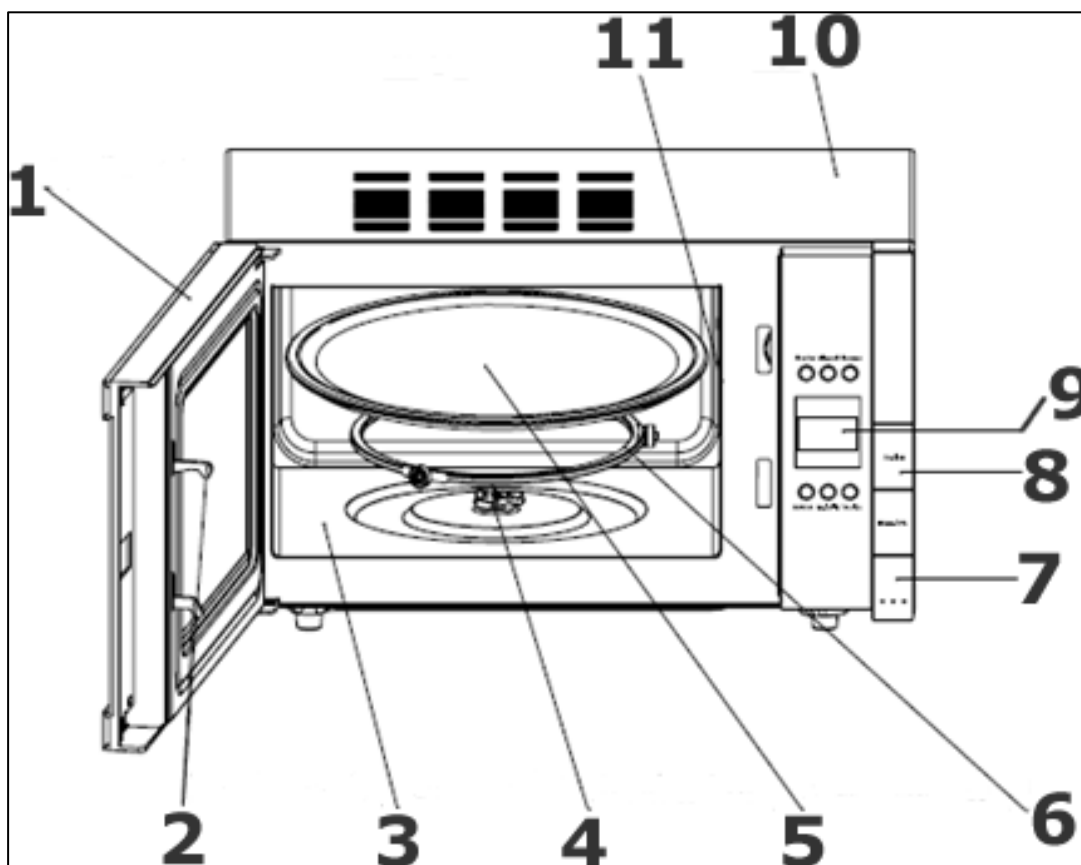
For future reference please record the following information which can be found on the rating plate and the date of purchase which can be found on your sales invoice. The rating plate for your oven can be located by opening the microwave oven door and looking on the right hand side of the chassis and/or on the rear of the appliance.

**Model Number** .....

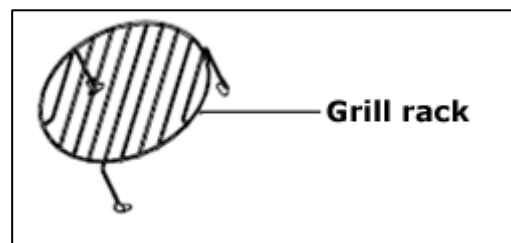
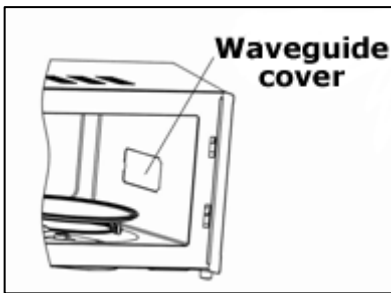
**Serial Number** .....

**Date of Purchase** .....

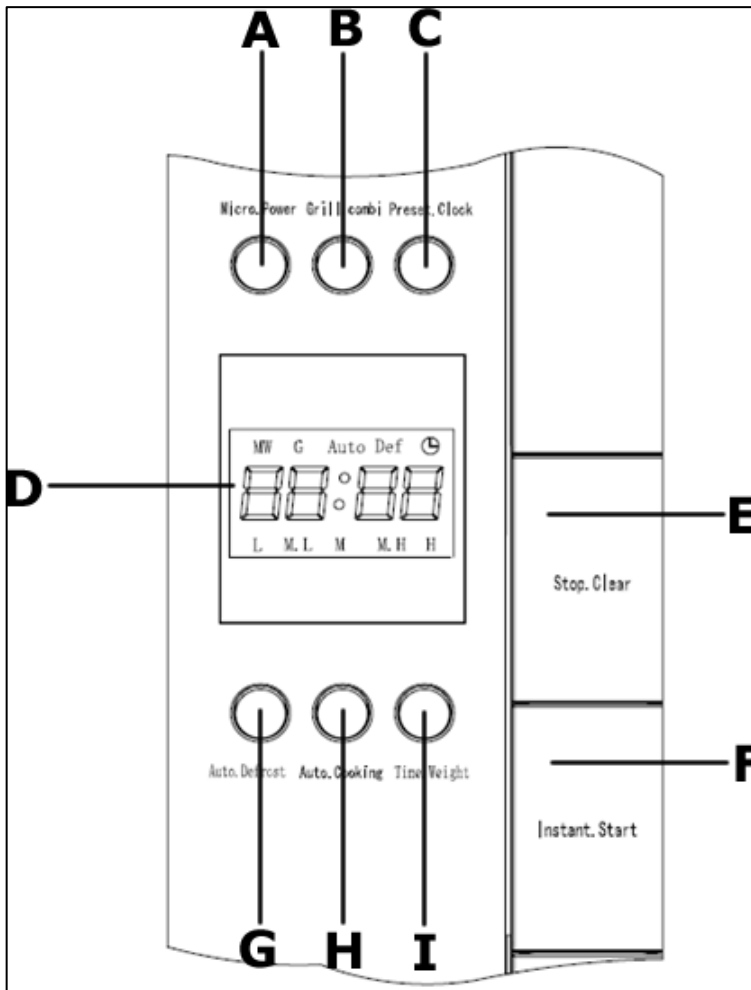
### Description of the appliance



- |                           |                       |
|---------------------------|-----------------------|
| 1) Microwave door         | 7) Door open button   |
| 2) Door catches           | 8) Control buttons    |
| 3) Cavity                 | 9) LED display        |
| 4) Slot for rotating base | 10) Microwave housing |
| 5) Rotating plate         | 11) Wave guide cover  |
| 6) Rotating base          |                       |



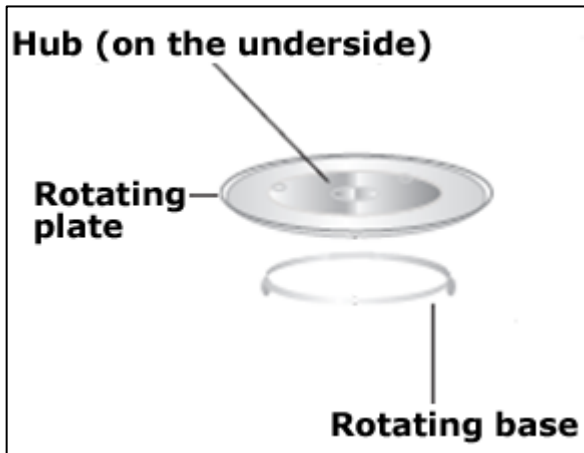
## Control panel



- A) Micro power button (power level button)
- B) Grill combi button
- C) Preset clock button (delayed start button)
- D) LED display
- E) Stop clear button
- F) Instant start button (start button)
- G) Auto defrost button
- H) Auto cooking button
- I) Time weight button

**NOTE:** To access the programming buttons, you need to open the microwave door by pressing the door open button (7).

## The turntable



- **Never** place the rotating plate upside down.
  - The rotating plate and rotating base **MUST** always be used during cooking.
  - All food and food containers must **ALWAYS** be placed on the rotating plate during cooking.
- 
- If the rotating plate or rotating base cracks or breaks, it must be replaced immediately. Genuine Baumatic parts can be obtained from the Baumatic Spares Department.

## Using your microwave

### Setting the clock

- When your microwave is connected to the power supply, you can set the clock to the correct time of day.
- The entire LED display will flash and then the ":" symbol on its own. You should press the preset clock button **(C)** to set the time of day. The appliance has a 24 hour clock.
- Press the time weight button **(I)** and the hour digits will start to flash. Continue to press the time weight button until the correct hour digit is displayed.
- Press the preset clock button again to confirm the hour time. The minute digits will start to flash. Continue to press the time weight button until the correct minute digit is displayed.
- Press the preset clock button for a third time to confirm the minute time. The digits on the LED display will stop flashing and the time of day is set.
- If you do not set the time of day, every time you connect your microwave to the power supply, you will need to press the stop clear button **(E)** once before you can use the microwave.

## Before first use

- To remove any residue from the oven that may have been left from the manufacturing process, you should place a cup that is half filled with water in the microwave.
- Set the microwave on its highest power level for 2 minutes.
- The oven cavity and outside of the appliance should be cleaned with warm soapy water, using either a sponge or soft cloth. No abrasive cleaners should be used. The appliance should be thoroughly dried afterwards.
- We would recommend that an appropriate stainless steel cleaner and polish is regularly used on the stainless steel surfaces of this appliance.

## Cooking food (microwave mode)

- Once the clock has been set, your microwave is then ready to use.
- Use the door open button **(7)** to open the door of the microwave.
- Check that the rotating plate and rotating base are correctly assembled in the cavity.
- Place whatever you are cooking in the centre of the microwave cavity and then press the micro power button **(A)** to set the required power level, 100P, 80P, 60P, 40P, 20P will appear on the LED display.

<b>LED Display</b>	<b>Microwave power level</b>	<b>Power level suitable for...</b>
100P	Full power (100%)	Meat and vegetables
80P	Medium/high power (80%)	Eggs, fish, congee, rice, soup
60P	Medium power (60%)	Steaming food
40P	Medium/low power (40%)	Defrosting food
20P	Low power (20%)	Keeping food warm

- Once the correct power level is displayed, press the time weight button **(I)** to set the cooking time. The maximum cooking time that can be set is 60 minutes.
- Close the microwave door. **IMPORTANT:** You should make sure that the door of the microwave is shut securely.

- Press the instant start button **(F)** and the microwave will start to heat.
- At the end of the cooking time, your microwave will give an audible signal and the LED display will show the word "END".
- The audible signal will be repeated every 3 minutes, until the stop clear button is pressed or the door is opened by pressing the door open button.
- **IMPORTANT:** *The inside of the microwave and the food that you have been cooking may be extremely hot. So care should be taken when removing items from the microwave. We would recommend that you use an oven glove.*
- After the food has been removed from the microwave, you should make sure that the door is closed.

### **During operation**

- To interrupt the cooking process to turn or stir the food, press the stop clear button **(E)** once.
- Press the door open button **(7)** to open the door of the microwave.
- Whilst the door is open, it is possible to stir the food stuffs that you are cooking or adjust its position on the rotating plate.
- To restart the cooking process, close the door and then press the instant start button once.
- If you wish to remove the food before the cooking time has completed, then press the stop clear button twice to cancel the cooking operation.

## Cooking food (grill/grill combi mode)



**IMPORTANT:** When using the grill and/or grill combi mode, the inside of the oven, grill rack and cooking containers may become extremely hot. **YOU MUST** use an oven glove when removing items from the cavity.

- Use the door open button **(7)** to open the door of the microwave.
- Check that the rotating plate and rotating base are correctly assembled in the cavity.
- Place whatever you are grilling in the centre of the microwave cavity on the grill rack.
- There is no need to preheat the cavity when using any of the grill modes.
- Press the grill combi button **(B)** and the LED display will show G, C1, C2.

<b>LED display</b>	<b>Description</b>	<b>Suitable for...</b>
G	Grill cooking only	Grilling and browning thin meats, pork, sausage and chicken wings.
C1	Grill and microwave cooking	The microwaves will penetrate thicker food, alternating with the grill element, which will brown and crisp off the food.
C2	Grill and microwave cooking	As C1, but the grill element remains on for longer periods of time.

- Once the correct grilling programme is displayed, press the time weight button **(I)** to set the cooking time. The maximum cooking time that can be set is 60 minutes.
- Close the microwave door. **IMPORTANT:** You should make sure that the door of the microwave is shut securely.
- Press the instant start button **(F)** and the microwave will start to heat.
- At the end of the cooking time, your microwave will give an audible signal and the LED display will show the word "END".

- The audible signal will be repeated every 3 minutes, until the stop clear button is pressed or the door is opened by pressing the door open button.

### **Automatic defrost programmes**

- Use the door open button **(7)** to open the door of the microwave.
- Check that the rotating plate and rotating base are correctly assembled in the cavity.
- Place whatever you are defrosting in the centre of the microwave cavity.
- Press the auto defrost button **(G)** and the LED display will show d.1, d.2, d.3.

<b>LED display</b>	<b>Defrost level suitable for...</b>	<b>Weight range (kg)</b>
d.1	Defrosting meat	0.1 – 2.0
d.2	Defrosting poultry	0.2 – 3.0
d.3	Defrosting seafood	0.1 – 0.9

- Once the correct defrost programme is displayed, press the time weight button **(I)** to set the weight of the food that you are defrosting.
- Close the microwave door. **IMPORTANT:** *You should make sure that the door of the microwave is shut securely.*
- Press the instant start button **(F)** and the microwave will start to defrost.
- At certain points in the defrosting process, the microwave will give an audible signal. When this occurs, you should open the door of the microwave and turn the food over.
- To restart the cooking process, close the door and then press the instant start button once.
- At the end of the defrosting time, your microwave will give an audible signal and the LED display will show the word "END".
- The audible signal will be repeated every 3 minutes, until the stop clear button is pressed or the door is opened by pressing the door open button.



## Automatic cooking programmes

- Use the door open button **(7)** to open the door of the microwave.
- Check that the rotating plate and rotating base are correctly assembled in the cavity.
- Place whatever you are cooking in the centre of the microwave cavity.
- Press the auto cooking button **(H)** and the LED display will show A.1 – A.8.

<b>LED display</b>	<b>Food group</b>	<b>Cooking guidance</b>	<b>Maximum weight</b>
A.1	Popcorn	Suitable for popping a bag of corn, which are available at supermarkets. If during cooking the popping speed slows to once every 1 – 2 seconds, press the stop clear button to end the process.	85 g
A.2	Popcorn	As A.1	100 g
A.3	Pizza	Suitable for warming a piece of chilled pizza.	150 g
A.4	Beverage	Use a cup with a large opening and DO NOT cover it.	250 ml
A.5	Beverage	As A.4	500 ml
A.6	Potato	Cut the potatoes into 5 cm <sup>3</sup> pieces. Place them into a large dish and put a suitable microwave cover over the dish.	450 g
A.7	Potato	As A.6	650 g
A.8	Fish	Wash the fish, remove the scales and make slits into the skin. Place the fish in a shallow dish and then season as required. Put a suitable microwave cover over the dish. After cooking, stand for 2 minutes.	450 g

- Close the microwave door. **IMPORTANT:** You should make sure that the door of the microwave is shut securely.
- The automatic cooking times are suitable for food that is stored at room temperature.
- The temperature, weight and shape of the food will all influence the final cooking results. It is possible to adjust the cooking times to suit personal preference.

- Press the instant start button **(F)** and the microwave will start the automatic cooking programme that you have selected.

### **Setting multiple cooking phases**

*It is possible to set the microwave to cook at different power levels within a single cooking time. A maximum number of 4 cooking phases can be set at once.*

- Press the micro power button **(A)** to set the required power level for the first cooking phase. 100P, 80P, 60P, 40P, 20P will appear on the LED display.
- Press the time weight button **(I)** to set the cooking time for the first cooking phase.
- It is possible to program a further 3 cooking phases by following the above two steps.
- When you have set the final cooking phase, press the instant start button **(F)** and the microwave will start the first cooking phase.
- When the first cooking phase has completed, it will automatically move onto the next cooking phase.
- At the end of all of the cooking phases, your microwave will give an audible signal and the LED display will show the word "END".
- The audible signal will be repeated every 3 minutes, until the stop clear button is pressed or the door is opened by pressing the door open button.
- After the food has been removed from the microwave, you should make sure that the door is closed.

## Setting a delay start

*This function will allow you to set a time in the future that the microwave will switch on at.*

- **IMPORTANT:** *You must make sure that the clock is set to the correct time before using this feature.*
- **IMPORTANT:** *It is not possible to set a delay start when using automatic cooking, automatic defrost or quick start.*
- Set the power level and cooking time (as described previously in this instruction manual).
- DO NOT press the instant start button **(F)** at this point, otherwise the microwave will start cooking immediately.
- Press and hold down the preset clock button **(C)** until you hear a brief audible signal.
- Press the time weight button **(I)** and the hour digits will start to flash. Continue to press the time weight button until the hour digit that you want the cooking to start at is displayed.
- Press the preset clock button again to confirm the hour time. The minute digits will start to flash. Continue to press the time weight button until the minute digit that you want the cooking to start at is displayed.
- Press the preset clock button for a third time to confirm the time of day that the microwave will start cooking at.
- When the time of day that you have programmed is reached, the microwave will beep twice and then the microwave will start cooking automatically.
- **IMPORTANT:** *If the microwave door is not shut when the time of day that you have programmed is reached, then cooking will not commence.*



**IMPORTANT:** *Although your microwave has a delay start feature, we do not recommend that the microwave is **EVER** programmed to switch on when it is unattended.*

## **Safety lock**

- When the microwave is not heating, it is possible to switch on the safety lock.
- Press and hold down the stop clear button **(E)** until the word "OFF" appears on the LED display.
- Until the safety lock is switched off, all control buttons on the microwave will be disabled.
- To switch off the safety lock, press and hold down the stop clear button until a ":" appears on the LED display.

## Microwave cooking guidelines

- If you are heating liquid in the microwave, then you must also place a teaspoon in the container. This will ensure that the liquid does not boil suddenly after being removed from the microwave cavity.
- This phenomenon is called “delayed boiling”, this means that a liquid can be close to boiling point, even if there is no steam coming off the liquid or the liquid is not bubbling. If the liquid container is even gently shaken, then the liquid can without warning boil over or even spurt. This could **scald the end user**.
- If the food you are cooking has a skin or peel (e.g. sausages, tomatoes, potatoes etc), then you should pierce the skin or peel with a fork. This will ensure that if steam is created during the heating process, it can escape and the food will not burst.
- When heating baby food, the bottle or jar containing the food should **NEVER** have a top or lid on. After cooking, to ensure that the food has been heated uniformly, you should stir or shake the food. **IMPORTANT:** *You must check the temperature of the food before feeding it to a child.*
- When heating food in a microwave, it will transmit the heat to the container that the food is in or on. You should **ALWAYS** use oven gloves when removing items from the microwave.
- You should make sure that you do not cook food for too long or at too high a power level. This could cause certain areas of the food to dry out or even ignite.
- You should not use ceramic or porcelain crockery, or porous earthenware inside of your microwave. These dishes could absorb moisture from the food whilst it is cooking, which could cause pressure to build up and shatter the dish.
- If you are heating certain foods and any liquid, moisture will evaporate and condensation may occur. This does not indicate that the appliance is faulty and it can be particularly noticeable if the ambient temperature of the room is high.
- **IMPORTANT:** *Any condensation should be wiped up with a soft cloth as soon as you have finished using the microwave.*
- After the cooking time has completed, you should let the food stand for a few minutes. This is called “standing time” and will allow the heat generated by the microwave to spread evenly throughout the food.

## Materials you can use in a microwave oven

<b>Material</b>	<b>Remarks</b>
Aluminium foil	To be used for shielding only. Small smooth pieces can be used to cover thin parts of meat or poultry to prevent overcooking. Arcing can occur if foil is too close to the cavity walls. The foil should be at least 2.5 cm away from the cavity walls.
Browning dish	Follow the manufacturer's instructions. The bottom of the browning dish must be at least 5 mm thick above the turntable. Incorrect usage may cause the turntable to break.
Dinnerware	Microwave-safe only. Follow the manufacturer's instructions. Do not use cracked or chipped dishes.
Glass jars	Always remove the lid. Use only to heat food until just warm. Most glass jars are not heat resistant and may break.
Glassware	Heat-resistant oven glassware only. Make sure there is no metallic trim. Do not use cracked or chipped dishes.
Oven cooking bags	Follow the manufacturer's instructions. Do not close with a metal tie. Make slits in the bag to allow steam to escape.
Paper plates and cups	Use for short-term cooking/warming only. Do not leave the oven unattended whilst cooking.
Paper towels	Use to cover food for reheating and absorbing fat. Use under supervision and for short-term cooking only.
Parchment paper	Use as a cover to prevent splattering or as a wrap for steaming
Plastic	Microwave-safe only. Follow the manufacturer's instructions. It should be labelled as "microwave safe". Some plastic containers soften as the food inside gets hot. "Boiling bags" and tightly closed plastic bags should be slit, pierced or vented, as described by the package.
Plastic wrap	Microwave-safe only. Use to cover food during cooking to retain moisture. Do not allow the plastic wrap to touch the food.
Thermometers	Microwave-safe only. Meat and candy thermometers.
Wax paper	Use as a cover to prevent splattering and to retain moisture.

## Materials not to be placed in a microwave oven

<b>Material</b>	<b>Remarks</b>
Aluminium tray	May cause arcing. Transfer food into a microwave-safe dish.
Food carton with metal handle	May cause arcing. Transfer food into a microwave-safe dish.
Metal or metal-trimmed utensils	Metal shields the food from microwave energy. The metal trim may cause arcing.
Metal twist ties	May cause arcing and could cause a fire in the oven.
Paper bags	May cause a fire in the oven.
Plastic foam	Plastic foam may melt or contaminate the liquid inside when exposed to a high temperature.
Wood	Wood will dry out when used in the microwave oven and may split or crack.

## Utensils table

<b>Cookware</b>	<b>Microwave</b>	<b>Grill</b>	<b>Combination*</b>
Heat-resistant glass	Yes	Yes	Yes
Non heat-resistant glass	No	No	No
Heat-resistant ceramics	Yes	Yes	Yes
Microwave-safe plastic dish	Yes	No	No
Kitchen paper	Yes	No	No
Metal tray	No	Yes	No
Metal rack	No	Yes	No
Aluminium foil and foil containers	No	Yes	No

\* Combination mode applies to microwave + grill mode.

## Defrosting guidelines

- Only use microwave-safe dishes for defrosting (porcelain, glass, suitable plastic).
- The defrosting time depends on the quantity and weight of the food that you are defrosting. When freezing, you should split the food into quantities that are suitable for defrosting in the microwave.
- Distribute the food as evenly as possible within the microwave cavity. The thickest parts of fish or chicken legs should be placed on top.
- The thicker parts of the food should be turned around several times during the defrosting process.
- Foods that are rich in fats, such as butter, cottage cheese and cream should not be entirely defrosted. If they are at room temperature, they will be ready to serve within a few minutes. If cream are deep frozen and little bits of ice remain on the top of it, the cream should be whipped before eating.
- Bread should be wrapped in a napkin so that it does not get too dry when being defrosted.
- Remove frozen food from its packaging and do not forget to remove any metal clips. If the containers are suitable for placing in a freezer and a microwave, then you can simply remove the lid.
- The liquid that is created during the defrost process, particularly in the case of poultry should be discarded. Under no circumstances should it come into contact with other foods.
- A resting period is required when defrosting food, to ensure that the food is totally defrosted. This normally takes between 15 – 20 minutes.



## Defrosting table

<b><i>Food type</i></b>	<b><i>Defrosting guidance</i></b>
Steaks/chops	<ul style="list-style-type: none"> <li>- Shield the thin end of the meat with foil.</li> <li>- Position the food in a single layer on a shallow dish, with the thinner part of the meat in the centre.</li> <li>- If pieces are stuck together, try to separate them as quickly as possible.</li> <li>- When prompted, turn the food over and then shield the sections that have already defrosted with foil.</li> <li>- After the defrost time, leave the meat covered with aluminium foil for 5 – 15 minutes.</li> </ul>
Minced beef	<ul style="list-style-type: none"> <li>- Place the frozen minced beef on a shallow dish, shielding the edges with foil.</li> <li>- When prompted, turn the food over and remove the defrosted portions. Turn over and shield the edges with foil.</li> <li>- After the defrost time, leave the mince covered with aluminium foil for 5 – 15 minutes.</li> </ul>
Roast meat (beef, lamb, pork)	<ul style="list-style-type: none"> <li>- Place the joint with the lean side facing upwards on a shallow dish, shielding the edges with foil strips.</li> <li>- When prompted, turn the food over and then shield the sections that have already defrosted with foil.</li> <li>- After the defrost time, leave the meat covered with aluminium foil for 10 – 30 minutes.</li> </ul>
Poultry	<ul style="list-style-type: none"> <li>- Remove the poultry from its original packaging. Place it on a shallow dish, shielding the wing and leg tips with foil.</li> <li>- When prompted, turn the food over and then shield the sections that have already defrosted with foil.</li> <li>- After the defrost time, leave the poultry covered with aluminium foil for 15 – 30 minutes.</li> <li>- After standing time, run under cold water to remove the giblets (if necessary).</li> </ul>
Chicken pieces (wings or drumsticks)	<ul style="list-style-type: none"> <li>- Place the chicken on a shallow dish, shielding the exposed bone with foil.</li> <li>- When prompted, turn the food over and then shield the sections that have already defrosted with foil.</li> <li>- After the defrost time, leave the chicken pieces covered with aluminium foil for 5 – 30 minutes.</li> </ul>



***Cleaning operations must only be carried out when the oven is cool.***

***The appliance should be disconnected from your mains supply before commencing any cleaning process.***

### **The appliance exterior**

- You should wipe over the front of the appliance with a soft cloth and warm water mixed with a little washing up liquid.
- ***DO NOT*** use abrasive cleaners or sharp objects to clean the front surface of the microwave.

### **The appliance interior**

- You should wipe over the inside of the appliance with a soft cloth and warm water mixed with a little washing up liquid.
- You should pay particular attention to the door seal and the surrounding area.
- ***DO NOT*** use abrasive cleaners or sharp objects to clean the inside of the microwave.

### **Rotating plate and rotating base**

- The rotating plate and rotating base should be removed from the microwave for cleaning purposes after each use.
- Clean the rotating plate and rotating base in warm water mixed with a little washing up liquid.

### **General cleaning advice**

- ***IMPORTANT:*** Any condensation should be wiped up with a soft cloth as soon as you have finished using the microwave.
- To remove odours from inside of the microwave, you should boil one cup of water mixed with several tablespoons of lemon juice inside of the cavity.

- The microwave should be thoroughly cleaned before it is operated for the first time and after each use. This will avoid residual food stuffs becoming baked on the oven cavity. After residues have been baked on several times, they are far more difficult to remove.
- **Never** clean the oven surfaces by steam cleaning.
- We would recommend that an appropriate stainless steel cleaner and polish is regularly used on the stainless steel surfaces of this appliance.
- If you use any form of oven cleaner on your appliance, then you must check with the manufacturer of the cleaner that it is suitable for use on your appliance.
- ***Any damage that is caused to the appliance by a cleaning product will not be fixed by Baumatic free of charge, even if the appliance is within the guarantee period.***

## Installation



***The installation must be carried out by a suitably qualified person, in accordance with the current version of the following.***

- UK Regulations and Safety Standards or their European Norm Replacements.
- ***Building Regulations*** (issued by the Department of the Environment).
- ***Building Standards*** (issued by the Scottish Development Department).
- ***IEE Wiring Regulations.***
- ***Electricity At Work Regulations.***

### Electrical connection



***YOUR MICROWAVE IS INTENDED FOR FITTED AND PERMANENT INSTALLATION.***

- Before connecting the appliance, make sure that the supply voltage marked on the rating plate corresponds with your mains supply voltage.
- We recommend that the appliance is connected by a qualified electrician, who is a member of the N.I.C.E.I.C. and who will comply with the I.E.E. and local regulations.

- **WARNING: THIS APPLIANCE MUST BE EARTHED.**
- This appliance is supplied with a moulded plug, which must be connected to an earthed socket.
- If in future you need to change the fuse in this plug, then a 13 amp ASTA approved (BS 1362) fuse **must** be used.
- If the earthed socket is not accessible after the appliance is installed. Then the microwave must be wired into a 13 A double pole switched fused spur outlet, having 3 mm contact separation and placed in an easily accessible position adjacent to the appliance. The spur outlet must still be accessible even when your microwave is located in its housing.
- The wiring in the mains lead is coloured as follows:

<b>Brown</b>	Live
<b>Blue</b>	Neutral
<b>Green and yellow</b>	Earth

- As the colours of the wires in the appliance's mains lead may not correspond with the coloured markings identifying the terminals in your spur box, please proceed as follows:

The **brown wire** must be connected to the terminal marked "L" (live), or coloured **red**.

The **blue wire** must be connected to the terminal marked "N" (neutral), or coloured **black**.

The **green and yellow wire** must be connected to the terminal marked "E" (earth), or by the earth symbol, or coloured **green and yellow**.

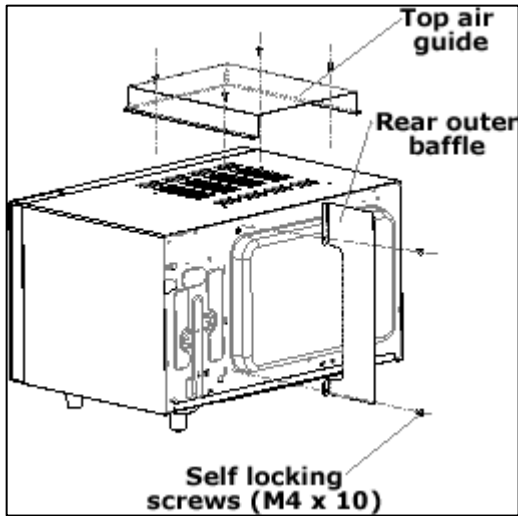
- When the connection is completed, no stray strands or cut wire should be present. The cord clamp must be secured over the outer sheath.
- Broken or damaged power leads must only be replaced by a suitably qualified person. A power lead of a similar type must be used in replacement.



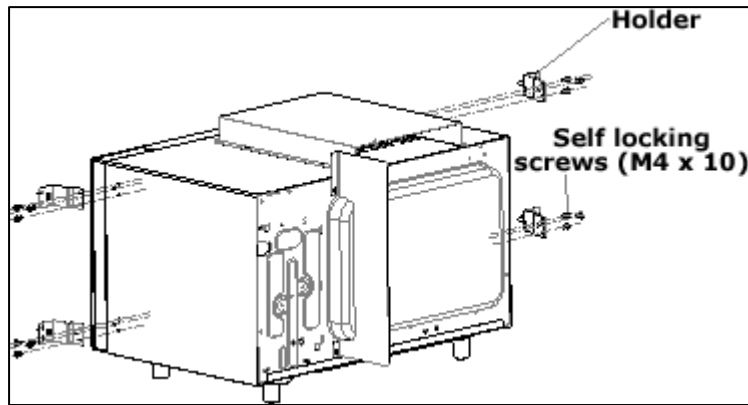
**Before beginning to install your appliance, check that there is no sign of damage (on the inside or the outside of the microwave), and that there are no packing materials or accessories inside the cavity. Remove any protective film on the microwave.**



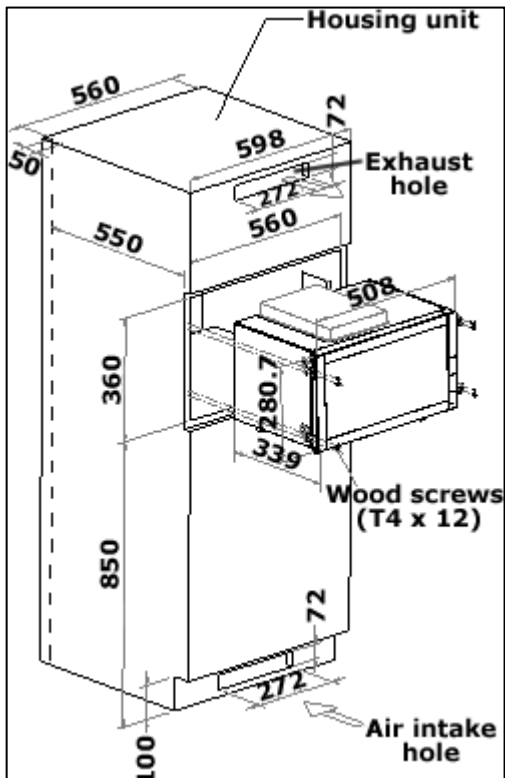
## Installing the microwave into the housing unit



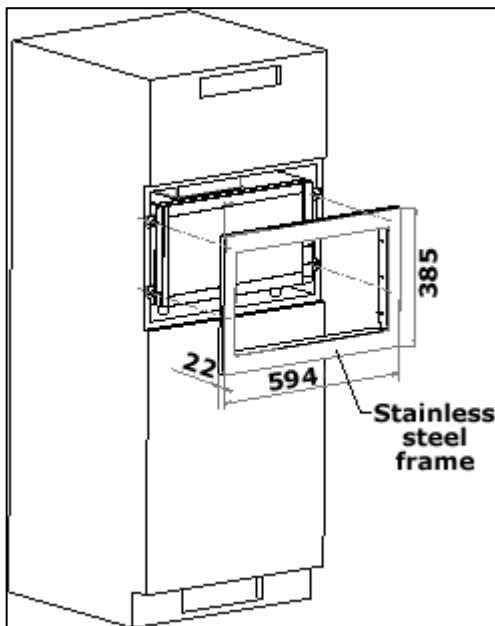
- Secure the top air guide onto the top of the microwave housing (as shown in the diagram opposite).
- Secure the rear outer baffle onto the back of the microwave housing, using the 6 x self locking screws (as shown in the diagram opposite).



- Secure the holders onto each side of the microwave housing, using the 12 x self locking screws (as shown in the diagram opposite).



- Place the microwave into the housing unit and then fix it into position using the 8 x wood screws (as shown in the diagram opposite).



- Secure the stainless steel frame onto the holders on the front of the microwave to complete the installation.

## Troubleshooting

- ***The microwave will not switch on.***
  - \* Check that the appliance has been connected to the mains supply correctly.
  - \* Check that the fuse in the moulded plug has not blown.
  - \* Check that the fuses in your fuse box have not blown.
  - \* If fuses blow on a regular basis, then we would recommend that you consult with a qualified electrician.
  - \* Check that there has not been a power cut.
- ***The microwave will not start cooking.***
  - \* Check that the door is properly shut.
  - \* Check that the door seal and surrounding area are clean.
- ***The turntable is not turning.***
  - \* Check that the rotating base is connected to the drive motor correctly.
  - \* Check that the ovenware is not larger than the rotating plate.
  - \* Check that the food you are cooking does not extend beyond the rotating plate.
- Check that there is nothing underneath the rotating base that is preventing it from turning.

- ***The microwave does not switch off.***
  - \* Isolate the microwave from your mains supply and then contact the Baumatic Customer Care Department.
  
- ***The interior light bulb is not working.***
  - \* Call the Baumatic Customer Care Department. The interior light bulb can only be replaced by a trained service technician.
  
- ***My food is not cooking properly.***
  - \* Check that the power level and cooking time that you have set, is appropriate for the food that you are cooking.
  - \* If you are cooking a double amount of food, then you will normally need to almost double the cooking time.
  - \* If the food that you have placed in the cavity is colder than normal, then the power level and cooking time may need to be increased.
  
- ***I am getting condensation in my oven.***
  - \* Steam and condensation are a natural by product of cooking in a microwave.
  - \* Do not leave food in the oven to cool after it has been cooked and the oven has been switched off.
  - \* Use a covered container, where practical, when cooking to reduce the amount of condensation that forms.
  - \* You should wipe over any condensation that has formed, as soon as the food has stopped cooking.





***IMPORTANT: If your appliance appears not to be operating correctly, then you should disconnect it from your mains supply and then contact Baumatic Customer Care on telephone number (0118) 933 6911.***

***DO NOT ATTEMPT TO REPAIR THE APPLIANCE YOURSELF.***

Please note that if an engineer is asked to attend whilst the product is under guarantee and finds that the problem is not the result of an appliance fault, then you may be liable for the cost of the call out charge.

***The appliance must be accessible for the engineer to perform any necessary repair. If your appliance is installed in such a way that an engineer is concerned that damage will be caused to the appliance or your kitchen, then he will not complete a repair.***

***This includes situations where appliances have been tiled in, sealed in with sealant, have wooden obstructions placed in front of the appliance, like plinths. Or any installation other than the one specified by Baumatic Ltd. has been completed.***

Please refer to the conditions of guarantee that appear on the warranty card that you receive with the appliance.

***IMPORTANT: Baumatic Ltd. operates a policy of continuous improvement and reserves the right to adjust and modify its products without prior notification.***

**United Kingdom**

Baumatic Ltd.,  
Baumatic Buildings,  
6 Bennet Road,  
Reading, Berkshire  
RG2 0QX  
United Kingdom

**Sales Telephone**

(0118) 933 6900

**Sales Fax**

(0118) 931 0035

**Customer Care Telephone**

(0118) 933 6911

**Customer Care Fax**

(0118) 986 9124

**Spares Telephone**

(01235) 437244

**Advice Line Telephone**

(0118) 933 6933

**E-mail:**

sales@baumatic.co.uk  
customercare@baumatic.co.uk  
spares@baumatic.co.uk  
technical@baumatic.co.uk

**Website:**

www.baumatic.co.uk

**Republic of Ireland****Service Telephone**

1-890 812 724

**Spares Telephone**

091 756 771

**Czech Republic**

Baumatic CR spol s.r.o.  
Průmyslová zóna Sever 696  
460 11 Liberec 11  
Czech Republic

+420 483 577 200

www.baumatic.cz

**Slovakia**

Baumatic Slovakia, s.r.o.  
Galvániho 7/D  
Slovakia

+421 255 640 618

**Germany**

Baumatic GmbH  
Lilienthalstrasse 1  
320 52 Herford  
Deutschland

+49 5221 694 99-0

www.baumatic.de

**Italy**

Baumatic Italia S.R.L.  
Via Galvani N.3  
35011 Campodarsego (PD)

+3904 9920 2297

www.baumatic.it

**Holland**

Baumatic Benelux B.V.  
Grindzuigerstraat 22  
1333 MS ALMERE  
Nederland

+3136 549 1555

www.baumatic.nl



