

**BO905SS 60 cm Built in
electric double oven**

INSTRUCTION MANUAL



User Manual for your Baumatic

BO905SS 60 cm Built in double electric oven



NOTE: This User Instruction Manual contains important information, including safety & installation points, which will enable you to get the most out of your appliance. Please keep it in a safe place so that it is easily available for future reference; for you or any person not familiar with the operation of the appliance.

Contents

Environmental note	4
Important safety information	5 – 7
Specifications	8 – 11
Product and aperture dimensions	8
Product specifications	8 – 9
Electrical details	9
Cooling fans	9
Control panel	10
Oven programmer/timer	11
Initial set up of your oven	11 - 12
Setting the time of day	11
Before first use	11 - 12
Timer functions	12 – 17
The minute minder function (main oven and top oven)	12 - 13
The semi-automatic cooking function (main oven only)	13 - 14
The end of cooking function (main oven only)	14 - 15
The automatic cooking function (main oven only)	15 – 16
Cancelling the semi-automatic and automatic function	16
Cancelling the minute minder function	16
Adjusting the volume of the audible signal	16 - 17
Changing the time of day	17
Using your oven	17 - 22
Selecting an oven function	17
Main oven functions	17 - 18
Thermostat control knob (main and top oven)	19
Oven operating light (main and top oven)	19
Cooking guidelines	19 – 21
Using the grill	21
Warnings	22
Cleaning and maintenance	23 – 26
Removing the side racks	24
Replacing the oven bulb (main oven)	24 - 25
Replacing the oven bulb (secondary oven)	25
Removing the oven door for cleaning	26
Installation	27 - 33
Electrical connection	27 – 28
Connecting the mains supply cable	29
Replacing the mains supply cable	30
Positioning the appliance	31
Ventilation requirements	32
Installing the oven into the housing unit	33
My appliance isn't working correctly	33 - 35
Contact details	36

Environmental note

This appliance is marked according to the European directive 2002/96/EC on Waste electrical and Electronic Equipment (WEEE). By ensuring this product is disposed of correctly, you will help prevent potential negative consequences for the environment and human health, which could otherwise be caused by inappropriate waste handling of this product.

The symbol  on the product, or on the documents accompanying the product, indicates that this appliance may not be treated as household waste. Instead it shall be handed over to the applicable collection point for the recycling of electrical and electronic equipment.

Disposal must be carried out in accordance with local environmental regulations for waste disposal.

For more detailed information about treatment, recovery and recycling of this product, please contact your local city office, your household waste disposal service or the shop where you purchased the product.



- The packaging materials that Baumatic uses are environmentally friendly and can be recycled.
- Please discard all packaging material with due regard for the environment.

IMPORTANT SAFETY INFORMATION



Your safety is of the utmost importance to Baumatic. Please make sure that you read this instruction booklet **before** attempting to install or use the appliance. If you are unsure of any of the information contained in this booklet, please contact the Baumatic Advice Line.

General Information

- This appliance is designed for domestic household use and can be built into a standard kitchen cabinet or housing unit.
- **IMPORTANT:** *The adjacent furniture or housing and all materials used in the installation **must** be able to withstand a minimum temperature of 85°C above the ambient temperature of the room it is located in, whilst in use.*
- Certain types of vinyl or laminate kitchen furniture are particularly prone to heat damage or discolouration at temperatures below the guidelines given above.
- Any damage caused by the appliance being installed in contravention of this temperature limit, or by placing adjacent cabinet materials closer than 4mm to the appliance, **will be the liability of the owner.**
- The use of this appliance for any other purpose or in any other environment without the express agreement of Baumatic Ltd. will invalidate any warranty or liability claim.
- Your new appliance is guaranteed against electrical or mechanical defects, subject to certain exclusions that are noted in Baumatic's Conditions Of Guarantee. The foregoing does not affect your statutory rights.
- **Repairs may only be carried out by Baumatic service engineers or their authorised service agent.**

Warning and safety instructions

- This appliance complies with all current European safety legislation. Baumatic do wish to emphasise that this compliance does not remove the fact that the appliance surfaces **will become hot during use and retain heat after operation.**

Child Safety

- Baumatic strongly recommend that babies and young children are prevented from being near to the appliance and not allowed to touch the appliance **at any time**.
- If it is necessary for younger family members to be in the kitchen, please ensure that they are kept under close supervision at all times.

General Safety

- **Do not** place heavy objects on the oven door or lean on the oven door when it is open, as this can cause damage to the oven door hinges.
- **Do not** leave heated oil or fat unattended, as this is a fire risk.
- **Do not** place pans or baking trays directly on the base of the oven cavity, or line it with aluminium foil.
- **Do not** allow electrical fittings or cables to come into contact with areas on the appliance that get hot.
- **Do not** use the appliance to heat the room it is located in or to dry clothing.
- **Do not** install the appliance next to curtains or soft furnishings.
- **Do not** attempt to lift or move cooking appliances by using the oven door or handle, as this may cause damage to the appliance or result in injury to the person lifting the appliance.

Cleaning

- Cleaning of the oven should be carried out on a regular basis.
- Great care should be taken whilst using this appliance and when following the cleaning procedure.
- **IMPORTANT:** The appliance must be disconnected from the mains before following the cleaning procedure.

Installation



This appliance must be correctly installed by a suitably qualified person, strictly in accordance with the manufacturer's instructions.

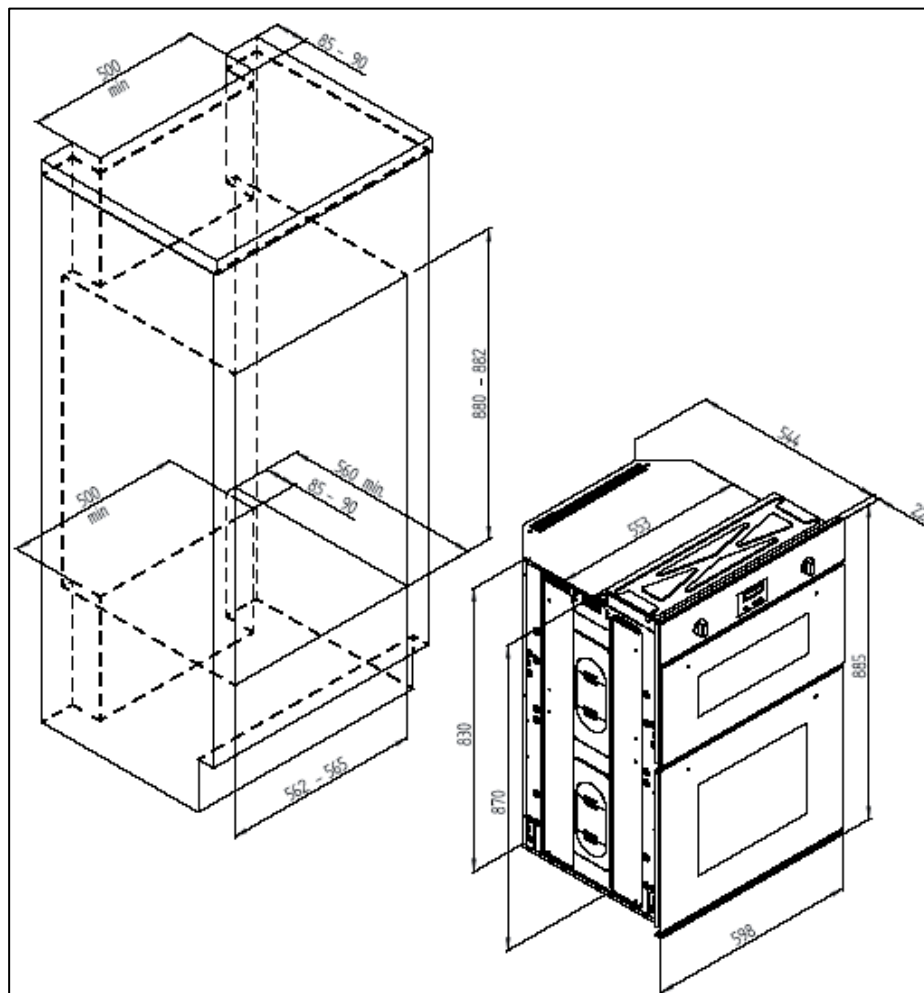
- ***Baumatic Ltd. declines any responsibility for injury or damage, to person or property, as a result of improper use or installation of this appliance.***
- Heat, steam and moisture will be created during use of the appliance, take care to avoid injury and ensure that the room is adequately ventilated. If the appliance is going to be used for prolonged periods of time, then additional ventilation may be required.
- Please consult with your qualified installer if you are in any doubt about the amount of ventilation that you will require.

Declaration of conformity.

- In the parts destined to come into contact with foodstuffs, this appliance is in accordance with the requirements of the EC directive 89/109 transposed in the Italian Legislative Decree No. 108 of 25/01/92.
 - **CE:** Appliance conforming to the European directives 89/336/EEC, 93/68/EEC, 73/23/EEC and subsequent revisions and "RoHS" directive 2002/95/CE.*
 - The manufacturer declares that the oven is built using certified materials and requires the appliance to be installed in accordance with the standards currently in force. This appliance must be used by a trained person for domestic purposes only.
- * The RoHS directive stands for "the restriction of the use of certain hazardous substances in electrical and electronic equipment". This directive bans the placing on the EU market of new electrical and electronic equipment containing more than the agreed levels of lead, cadmium, mercury, hexavalent chromium, polybrominated biphenyl (PBB) and polybrominated diphenyl ether (PBDE) flame retardants.

Specifications

Product and aperture dimensions



Product Dimensions

Height: 885 mm
Width: 598 mm
Depth: 566 mm
(incl. 22 mm front fascia depth)

Aperture Dimensions

Height: 800 - 882 mm
Width: 562 - 565 mm
Depth: 560 mm (min)

Product specifications

- **Energy efficiency class: A/A**
- LED full programmer
- 2 x cooling fans
- Triple-glazed removable doors
- Thermostatically controlled grills
- WipeClean enamelled cavities

- **Main oven:**
- 9 functions
- Gross oven capacity: 68 litres

- Net oven capacity: 61 litres
- **Secondary oven:**
- 4 functions
- Gross oven capacity: 38 litres
- Net oven capacity: 30 litres

Standard accessories

- 2 x Enamelled baking trays with handle
- 3 x Safety shelves
- 2 x Trivets
- Removable chrome side racks
- Removable roof liner (main oven only)
- BPS2 Pizza stone

Optional extras

- SCL1KIT Stayclean liners (main oven only)

Electrical details

Rated Voltage:	220 - 240 V~ 50/60 Hz
Supply Connection:	20 A (double pole switched fused outlet with 3mm contact gap)
Max Rated Inputs:	4.40 kW
Mains Supply Lead:	3 x 2.5 mm ²
Oven Light Bulb:	25 W/300°C screw type pigmy

Cooling fans

- Two tangential cooling fans are fitted inside of these appliances, to make the internal temperature of the oven stable and the external surface temperature lower.
- After you have finished cooking and switched off the oven, the cooling fan will continue to run for a period of time afterwards. The length of time will depend on how long the oven has been switched on for and at how high a temperature.

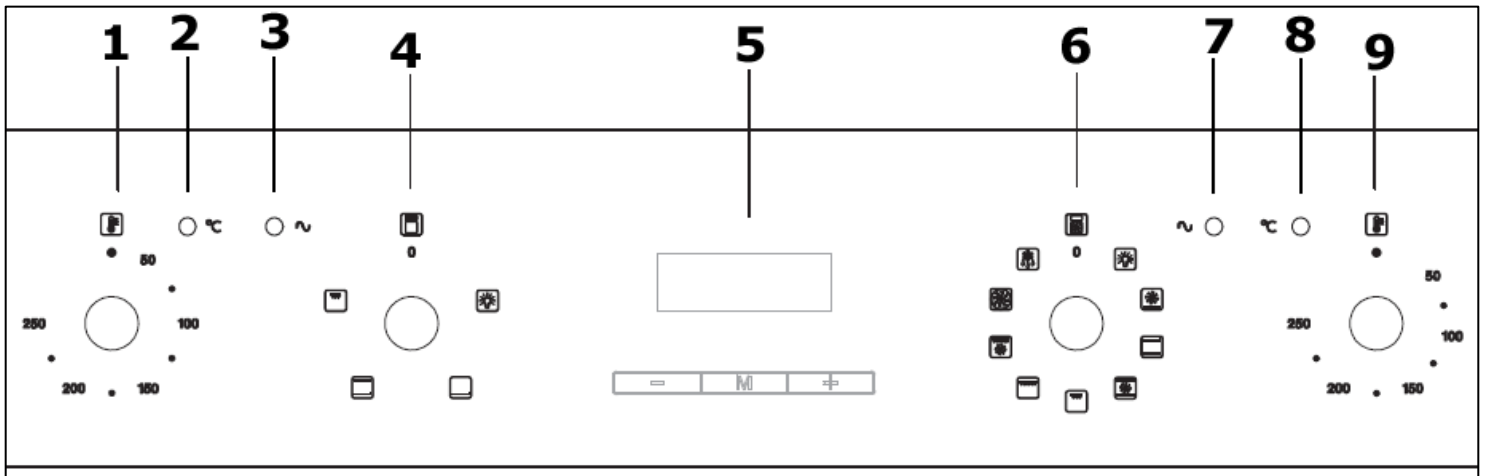
For future reference please record the following information which can be found on the rating plate and the date of purchase which can be found on your sales invoice. The rating plate for your oven can be located by opening the main oven door and looking on the right hand side of the oven chassis.

Model Number

Serial Number

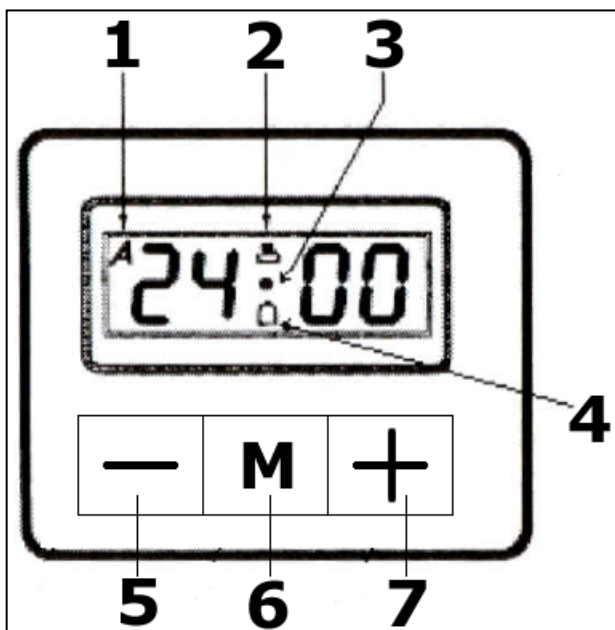
Date of Purchase

Control Panel



- 1) Top oven thermostat control knob
- 2) Top oven operating light
- 3) Top oven power indicator light
- 4) Top oven function selector knob
- 5) Oven programmer/timer
- 6) Main oven function selector knob
- 7) Main oven power indicator light
- 8) Main oven operating light
- 9) Main oven thermostat control knob

Oven programmer/timer



- 1 = Automatic cooking symbol
- 2 = Oven in use symbol
- 3 = Decimal point symbol
- 4 = Minute minder symbol
- 5 = Minus button
- 6 = Programme button
- 7 = Plus button

Initial set-up of your oven

Setting the time of day

After your appliance is connected to your mains supply for the first time, you must set the time of day before you can use the oven.

- When the oven is connected to your mains supply for the first time (or after a power cut), the digits on the LED display and the automatic cooking symbol **(1)** will flash.
- Press and hold down the programme button **(6)** for a couple of seconds. The automatic cooking symbol will go out and the digits will remain steady.
- Whilst the decimal point symbol **(3)** is flashing, use the plus **(7)** and minus **(5)** buttons to set the correct time of day.
- When the correct time of day is shown on the LED display, release the plus and minus buttons and wait a few seconds. The decimal point symbol will stop flashing and the oven is ready to use.

Before first use

- To remove any residue from the oven cavities that may have been left from the manufacturing process, you should select the fan oven function for the main oven and the conventional oven function for the top oven. Separately set each oven to its maximum temperature setting.

- It is perfectly normal for a smell to be produced during this process.
- You should make sure that any windows in the room are left open during this process.
- It is advisable for you not to remain in the room whilst the burning off process is taking place.
- You should leave each oven on maximum setting for 30 – 40 minutes.
- ***IMPORTANT: You should not burn off both ovens simultaneously.***
- After the oven cavities have cooled, they should then be cleaned with warm soapy water, using either a sponge or soft cloth. No abrasive cleaners should be used.
- Outer parts of the oven should be cleaned with warm soapy water, using either a sponge or soft cloth. No abrasive cleaners should be used.
- We would recommend that an appropriate stainless steel cleaner and polish is regularly used on the stainless steel surfaces of this appliance.

Timer functions

The minute minder function (main oven and top oven)

The minute minder function is a countdown time that can be set on the oven programmer/timer. When the countdown time has finished, an audible signal will sound.

- Press and hold down the programme button **(6)** until the decimal point starts to flash to enter programming mode.
- Use the plus **(7)** and minus **(5)** buttons to set the countdown time that you require.
- The maximum countdown time that can be set is 23 hours and 59 minutes.
- When the correct countdown time appears on the LED display, release the plus and minus buttons and the countdown will start immediately.

- The oven in use symbol **(4)** will appear on the LED display to show that a countdown time is in progress.
- After a few seconds the LED display will return to showing the time of day.
- At the end of the countdown time, an audible signal will sound and the oven in use symbol will go out. The audible signal will sound for 7 minutes before switching off or you can silence it by pressing any of the oven programmer/timer buttons.
- **IMPORTANT:** *If either of the ovens are in use whilst using the minute minder function, they WILL NOT switch off at the end of the countdown time. YOU MUST turn the relevant oven function selector knob and the thermostat control knob to their OFF positions.*

The semi-automatic cooking function (main oven only)

This function will allow you to set a countdown time similar to the minute minder function, however the oven will switch off at the end of the cooking time.

- Place the food that you want to cook inside of the oven and close the door.
- Select an oven function and cooking temperature using the relevant control knobs.
- Press and hold down the programme button **(6)** until the decimal point starts to flash to enter programming mode, the oven in use symbol **(4)** will appear on the LED display.
- Release the programme button and then press it again. The automatic cooking symbol **(1)** will flash and "dur" will appear briefly on the LED display before showing "0.00".
- Use the plus **(7)** and minus **(5)** buttons to set the cooking time that you require.
- The maximum countdown time that can be set is 10 hours.
- When the correct countdown time appears on the LED display, release the plus and minus buttons. Cooking will begin immediately, after a few seconds the countdown time will start.
- The automatic cooking symbol and the oven in use symbol **(2)** will appear on the LED display.

- At the end of the cooking time, an audible signal will sound and the automatic cooking symbol will flash on the LED display.
- To reset the oven and cancel the audible alarm, press the programme button until the oven in use symbol appears on the LED display and the automatic cooking symbol goes out.
- **IMPORTANT:** *If you have not turned the main oven function selector knob and main oven thermostat control knob to their OFF positions, when you reset the oven it will continue to heat.*

The end of cooking function (main oven only)

This function is similar to the semi-automatic function, however instead of setting a countdown time, you select the time of day that you want the oven to switch off at.

- Place the food that you want to cook inside of the oven and close the door.
- Select an oven function and cooking temperature using the relevant control knobs.
- Press and hold down the programme button **(6)** until the decimal point starts to flash to enter programming mode, the minute minder symbol **(4)** will appear on the LED display.
- Release the programme button and then press it again. The automatic cooking symbol **(1)** will flash and "dur" will appear on the LED display.
- Release the programme button and then press it for a third time, "end" will appear briefly on the LED display before showing "0.00".
- Use the plus **(7)** and minus **(5)** buttons to set the time of day that you want the oven to switch off at.
- The maximum countdown time that can be set is 10 hours.
- When the correct time of day appears on the LED display, release the plus and minus buttons. Cooking will begin immediately, after a few seconds the countdown time will start.
- The automatic cooking symbol and the oven in use symbol **(2)** will appear on the LED display.
- At the end of the cooking time, an audible signal will sound and the automatic cooking symbol will flash on the LED display.

- To reset the oven and cancel the audible alarm, press the programme button until the oven in use symbol appears on the LED display and the automatic cooking symbol goes out.
- **IMPORTANT:** *If you have not turned the main oven function selector knob and main oven thermostat control knob to their OFF positions, when you reset the oven it will continue to heat.*

The automatic cooking function (main oven only)

This function will allow you to set the time of day that you want the oven to switch off at and how long you want the oven to cook for.

- Place the food that you want to cook inside of the oven and close the door.
- Select an oven function and cooking temperature using the relevant control knobs.
- Press and hold down the programme button **(6)** until the decimal point starts to flash to enter programming mode, the minute minder symbol **(4)** will appear on the LED display.
- Release the programme button and then press it again. The automatic cooking symbol **(1)** will flash and "dur" will appear briefly on the LED display before showing "0.00".
- Use the plus **(7)** and minus **(5)** buttons to set the cooking time that you require.
- The maximum countdown time that can be set is 10 hours.
- When the correct countdown time appears on the LED display, release the plus and minus buttons.
- **IMMEDIATELY** press the programme button, "end" will appear briefly on the LED display before showing "0.00".
- Use the plus **(7)** and minus **(5)** buttons to set the time of day that you want the oven to switch off at.
- The automatic cooking symbol and the time of day will appear on the LED display.
- The appliance will automatically calculate what time of day it needs to switch the oven on at, so that it runs for the cooking time that you set.

- When the oven switches on, the oven in use symbol **(2)** will appear on the LED display, as well as the automatic cooking symbol.
- At the end of the cooking time, an audible signal will sound and the automatic cooking symbol will flash on the LED display.
- To reset the oven and cancel the audible alarm, press the programme button until the oven in use symbol appears on the LED display and the automatic cooking symbol goes out.
- **IMPORTANT:** *If you have not turned the main oven function selector knob and main oven thermostat control knob to their OFF positions, when you reset the oven it will continue to heat.*

Cancelling the semi-automatic and automatic function

- Press and hold down the minus **(5)** and plus **(7)** button simultaneously, until the automatic cooking symbol **(1)** goes out and the oven in use symbol **(2)** is lit.
- **IMPORTANT:** *If you have not turned the main oven function selector knob and main oven thermostat control knob to their OFF positions, when you reset the timer function, it will continue to heat.*

Cancelling the minute minder function

- Press and hold down the programme button **(6)** until the decimal point starts to flash to enter programming mode.
- Press and hold down the minus **(5)** and plus **(7)** buttons simultaneously.
- The minute minder symbol **(4)** will go out.
- **IMPORTANT:** *If you have not turned the main oven function selector knob and main oven thermostat control knob to their OFF positions, when you reset the timer function, it will continue to heat.*

Adjusting the volume of the audible signal

The volume of the audible signal has 3 levels, low, medium and high. To adjust the volume, you should proceed as follows:-

- **IMPORTANT:** *The oven timer/programmer must not be in any form of countdown mode and the oven in use symbol **(2)** must be lit.*

- Press and hold down the minus **(5)** and plus **(7)** buttons simultaneously until the decimal point starts to flash.
- Press the programme button **(6)** and the LED display will show “n” followed by a number. 1 is the loudest volume, 2 is the middle volume and 3 is the quietest volume.
- Use the minus button to select the volume level that you desire.

Changing the time of day

- **IMPORTANT:** *The oven timer/programmer must not be in any form of countdown mode and the oven in use symbol **(2)** must be lit.*
- Press and hold down the minus **(5)** and plus **(7)** buttons simultaneously until the decimal point starts to flash.
- Release these buttons and then use the minus and plus buttons to alter the time of day.

Using your oven

Selecting an oven function

The main and top oven function selector knobs should be used to select the particular mode of cooking that you require. The appliance will utilise different elements within the oven cavity, depending on the oven function that you select. When a function is selected, the relevant power indicator light will come on and the oven light.

Main oven functions



OVEN LIGHT: Separate light control which allows the light to be switched on, even when the oven is not in use.



FAN OVEN: This method of cooking uses the circular element while the heat is distributed by the fan. This results in a faster and more economical cooking process. The fan oven allows food to be cooked simultaneously on different shelves, preventing the transmission of smells and tastes from one dish onto another.



GRILL MODE: This method of cooking utilises the inner sections of the top element, which directs heat downwards onto the food. This function is suitable for grilling portions of bacon, toast and meat etc.



DEFROST MODE: The fan runs without heat to reduce the defrosting time of frozen foods. The time required to defrost the food will depend on the room temperature, the quantity and type of food. Always check food packaging for the defrosting instructions.



CONVENTIONAL OVEN: This method of cooking provides traditional cooking, with heat from the top and lower elements. This function is suitable for roasting and baking on one shelf only.



FULL GRILL: This method of cooking utilises the inner and outer parts of the top element, which directs heat downwards onto the food. This function is suitable for grilling medium or large portions of sausages, bacon, steaks, fish etc.



CONVECTION OVEN AND FAN: This method of cooking provides traditional cooking with heat from the top and the lower element, it also utilises the circulation fan. This ensures a fast and even distribution of the heat. Suitable for light and delicate baking, such as pastries.



FAN AND GRILL: This method of cooking utilises the top element in conjunction with the fan, which helps to provide a quick circulation of heat. This function is suitable where quick browning is required and "sealing" the juices in, such as steaks, hamburgers, some vegetables etc.



FAN AND LOWER ELEMENT: This method of cooking utilises the bottom element in conjunction with the fan, which helps to circulate the heat. This function is suitable for sterilizing and preserving jars.

Top oven functions



OVEN LIGHT: Separate light control which allows the light to be switched on, even when the oven is not in use.



LOWER ELEMENT ONLY: This method of cooking uses the lower element to direct heat upward to the food. This function is suitable for slow-cooking recipes or for warming up meals.

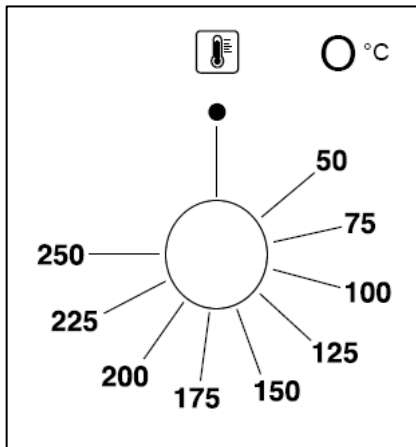


CONVENTIONAL OVEN: This method of cooking provides traditional cooking, with heat from the top and lower elements. This function is suitable for roasting and baking on one shelf only.



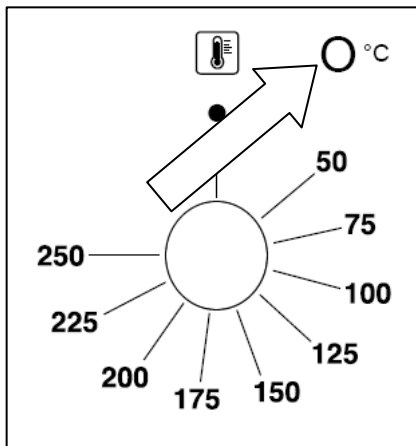
GRILL MODE: This method of cooking utilises the inner sections of the top element, which directs heat downwards onto the food. This function is suitable for grilling portions of bacon, toast and meat etc.

Thermostat control knob (main and top oven)



The oven thermostat control knobs set the required temperature of the relevant oven cavity. It is possible to regulate the temperature within a range of 50 - 250°C.

Oven operating light (main and top oven)



These lights will come on to indicate that the relevant oven's heating elements are in operation. The light will turn off when the temperature set on the thermostat control knob has been reached. It will cycle on and off throughout the cooking time.

You should not place food inside the cavity, until the correct cooking temperature has been reached.



Cooking guidelines

- Please refer to the information given on food packaging for guidance on cooking temperatures and times. Once familiar with the performance of your appliance, temperatures and times can be varied to suit personal preference.
- When using the fan oven function you should follow the information given on the food packaging for this particular mode of cooking.
- You should pre-heat the oven and not place food inside of it until the oven operating light has gone off. You can choose not to pre-heat when using the fan oven mode; however you should extend

the cooking time given on the food packaging by at least ten minutes.

- **IMPORTANT:** You should ALWAYS pre-heat the oven if you are baking.
- If there is no guidance given on the food packaging specifically for cooking in fan oven mode, you can generally reduce the cooking time and temperature by 10% from the information given for conventional oven cooking.
- Make sure that frozen foods are thoroughly thawed before cooking, unless the instructions on the food packaging advise that you can “cook from frozen”.
- Before cooking, check that any accessories that are not required are removed from the oven.
- Place cooking trays in the centre of the oven and leave gaps between the trays to allow air to circulate.
- Try to open the door as little as possible to view the dishes.
- The oven light will remain on during cooking.
- For general cooking guidelines please see the tables below:

Main Oven:

Food Type	Dish	Cooking function	Cooking temperature	Cooking time (hrs:mins)
FLANS 	Cannelloni	Fan oven	180°C	0.45
	Lasagne	Conventional oven + fan	180°C	0.50
	Quiche	Fan oven	180°C	0.50
	Potato casserole	Fan oven	180°C	0.50
	Vegetable casserole	Fan oven	180°C	0.50
FISH 	Sea Bream	Centre grill	180°C	0.25
	Salmon Fillet	Conventional oven	180°C	0.30
	Tuna Fillet	Conventional oven	180°C	0.35
	Trout Fillet	Conventional oven	180°C	0.25
	Mullet	Centre grill	180°C	0.25
BREAD/ PIZZA 	Savoury focaccia	Fan oven	220°C	0.20
	Bread	Conventional oven + fan	180°C	0.40
	Pizza	Conventional oven + fan	230°C	0.25

	Savoury tart	Fan oven	200°C	0.30
	Pizza roll	Fan oven	200°C	0.20
MEAT 	Roast pork	Conventional oven + fan	180°C	1.40
	Roast veal	Conventional oven + fan	180°C	1.55
	Roast chicken	Conventional oven + fan	180°C	1.05
	Meat loaf	Fan oven	170°C	1.30
	Beef fillet	Conventional oven + fan	200°C	0.35
	Spare ribs	Centre grill + fan	200°C	0.40

Top Oven:

Dish	Cooking function	Cooking temperature	Cooking time (hrs:mins)
Chicken	Conventional oven	180	0.45
Roast veal	Conventional oven	180	1.30
Victoria cake	Conventional oven	180	0.40
Apple pie	Conventional oven	170	0.30
Toast	Grill	MAX	0.10
Spare ribs	Grill	MAX	0.25
Sausages	Grill	MAX	0.25

Using the grill

- Place the food that you wish to grill on the wire shelf or in a tray if it consists of small pieces.
- The rack must be positioned in the highest runner possible and the enamelled baking tray should be placed in the runner below.
- Close the oven door, select a grill function and temperature.

Important: Do not use aluminium foil to cover the grill tray or to wrap the food that is being cooked in as the reflected heat will damage the grill element and the aluminium foil could catch fire.

Warning: While the grill is in use the accessible parts will get very hot so children should be kept away from the oven.

- For suggestions for cooking with the grill see the table below:

Foods to be grilled	Cooking time in minutes Over	Cooking time in minutes Under
Thin meat	6	4
Normal meat	8	5

Fish (e.g. trout, salmon)	15	12
Sausages	12	10
Toast	5	2

Warnings

- Keep the oven door closed when using **any** of the cooking functions, **including** all grill functions.
- Do not use aluminium foil to cover the enamelled baking tray or heat items wrapped in aluminium foil under the grill. The high reflectivity of the foil could potentially damage the grill element.
- You should also never line the base of your oven with aluminium foil.
- During cooking, never place pans or cookware directly onto the bottom of your oven. They should always be placed on the shelves provided.
- The grill heating element and other internal components of the oven become extremely hot during operation, avoid touching them inadvertently when handling the food which you are grilling.
- **Important:** *Be careful when opening the door, to avoid contact with hot parts of the oven and steam.*
- **Warning:** *Accessible parts may become hot during use. Young children should be kept well away from the oven when it is in use.*
- The enamelled baking tray handle should only be used to reposition the tray and **NOT** for removing it from the oven cavity. When removing the enamelled baking tray, you should **ALWAYS** use an oven glove.
- The enamelled baking tray handle should not be left in position when the appliance is switched on.

Cleaning and maintenance

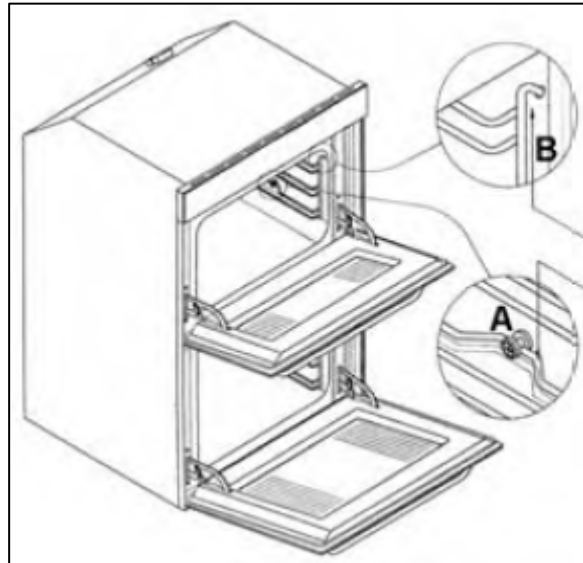


Cleaning operations must only be carried out when the oven is cool.

The appliance should be disconnected from your mains supply before commencing any cleaning process.

- The oven should be thoroughly cleaned before it is operated for the first time and after each use. This will avoid residual food stuffs becoming baked on the oven cavity. After residues have been baked on several times, they are far more difficult to remove.
- ***Never*** clean the oven surfaces by steam cleaning.
- The oven cavity should only be cleaned with warm soapy water, using either a sponge or soft cloth. No abrasive cleaners should be used.
- Any stains that may appear on the bottom of the oven will have originated from food splashes or spilt food, these splashes occur during the cooking process. These could possibly be a result of the food being cooked at an excessively high temperature or being placed in cookware that is too small.
- You should make sure that the cooking temperature that is selected is appropriate for the food that you are cooking. You should also ensure that the food is placed in an adequately sized dish and use the enamelled baking tray where appropriate.
- Outer parts of the oven should only be cleaned with warm soapy water, using either a sponge or soft cloth. No abrasive cleaners should be used.
- We would recommend that an appropriate stainless steel cleaner and polish is regularly used on the stainless steel surfaces of this appliance.
- If you use any form of oven cleaner on your appliance, then you must check with the manufacturer of the cleaner that it is suitable for use on your appliance.
- ***Any damage that is caused to the appliance by a cleaning product will not be fixed by Baumatic free of charge, even if the appliance is within the guarantee period.***

Removing the side racks



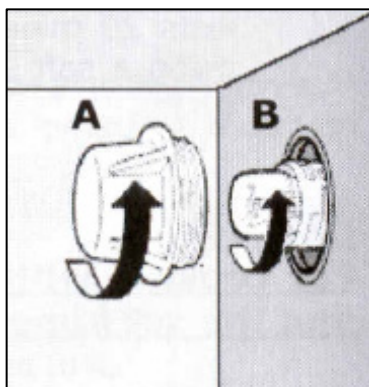
To properly clean the oven cavity, it is necessary to remove all of the oven furniture, including the side racks. To remove the side racks you should do the following:-

- Remove the oven shelves, the enamelled baking tray and trivet from the oven cavity.
- In the main oven, unhook each side rack from the central bolt **(A)** as shown in the line drawing above.
- In the top oven, unhook each side rack from the holes in the oven cavity **(B)** as shown in the line drawing above.
- Reassemble the side racks by following the above processes in reverse. Making sure that the side racks are refitted in the same way as they were originally fitted.

Replacing the oven bulb (main oven)



IMPORTANT: The oven must be disconnected from your mains supply before you attempt to either remove or replace the oven bulb.



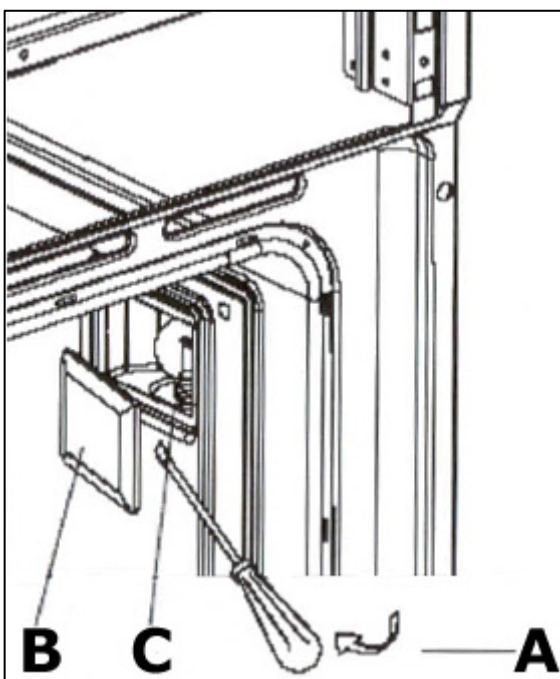
- Remove all oven shelves and the enamelled baking tray.
- Remove the light cover by turning it anti-clockwise.

- Unscrew the bulb clockwise and remove it from its holder.
- Replace the bulb with a 25 W/300°C, screw type pigmy.
- **Do not** use any other type of bulb.
- Place the lamp cover back into position.

Replacing the oven bulb (secondary oven)

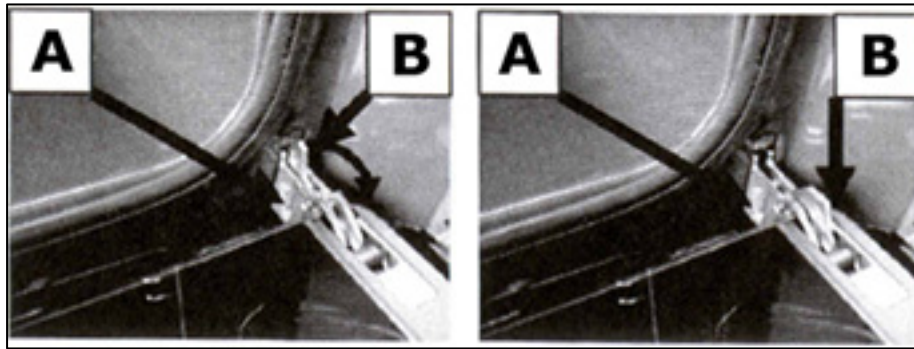


IMPORTANT: The oven must be disconnected from your mains supply before you attempt to either remove or replace the oven bulb.



- Remove all oven shelves, the enamelled baking tray and the side rack that is on the same side as the oven light.
- Using a screwdriver **(A)**, remove the lamp cover **(B)**.
- Unscrew the bulb **(C)** clockwise and remove it from its holder.
- Replace the bulb with a 25 W/300°C, screw type pigmy.
- **Do not** use any other type of bulb.
- Place the lamp cover back into position. There is a curve on one side of the cover; this should be on the right hand side as the cover goes back into place.

Removing the oven door for cleaning



To facilitate the cleaning of the inside of the oven and the outer frame of the oven, the door can be removed as follows:-

- The hinges **(A)** have two movable bolts on them **(B)**.
- If you raise both of the movable bolts **(B)**, then the hinges **(A)** are released from the oven housing.
- You should grip the sides of the door at the centre and then incline it slightly towards the oven cavity and then pull it gently away from the oven cavity.
- **IMPORTANT:** You should make sure that the door is supported at all times and that you place the door on some padded material whilst cleaning it.
- The oven door and door glass should only be cleaned using a damp cloth and a small amount of detergent. The cloth **MUST NOT** have come into contact with any form of cleaning product or chemical previously.
- To refit the door you should slide the hinges back into their slots and open the door fully.
- **IMPORTANT:** The movable bolts **(B)** must be closed back into their original positions before closing the door.



- **Take care not to dislodge the hinge locking system when removing the door, as the hinge mechanism has a strong spring.**
- **Do not immerse the door in water at any time.**

INSTALLATION



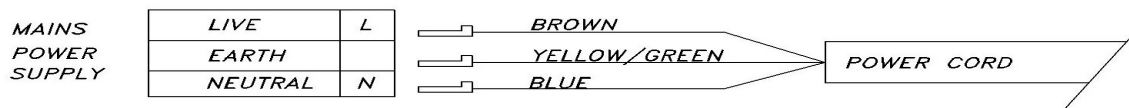
The installation must be carried out by a suitably qualified person, in accordance with the current version of the following.

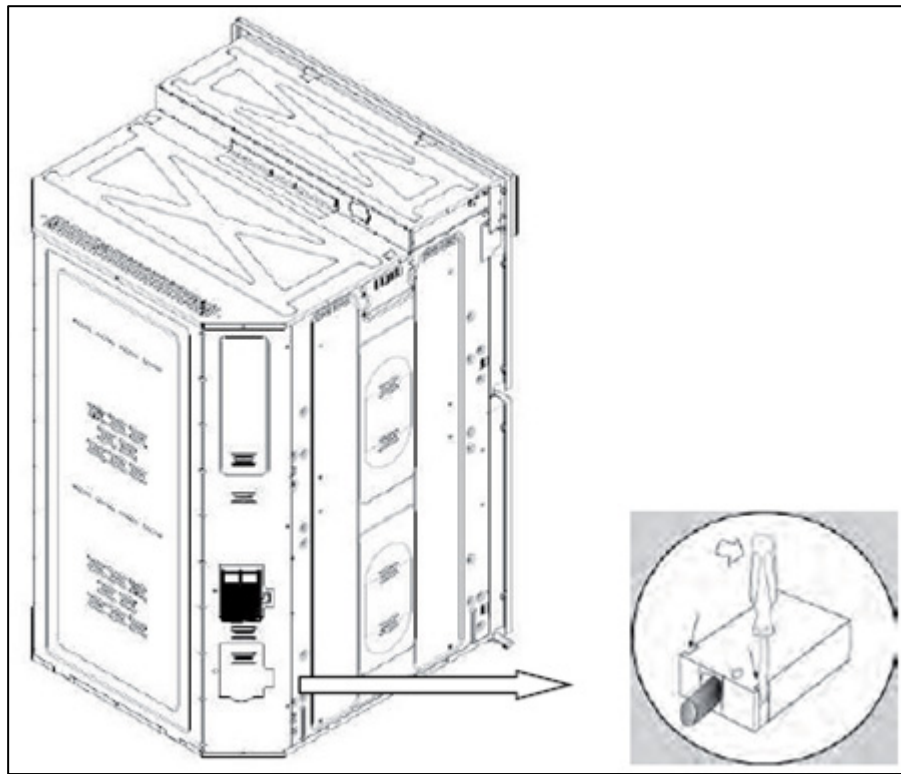
- UK Regulations and Safety Standards or their European Norm Replacements.
- **Building Regulations** (issued by the Department of the Environment).
- **Building Standards** (issued by the Scottish Development Department).
- **IEE Wiring Regulations.**
- **Electricity At Work Regulations.**

Before connecting the appliance, make sure that the supply voltage marked on the rating plate corresponds with your mains supply voltage.

WARNING: THIS APPLIANCE MUST BE EARTHED.

- This appliance should be wired into a 20 A double pole switched fused spur outlet, having 3 mm contact separation and placed in an easily accessible position adjacent to the appliance. The spur outlet must still be accessible even when your oven is located in its housing.

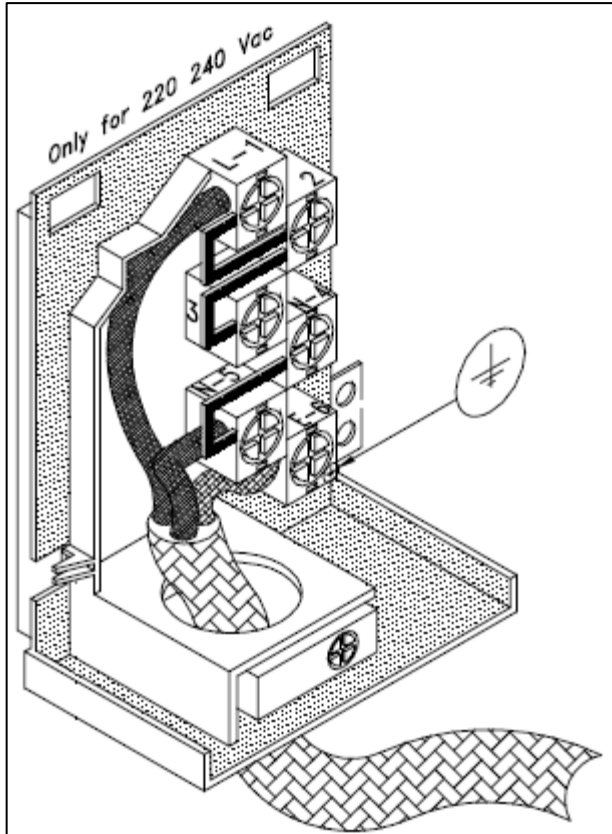





- To connect the oven power cord, loosen and remove the cover on the terminal block, in order to gain access to the contacts inside. Make the connection, securing the cord in place with the cable clamp provided and then immediately close the terminal block cover again.
- If you have to change the oven power cord, the earthing (yellow/green) conductor must always be 10 mm longer than the line conductors.
- Care must be taken to ensure that the temperature of the mains supply cable does not exceed 50°C.
- If the mains supply cable is damaged, then it must be replaced by an appropriate replacement.
- Cable type: H05 RRF 3 core x 2.5 mm²

Connecting the mains supply cable

- The mains terminal block is located on the rear of the oven and the terminals are accessible by removing the terminal block cover. You should remove the cover screw to access this.
- The cable connections must be made in accordance with the diagram on the next page:-



- 1, 2 and 3 are the live connection, 4 and 5 are the neutral connection and the remaining one is the earth connection.
 - The live wire **MUST** be placed in connection number 1.
 - The neutral wire **MUST** be placed in connection number 4.
 - The earth wire **MUST** be placed in the connection marked with the  symbol.
- The brass links must be positioned as marked in the diagram above and once established **ALL** terminal screws must be tightened down firmly.
 - ***If when the oven is first switched on, it does not function correctly, you should recheck that the terminal screws are all fully tightened between the links. This should be done before contacting the Customer Care Department.***
 - ***IMPORTANT:*** The appliance must **NOT** be connected to the mains supply by means of a 13A plug and socket.
 - The cable can be looped if necessary, but make sure that is not kinked or trapped when the oven is in position. Care must be taken to avoid the cable being in contact with hot parts of the appliance.

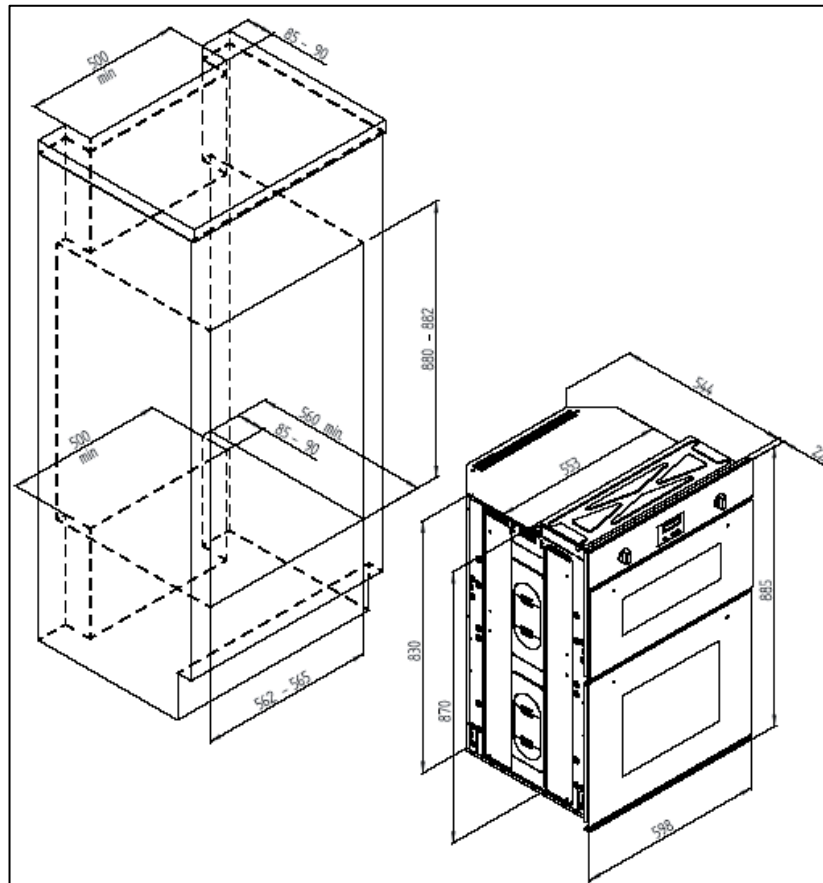
Replacing the mains supply cable

If the mains supply cable is damaged, then it must be replaced with a suitable replacement.

The mains supply cable should be replaced in accordance with the following instructions:-

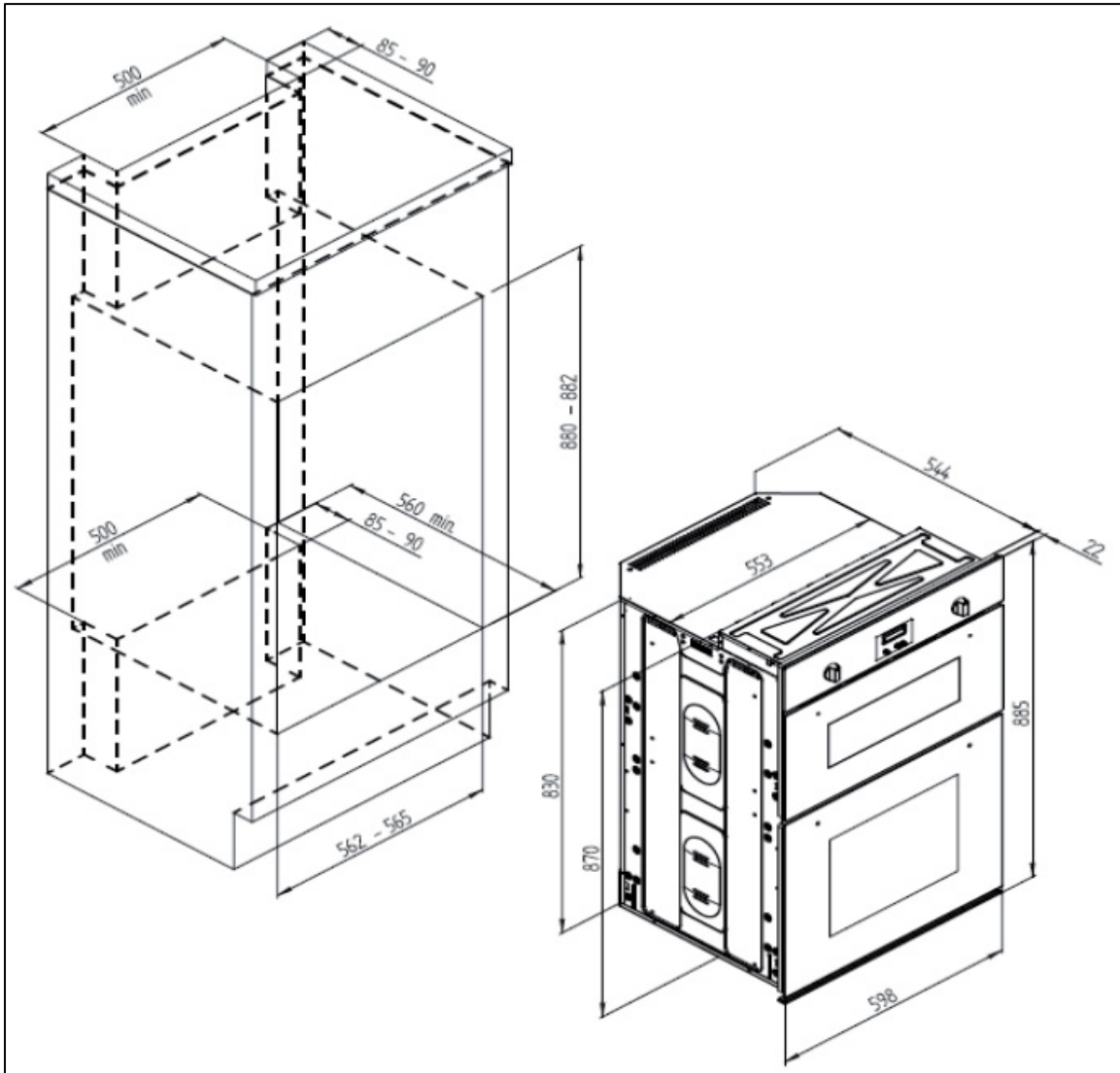
- **Switch the appliance off at the socket.**
- Open the terminal block on the back of the oven.
- Unscrew the terminal screws fixing the cable.
- Replace the cable with one of the same length and in accordance with the specification given on page 28.
- The “green-yellow” earth wire must be connected to the terminal marked \perp . It must be about 10 mm longer than the live and neutral wires.
- The “blue” neutral wire must be connected to the terminal marked with letter (N) - the live wire must be connected to the terminal marked with letter (L).

Positioning the appliance



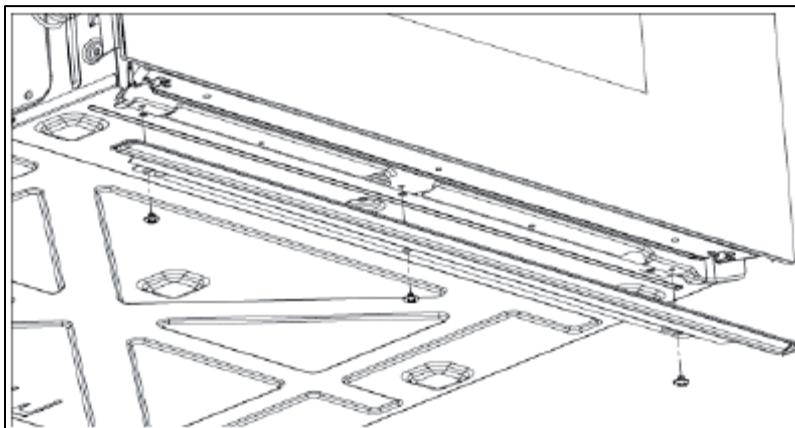
- Ensure that the aperture that you will be fitting the oven into is of the size given in the above diagram.
- The oven must be fitted into an oven housing with the ventilation cut-outs shown in the "Ventilation requirements" section.
- Ensure that the rear panel of the furniture housing unit has been removed.

Ventilation requirements

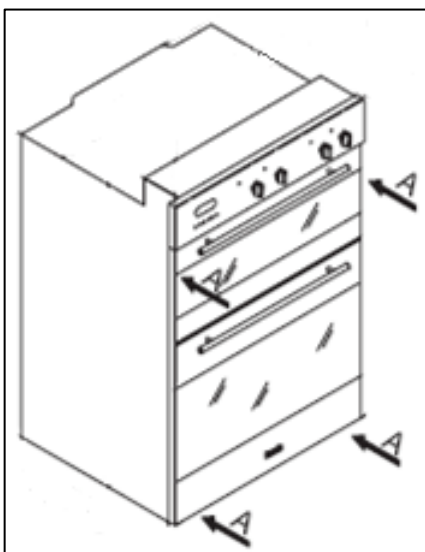


(Figure shows the ventilation and cut-out requirements for the installation of the appliance into a tall housing unit.)

Installing the oven into the housing unit



- Before installing the oven into the furniture, it is necessary to assemble the lower "drip-catcher" which is included. The "drip-catcher" must be attached to the lower part using the three screws supplied.



- Ensure that the oven has been securely fixed into the housing unit. The fixing of the oven into the housing is made by using four screws and caps, which are supplied with the oven.
- Open the door of the oven and then screw through the four holes on the edge of the oven cabinet into the housing unit.

- The furniture unit must have suitable characteristics. The panels adjacent to the oven must be made of heat resistant materials and in the case of veneered wood furniture units, the glue must be heat resistant to temperatures of up to 100°C.

My appliance isn't working correctly

- ***The oven isn't coming on.***
 - * Check that you have selected a cooking function and a cooking temperature.
 - * Check that the automatic cooking symbol **(1)** isn't lit on the LED display.

- ***There appears to be no power to the oven and grill.***
- * Check that the appliance has been connected to the electrical mains supply correctly.
- * Check that the mains fuses are in working order.
- ***The grill function works but the main oven does not.***
- * Check that you have selected the correct cooking function.
- ***The grill and top oven element is not working, or cuts out for long periods of time during use.***
- * Allow the oven to cool for approximately 2 hours. Once cool, check whether the appliance is again working properly.
- ***My food is not cooking properly.***
- * Ensure that you are selecting the correct temperature and the correct cooking function for the food that you are cooking. It may be appropriate to adjust your cooking temperature by plus or minus 10°C, to achieve the best cooking results.
- ***My food is not cooking evenly.***
- * Check that the oven has been installed correctly and is level.
- * Check that the correct temperatures and shelf positions are being used.
- ***The oven light is not working.***
- * Refer to the "Replacing the oven bulb" section.

- ***I am getting condensation in my oven.***
- * Steam and condensation is a natural by product of cooking any food with high water content, such as frozen food, chicken etc.
- * You may get condensation in the oven cavity and forming between the oven door glasses. This is not necessarily a sign that the oven is not working correctly.
- * Do not leave food in the oven to cool after it has been cooked and the oven has been switched off.
- * Use a covered container, where practical, when cooking to reduce the amount of condensation that forms



IMPORTANT: If your appliance appears not to be operating correctly, then you should disconnect it from your mains supply and then contact Baumatic Customer Care on telephone number (0118) 933 6911.

DO NOT ATTEMPT TO REPAIR THE APPLIANCE YOURSELF.

Please note that if an engineer is asked to attend whilst the product is under guarantee and finds that the problem is not the result of an appliance fault, then you may be liable for the cost of the call out charge.

The appliance must be accessible for the engineer to perform any necessary repair. If your appliance is installed in such a way that an engineer is concerned that damage will be caused to the appliance or your kitchen, then he will not complete a repair.

This includes situations where appliances have been tiled in, sealed in with sealant, have wooden obstructions placed in front of the appliance, like plinths. Or any installation other than the one specified by Baumatic Ltd. has been completed.

Please refer to the conditions of guarantee that appear on the warranty card that you receive with the appliance.

IMPORTANT: Baumatic Ltd. operates a policy of continuous improvement and reserves the right to adjust and modify its products without prior notification.



United Kingdom

Baumatic Ltd.,
Baumatic Buildings,
6 Bennet Road,
Reading, Berkshire
RG2 0QX
United Kingdom

Sales Telephone

(0118) 933 6900

Sales Fax

(0118) 931 0035

Customer Care Telephone

(0118) 933 6911

Customer Care Fax

(0118) 986 9124

Spares Telephone

(01235) 437244

Advice Line Telephone

(0118) 933 6933

E-mail:

sales@baumatic.co.uk
customercare@baumatic.co.uk
spares@baumatic.co.uk
technical@baumatic.co.uk

Website:

www.baumatic.co.uk

Republic of Ireland

Service Telephone

1-890 812 724

Spares Telephone

091 756 771

Czech Republic

Baumatic CR spol s.r.o.
Průmyslová zóna Sever 696
460 11 Liberec 11
Czech Republic

+420 483 577 200

www.baumatic.cz

Slovakia

Baumatic Slovakia, s.r.o.
Galvániho 7/D
Slovakia

+421 255 640 618

Germany

Baumatic GmbH
Lilienthalstrasse 1
320 52 Herford
Deutschland

+49 5221 694 99-0

www.baumatic.de

Italy

Baumatic Italia S.R.L.
Via Galvani N.3
35011 Campodarsego (PD)

+3904 9920 2297

www.baumatic.it

Holland

Baumatic Benelux B.V.
Grindzuigerstraat 22
1333 MS ALMERE
Nederland

+3136 549 1555

www.baumatic.nl

