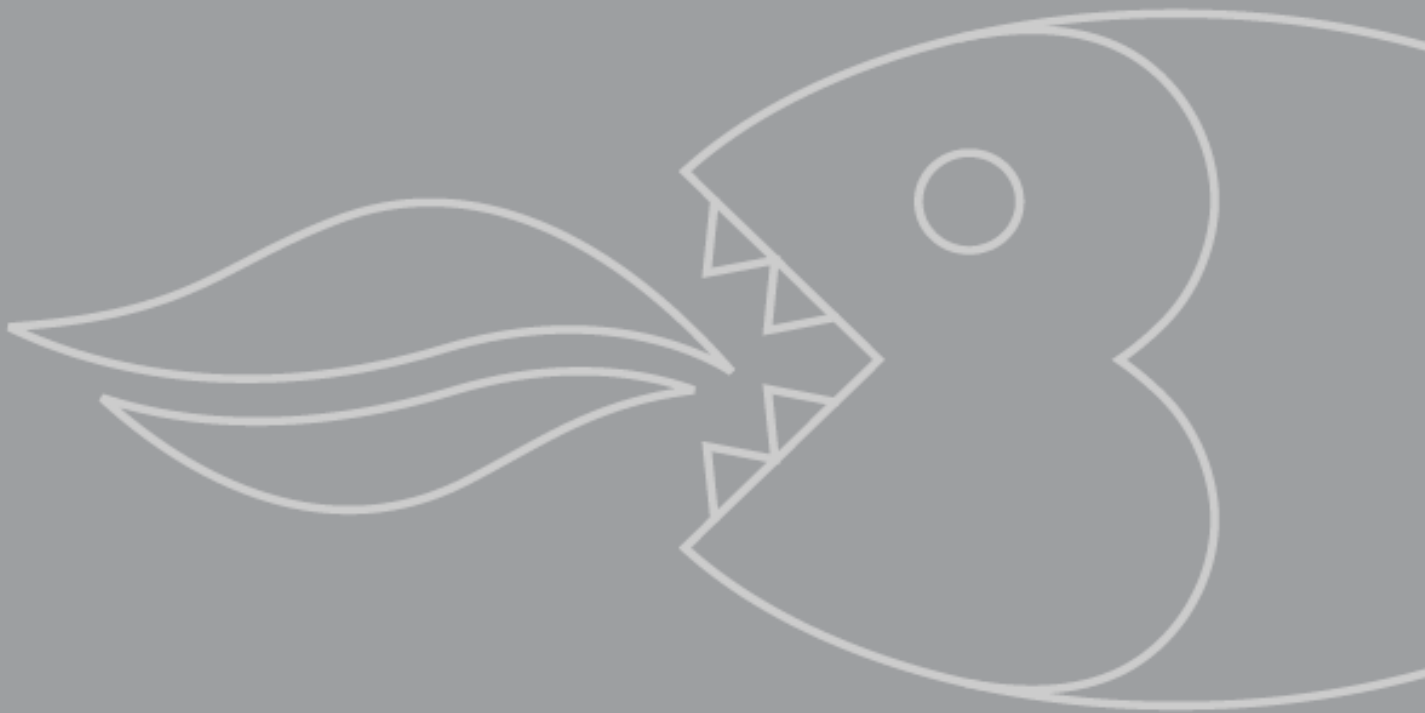


**BTI975GL 90 cm Glass  
island cooker hood**

**INSTRUCTION MANUAL**



# User Manual for your Baumatic

## BTI975GL

### Cooker Hood

90 cm Glass island cooker hood in  
stainless steel



***NOTE: This User Instruction Manual contains important information, including safety & installation points, which will enable you to get the most out of your appliance. Please keep it in a safe place so that it is easily available for future reference; for you or any person not familiar with the operation of the appliance.***

## Contents Page


<b>Environmental note</b>	4
<b>IMPORTANT SAFETY INFORMATION</b>	5 - 7
<b>Specifications of your cooker hood</b>	8
<b>Using your Baumatic cooker hood</b>	9
<b>Cleaning your Baumatic cooker hood</b>	10
The grease filters	10
<b>Maintenance</b>	11 - 14
Removing and cleaning the grease filters	11
Changing a light bulb	12 - 13
Fitting the carbon filter	13 - 14
<b>Installation</b>	15 - 23
Electrical connection	15 - 16
Before beginning installation	16 - 17
Positioning	17 - 18
Installing your cooker hood	18 - 22
Supplied installation components	19
Completing the installation	22 - 23
<b>Extraction mode or recirculation mode?</b>	23
External ducting	23
<b>Troubleshooting</b>	24 - 25
<b>Contact details</b>	26

## ENVIRONMENTAL NOTE

**Note:** Before discarding an old appliance, switch off and disconnect it from the power supply. Cut off and render any plug useless. Cut the cable off directly behind the appliance to prevent misuse. This should be undertaken by a competent person.

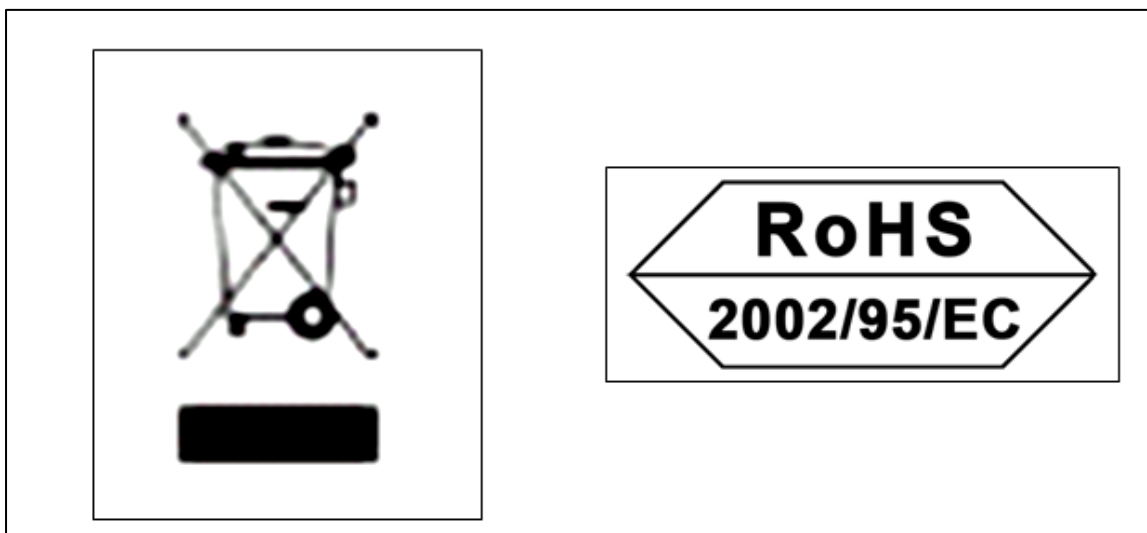
### CONFORMITY TO W.E.E.E. DIRECTIVE

This appliance is marked according to the European directive 2002/96/EC on Waste electrical and Electronic Equipment (WEEE). By ensuring this product is disposed of correctly, you will help prevent potential negative consequences for the environment and human health, which could otherwise be caused by inappropriate waste handling of this product.

The symbol  on the product, or on the documents accompanying the product, indicates that this appliance may not be treated as household waste. Instead it shall be handed over to the applicable collection point for the recycling of electrical and electronic equipment.

Disposal must be carried out in accordance with local environmental regulations for waste disposal.

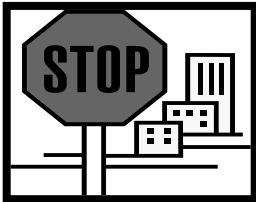
For more detailed information about treatment, recovery and recycling of this product, please contact your local city office, your household waste disposal service or the shop where you purchased the product.



## IMPORTANT SAFETY INFORMATION



Your safety is of the utmost importance to Baumatic. Please make sure that you read this instruction booklet **before** attempting to install or use the appliance. If you are unsure of any of the information contained in this booklet, please contact the Baumatic Advice Line.



**IMPORTANT: Any installation work must be carried out by a qualified electrician or competent person.**

- The hood must be installed in accordance with the installation instructions and all measurements followed.
- If the cooker hood is installed for use above a gas appliance then the provision for ventilation must be in accordance with the Gas Safety Codes of Practice BS.6172, BS.5440 & BS.6891 (Natural Gas) and BS.5482 (LP Gas) 1994, the Gas Safety (Installation & Use) Regulations, the Building Regulations issued by the Department of the Environment, the Building Standards (Scotland) (Consolidated) Regulations issued by the Scottish Development Department.
- It is dangerous to alter the specifications or to modify this product. Do not tamper with it or attempt to modify the appliance in any way.
- When installing the hood, ensure that the following recommended distances are observed between the highest point on the hob top (including the burners) and the bottom of the cooker hood:

- **Electric cookers:**                      **700 mm**
- **Gas cookers:**                              **700 mm**
- **Coal/ oil cookers:**                      **800 mm**



**IMPORTANT: DO NOT SET YOUR COOKER HOOD LESS THAN 700mm ABOVE YOUR COOKER.**

- When installed between adjoining wall cabinets, the cabinets must not overhang the hob.

- The edges of the cooker hood are sharp – be mindful of this as you handle your appliance, especially during installation and cleaning. **DO NOT CLEAN IN BEHIND THE GREASE FILTERS!**
- If the room where the cooker hood is to be used contains a fuel burning appliance such as a central heating boiler then its flue must be of the sealed or balanced flue type.
- If other types of flue or appliances are fitted, ensure that there is an adequate supply of air in the room.
- When the hood is being used in its extractor function, ensure that the ducting is fire retardant and that there are no bends sharper than 90 degrees as this will reduce the efficiency of the hood.
- Ensure the ducting for the extractor function has the same diameter as the outlet hole all the way through.
- Keep young children from using, playing with or tampering with the cooker hood. Older children and infirm persons should be supervised if they are using the cooker hood.



- Your cooker hood is for domestic use only.

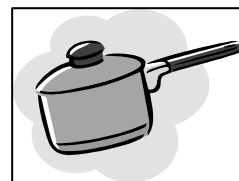


- Please dispose of the packing material carefully – children are especially vulnerable to it.

- Dirty oil is an even greater fire risk.

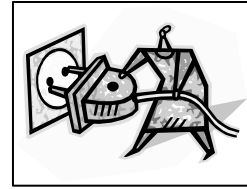


- Always put lids on pots and pans when cooking on a gas cooker.



- The manufacturer refuses to accept any responsibility for damages arising to the hood or it catching on fire, from a failure to observe the fire safety advice contained in this instruction booklet.

- Remember that when in extraction mode, your cooker hood is removing air from your room. Ensure that proper ventilation measures are being observed.
- **Note that it removes odours from your room, not steam.**
- **Warning - Always ensure that the cooker hood has been disconnected from the power supply before carrying out any work on the hood, including replacing light bulbs.**



- Do not connect the ducting system of this appliance to any existing ventilation system which is being used for any other purpose.
- Do not install above a cooker with a high level grill.

- Never leave frying pans unattended during use as overheated fats and oils might catch fire.



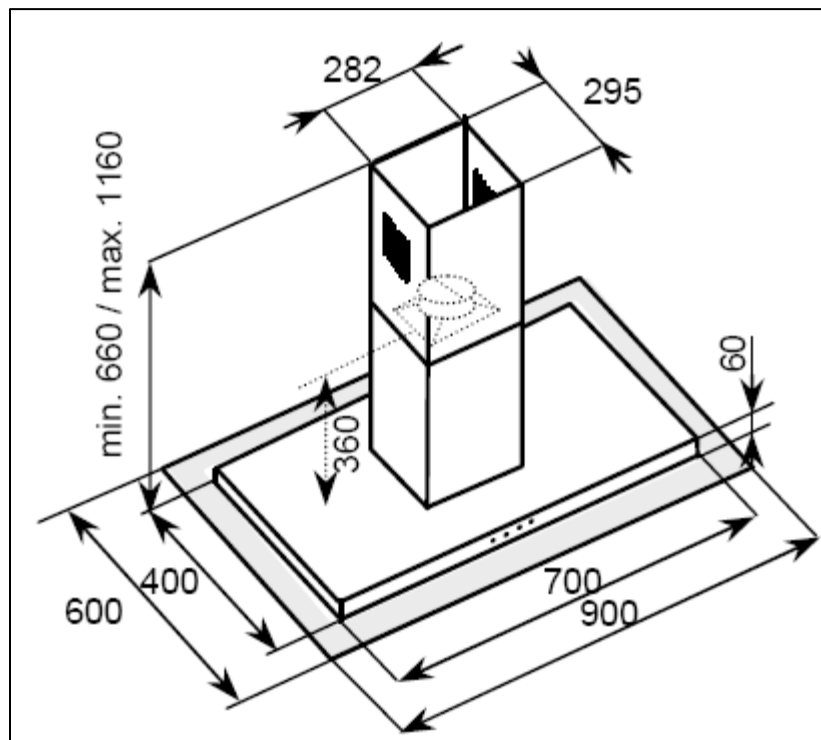
- The lights on this appliance should only be used during operation of the cooker hood. They should not be left on permanently and used as a lighting source.
- The cooker hood should not be exposed to a direct heat source from the cooking device underneath it, i.e. naked flame from a gas burner or heat from electric hob zones **without** a pan on them.
- Do not attempt to use the cooker hood if it is damaged in any way. Never attempt to use it without the grease filters fitted or if the filters are excessively greasy!
- Never flambé cook under this cooker hood.

**THE MANUFACTURER DECLINES ALL RESPONSIBILITY IN THE EVENT OF FAILURE TO OBSERVE THE INSTRUCTIONS GIVEN HERE, FOR INSTALLATION, MAINTENANCE AND SUITABLE USE OF THE HOOD.**



## Specifications of your cooker hood

***Congratulations on purchasing a Baumatic cooker hood!***



### **PRODUCT DIMENSIONS**

Height: 660 mm \* - 1160 mm  
Width: 900 mm  
Depth: 600 mm

### **DIMENSIONS OF CHIMNEY SECTION**

282 mm x 295 mm

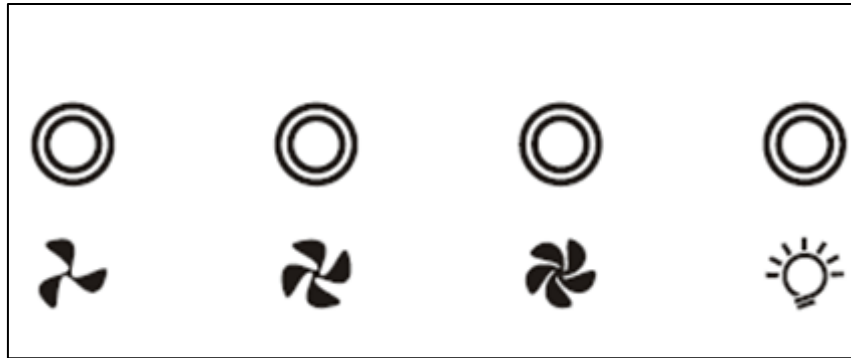
- High extraction tangential motor
- Electronic pushbutton control operation
- 3 Speeds
- 2 Metallic grease filters
- 2 Halogen lights
- ***Extraction capacity: 750 m<sup>3</sup>/hr***
- ***Optional extra: 1 x SQ1 Carbon filter required for recirculation mode***



***\* IMPORTANT: Please see the positioning instructions on pages 17 - 18 to obtain precise information on the height requirements for this product.***



## Using your cooker hood



- Make sure that it has been installed by a suitably qualified person, as per the information contained in Baumatic's installation instructions.
- Find the control panel, which is located on the right hand side of the canopy.
- There are several buttons on the control panel, which perform separate functions.



= Low speed



= Medium speed



= High speed

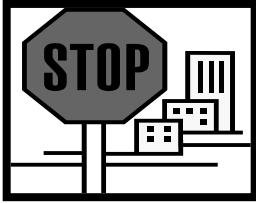


= Light ON/OFF button



**IMPORTANT: IDEALLY YOU SHOULD TURN ON YOUR HOOD TEN MINUTES BEFORE YOU START TO COOK, OR AT THE VERY LEAST WHEN YOU BEGIN COOKING. YOU SHOULD ALSO RUN YOUR HOOD FOR TEN MINUTES AFTER YOU HAVE FINISHED COOKING.**

## Cleaning your Baumatic cooker hood



**IMPORTANT: BEFORE CLEANING, ALWAYS ENSURE THAT YOU HAVE SWITCHED YOUR COOKER HOOD OFF AT THE OMNI-POLAR SWITCH, SET AT THE WALL FROM THE CABLE.**

### Cleaning

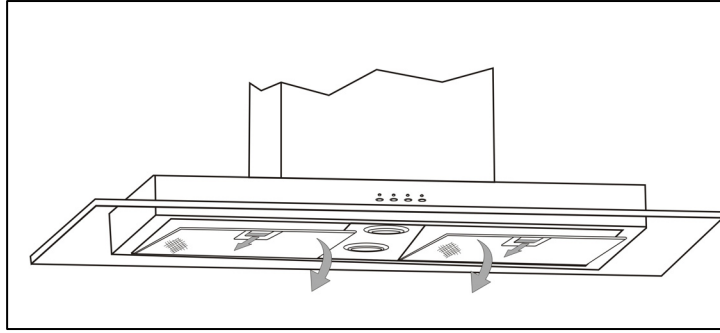
- Clean the external parts of your cooker hood with mild liquid detergent and a new damp cloth.
- Never use abrasive powder, corrosive solvents or brushes.
- You should use a good quality stainless steel cleaner and polish on ALL of the stainless steel areas of your cooker hood
- Never insert pointed objects into the motor's protective grid.
- Only clean the control panel and grease filter grill with mild liquid detergents and a new damp cloth.
- If you are using the appliance in recirculation mode, then be sure to replace the carbon filter at the recommended interval (see section on "Fitting the carbon filter"). A build up of grease could cause a fire hazard.
- Never attempt to clean the area above the grease filters.

### The grease filters

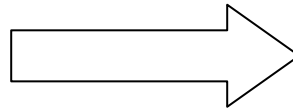
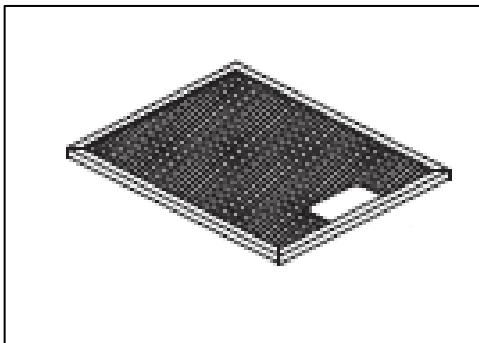
- Your cooker hood includes two grease filters which help to absorb grease particles to protect your kitchen & furniture from greasy residues.
- The metallic filters may become inflammable if they become saturated with this greasy residue.
- To prevent this fire hazard, the filters should be cleaned regularly. Depending on use, this should be done every 10-15 days or at least once a month, using hot water and normal washing-up detergent.
- **DO NOT WASH THE GREASE FILTERS IN A DISHWASHER.**

## Maintenance

### Removing and cleaning the grease filters



- First remove the grease filters by pulling down on the handle and pulling them away from the cooker hood.

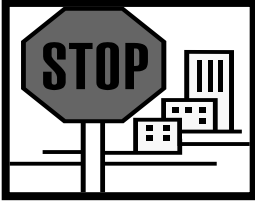


- Soak the grease filters in hot water and washing up liquid for about an hour.
- Rinse it off thoroughly with hot water.

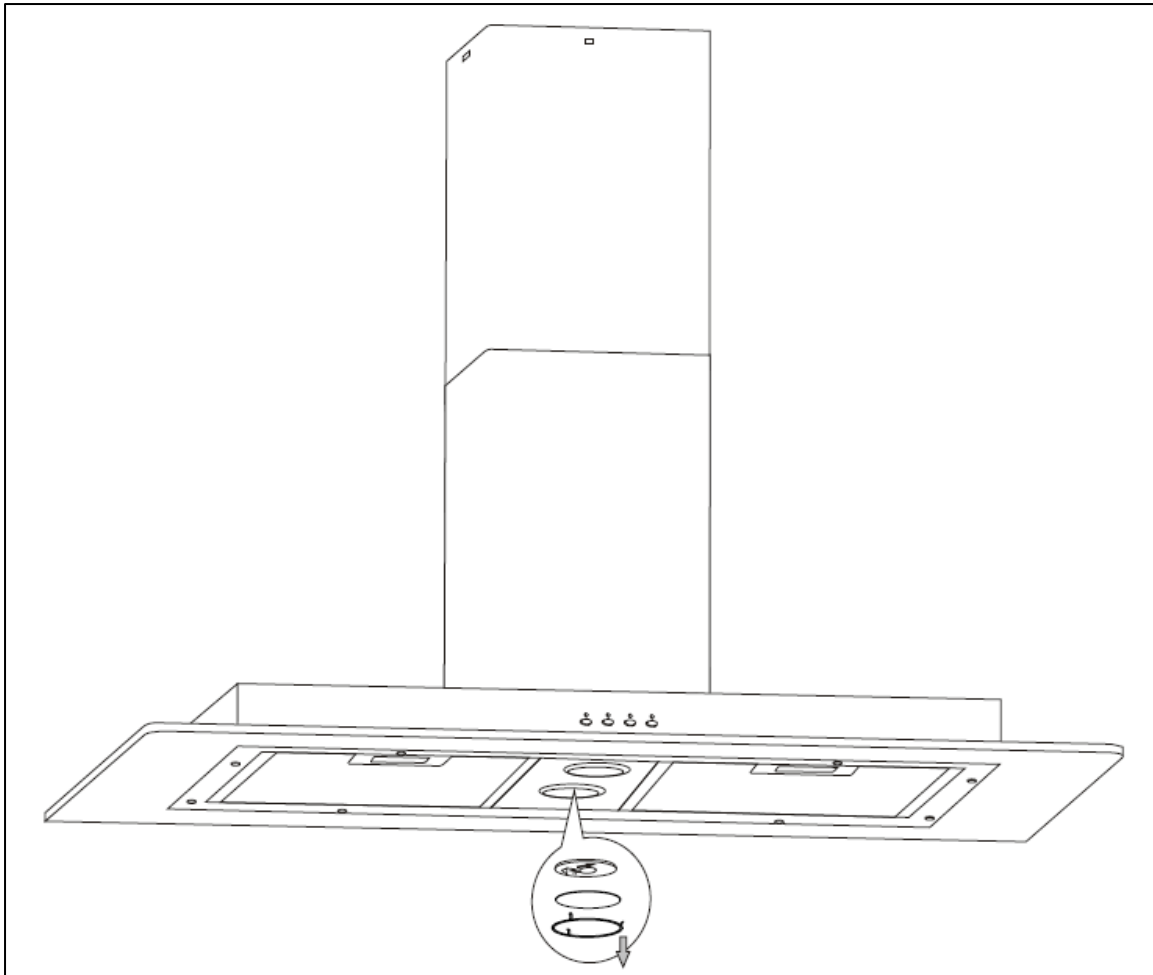


- Repeat the process if required.
- Refit the grease filters once they have dried.
- **IMPORTANT: Let the grease filters dry thoroughly before refitting it in the cooker hood.**

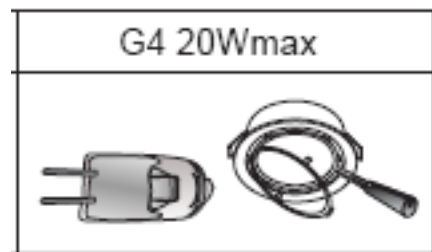
## Changing a light bulb



**IMPORTANT: BEFORE ATTEMPTING TO CHANGE A LIGHT BULB, YOU MUST ENSURE THAT YOU HAVE DISCONNECTED THE COOKER HOOD FROM YOUR MAINS SUPPLY.**



- Prior to touching the light bulbs ensure that they have cooled down.
- Find the bulb that requires replacement, you will find it located in the light fixture which is inside the exposed section of the canopy.



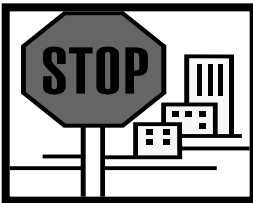
- Use a screwdriver to remove the glass cover that sits over the bulb. Unplug the light bulb that needs to be replaced and insert a new G4 20W (max) bulb. Then replace the glass cover.
- **IMPORTANT:** Defective bulbs should be replaced immediately.
- If the lights still do not work, make sure that the bulbs are fitted properly into their housings before you call for technical assistance.



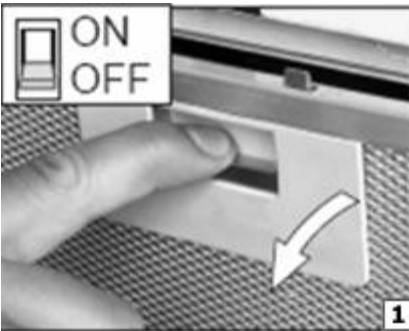
- Refit the grease filters.

### Fitting the carbon filter

If the appliance is going to be used in recirculation mode then it is necessary to fit a carbon filter. This will help to absorb unpleasant odours caused by cooking.



**IMPORTANT: BEFORE ATTEMPTING TO FIT OR REMOVE THE CARBON FILTER, YOU MUST ENSURE THAT YOU HAVE DISCONNECTED THE COOKER HOOD FROM YOUR MAINS SUPPLY.**



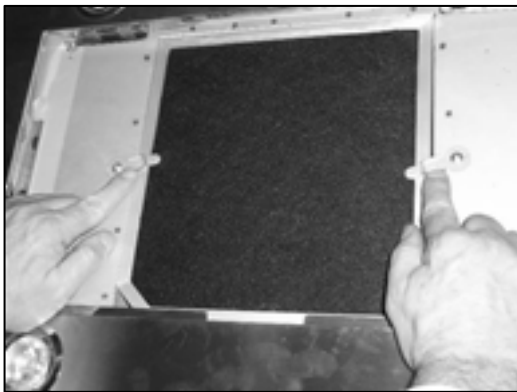
- 1) Remove the grease filters.

2) There are four screws holding the light fixture into place. These should be removed allowing the light fixture to be dropped slightly away from the main body of the hood.



3) Insert the carbon filter in the rectangular hole, fitting it over the motor.

**IMPORTANT:** *The cutaway (indicated by the arrow) must be located at the front right of the rectangular hole.*



4) After inserting the front edge of the carbon filter into the slot on the cooker hood. Lower the back edge of the carbon filter, until it clicks into place at the rear of the rectangular hole. Raise the two fixing bars, until they are horizontal over the carbon filter.

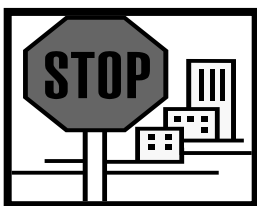
5) Care should be taken to ensure that the cable from the main body of the cooker hood to the lights is positioned in the cutaway.

6) Reattach the light fixing to the main body of the cooker hood.

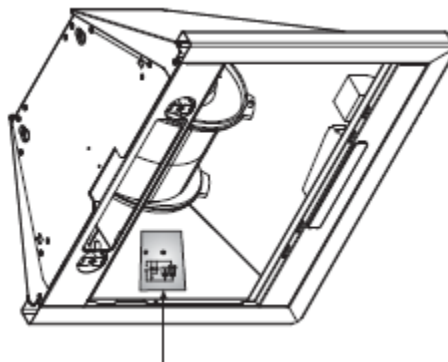
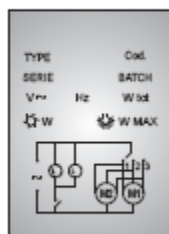
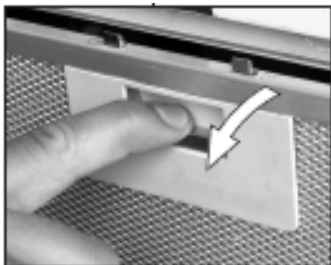
7) Refit the grease filters.

- The carbon filters should be replaced approximately every three months, if they show signs of damage, or if you start to notice that cooking smells are entering the kitchen through the upper vents.

## Installation



**IMPORTANT:** Before installation and usage read all the instructions and make sure that the voltage (V) and the frequency (Hz) indicated on the rating plate are exactly the same as the voltage and frequency in your home. The rating plate can be found behind the grease filter.



The manufacturer declines all responsibility in the event of the installer failing to observe all the accident prevention regulations in force, which are necessary for normal use and the regular operation of the electric system.

### Electrical connection

**YOUR COOKER HOOD IS INTENDED FOR FITTED AND PERMANENT INSTALLATION.**



- The cooker hood's power cable must be fitted upstream from the electrical connection, using an omni-polar switch with a contact distance of at least 3 mm. **THE FUSE MUST BE RATED AT 3 AMPS.**

**WARNING: THIS APPLIANCE MUST BE EARTHED.** It should only be connected by a competent person, using fixed wiring via a double pole switched fused spur outlet. **(UK ONLY).**

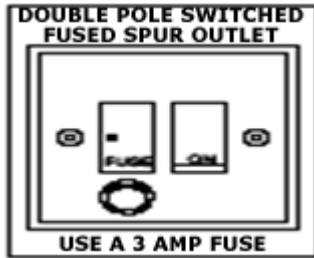


We recommend that the appliance is connected by a qualified electrician, who is a member of the N.I.C.E.I.C. and who will comply with the I.E.E. and local regulations. The wires in the mains lead are coloured in accordance with the following UK code:

**Blue = Neutral, Brown = Live, Green/Yellow = Ground**

**If you only find two wires in the main's lead (blue and brown), then neither must be connected to the earth terminal.**

- As the colours of the wires in the appliance's mains lead may not correspond with the coloured markings identifying the terminals in your spur box, please proceed as follows:



- The **blue wire** must be connected to the terminal marked "N" (neutral), or coloured **black**.
- The **brown wire** must be connected to the terminal marked "L" (live), or coloured **red**.

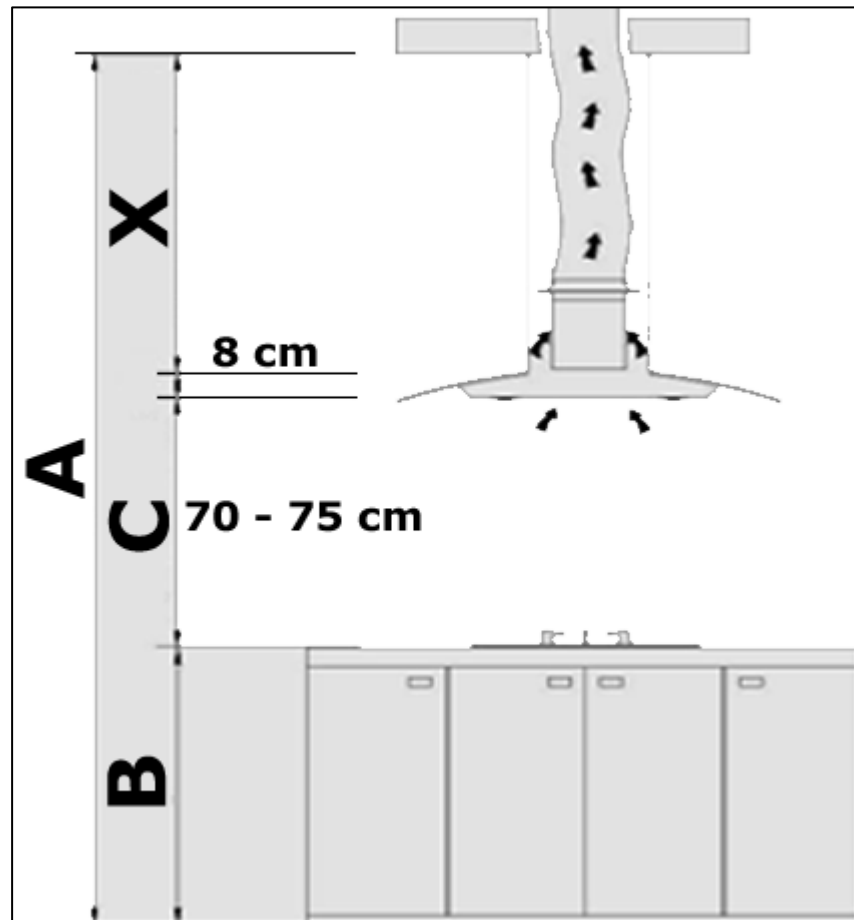
### Before beginning installation

- Check that the product purchased is of a suitable size for the chosen installation area. In addition check whether there is an electrical socket available that will be accessible once the hood is mounted. If the product is going to be used in extraction mode, then there should also be space to connect a ducting hose to the outside.
- Carry out all necessary masonry work prior to the fitting of the cooker hood.
- Ensure that all electrical connections are carried out by a suitably qualified person.
- Check inside the product and ensure that there is no transit packaging or any other materials, such as packets of screws, guarantees etc. These should be removed and kept for future use.
- If possible, disconnect and move freestanding or slot-in cookers from their position, to provide easier access to the ceiling. If this is not possible, then a thick, protective covering should be placed over the worktop, hob top or cooker. This will help to protect these surfaces from damage and debris.
- Select a flat surface for assembling the cooker hood. Cover that surface with a protective covering and place all cooker hood parts and fittings on it.
- Wall plugs are provided to secure the hood to most types of ceilings. However a qualified technician must verify the suitability of the materials, in accordance with the type of ceiling. The ceiling must be strong enough to take the weight of the hood.



- Do not tile, grout or silicone this appliance to the ceiling. This appliance is designed to be surface mounted only.
- Remove any protective wrapping that has been put on the cooker hood or chimney sections, to protect them during transit.

## Positioning



- X** = Height of the appliance
- A** = Total height of the kitchen
- B** = Height of the worktop
- C** = Distance between the hob and the hood
- 8 cm** = Height of the hood canopy

- To work out the height of the appliance, you need to use the following formula:  $X = A - (B + C + 8 \text{ cm})$ .
- The overall height of the appliance should be calculated according to the height of the chimney sections. You must allow yourself sufficient space to make the electrical connections and connecting the ducting hose (if required).



**IMPORTANT:** Your ceiling should have a minimum height of 2.7 metres; otherwise you may encounter difficulties when installing the appliance.



**IMPORTANT:** Although the minimum height of the appliance can be set at 660 mm. During the installation process you will need to move the lower chimney section upwards, to allow you to attach the main body of the hood to the framework. To achieve this you will require a vertical gap of no less than 1000 mm.

## Installing your cooker hood

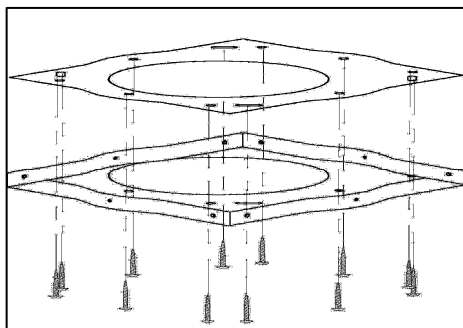
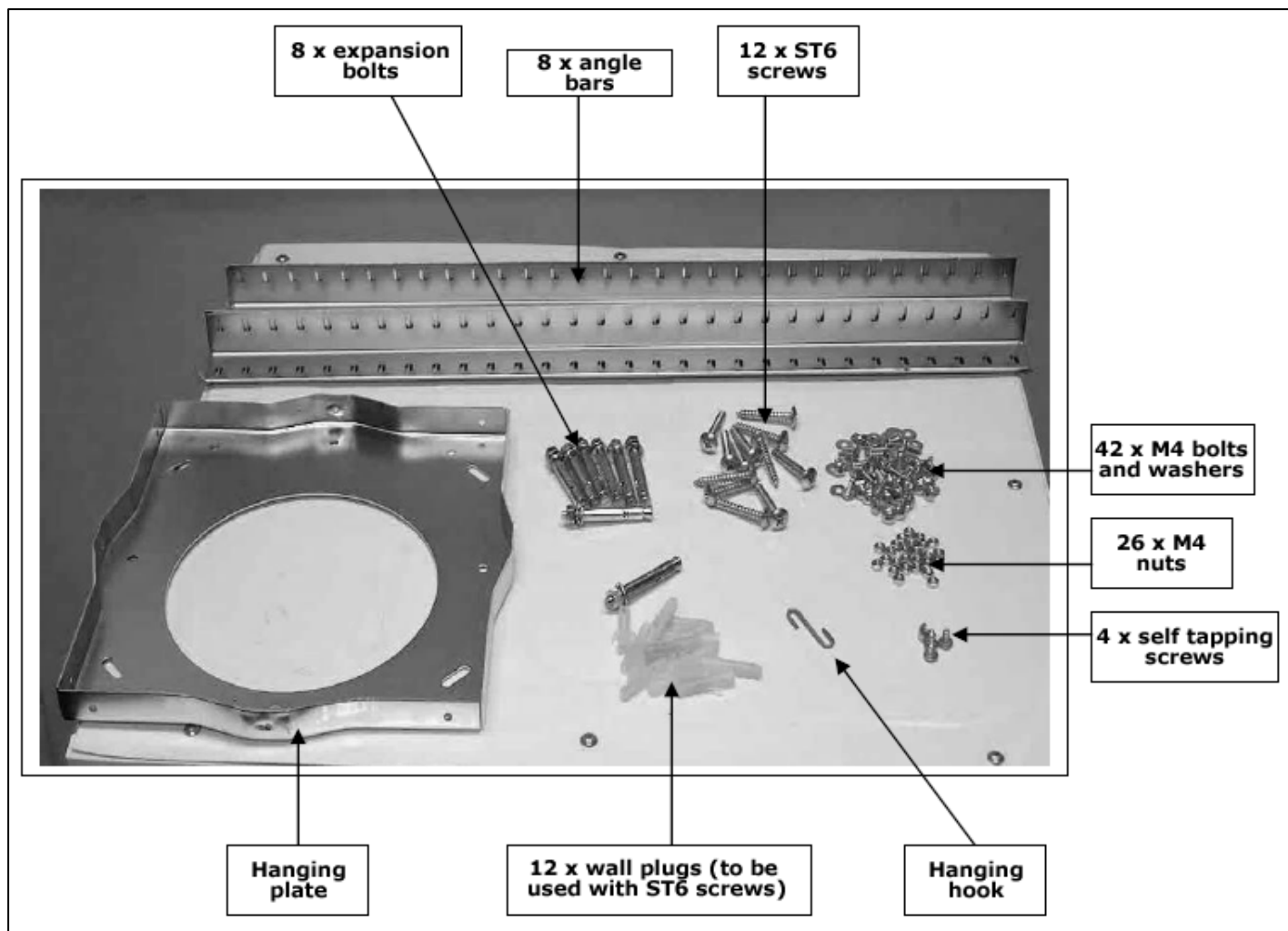


**IMPORTANT: YOU WILL HAVE TO DECIDE BEFORE INSTALLING YOUR COOKER HOOD WHETHER TO USE IT IN EXTRACTION MODE OR RECIRCULATION MODE. PLEASE TURN TO PAGE 23 NOW TO UNDERSTAND THE DIFFERENCES BETWEEN THESE TWO MODES.**

- We recommend that two people install this hood.
- Your cooker hood should only be suspended from ceiling joists or joints between joists that are weight bearing. **DO NOT** hang this hood from a suspended ceiling.
- **IMPORTANT:** The ceiling **MUST** be able to withstand a weight of at least 40 kilograms.
- **IMPORTANT:** The ceiling **MUST** be at least 30 mm thick.
- It must be positioned at least 700 mm above the hob underneath it. You cannot fit this product by securing it between two cupboards.
- If you are using your cooker hood in extraction mode, then you will need to make the necessary arrangements for the ducting, before the rest of the installation.

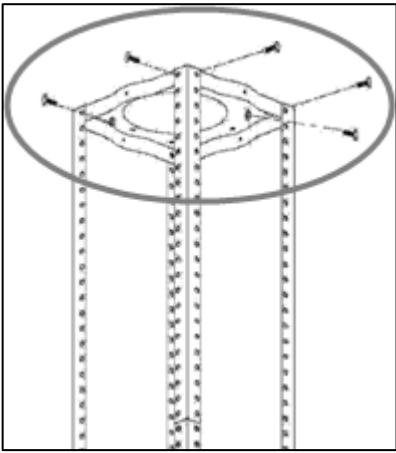
**IMPORTANT: YOUR COOKER HOOD SHOULD BE CONNECTED TO YOUR MAINS SUPPLY AFTER THE REST OF THE INSTALLATION PROCESS HAS BEEN COMPLETED.**

## Supplied installation components

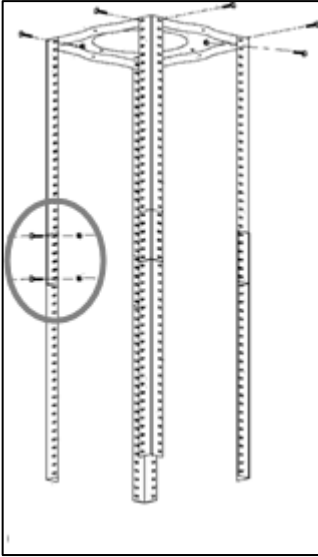


**1)** Position the hanging plate on the ceiling and then mark the position of the screw holes.

- The hanging plate should be securely fixed to the ceiling, using the 12 x ST6 (40 mm) screws.
- Depending on the surface of the ceiling that you are fixing the hanging plate to, you may need to use 8 x expansion bolts (for concrete).

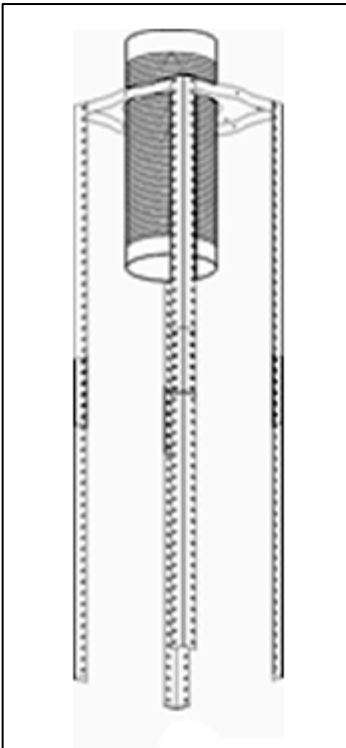


**2)** Fix the angle bars to the hanging plate, using the 8 x M4 nuts and bolts with metal washers.

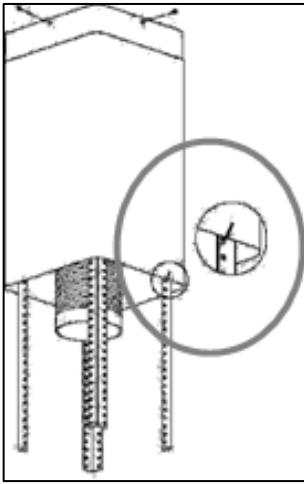


**3)** Extend the angle bars to the required height and then fix them in position using the 16 x M4 nuts and bolts with metal washers.

- **IMPORTANT:** The angle bars must have an overlap of **AT LEAST 100 mm**.

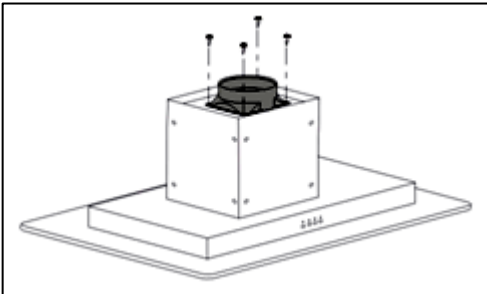


**4)** If your cooker hood is going to be used in extraction mode, then you should connect the ducting hose to the ceiling adaptor at this point.

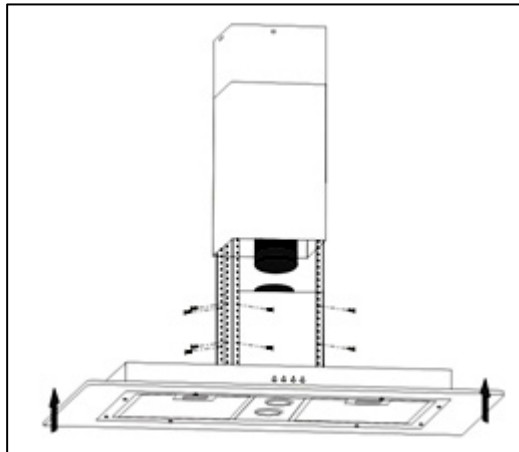


**5)** Fix the upper chimney section to the hanging plate, using the 4 x self tapping screws.

- Slide the lower chimney section onto the angle bars and raise it until it sits just below the upper chimney section.
- Use the hanging hook to temporarily keep the lower chimney section in this position, to make sure that it does not drop down whilst fixing the main body of the hood to the angle bars.

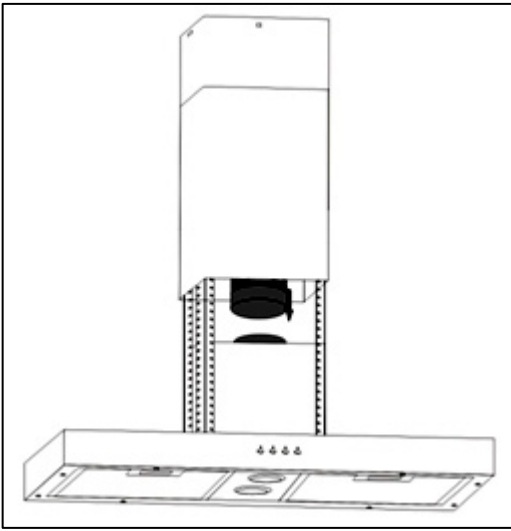


**6)** If you are going to be using the hood in extraction mode, you should fit the spigot for the duct hose onto the main body of the cooker hood, using the 4 x M4 bolts,



**7)** Lift the main body of the cooker hood onto the angle bar and then fix it into position using the 16 x M4 bolts.

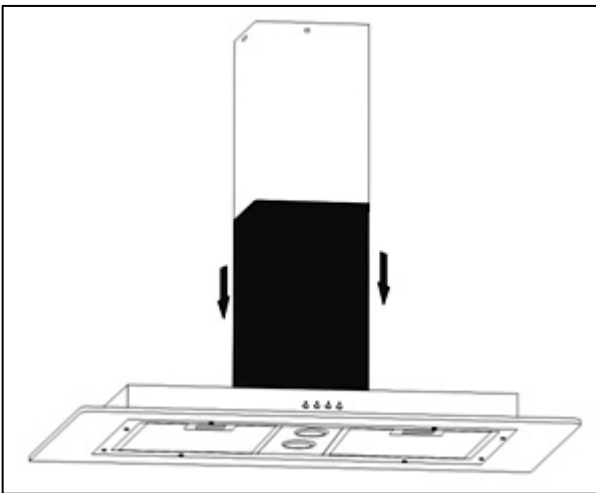
- ***IMPORTANT: This stage of the installation process MUST be completed by two people.***
- ***IMPORTANT: The 16 x M4 bolts MUST be securely tightened.***



**8)** If you are going to be using the hood in extraction mode, you should fix the ducting hose to the spigot.

- The electrical connection must correspond to the electrical requirement noted on the rating plate, which is placed inside the cooker hood. The appliance should now be connected to the electrical supply. See page 15 - 16 for detailed information on the electrical connection.

- Check that the appliance is operating correctly by selecting each speed and switching the light bulbs on and off.



- Remove the hanging hook and then slide the lower chimney section downwards, until it rests against the main body of the cooker hood.

### **Completing the installation**

- If you are setting the appliance to recirculation mode, then you should now fit the carbon filter. See the "Fitting the carbon filter" section on page 13 - 14.
- The electrical connection must correspond to the electrical requirement noted on the rating plate, which is placed inside the cooker hood. The appliance should now be connected to the electrical supply. See page 15 - 16 for detailed information on the electrical connection.
- Use a stainless steel cleaner and polish on the stainless steel sections of the appliance.



- Refit the grease filters and then switch on the mains supply to the appliance. Check that the appliance is operating correctly by selecting each speed and switching the light bulbs on and off.

## **Extraction mode or recirculation mode?**

### ***What is the difference between extraction and recirculation modes?***

To get optimum performance from your cooker, the air will be taken out of the room via external ducting.

Unfortunately if you live in a flat or the hood is too far from an outside wall, this may not be possible. The only alternative is to recirculate the air.

In recirculation mode stale air is taken via the grease filter, and passed through a charcoal filter for purification. The air then re-enters the kitchen via an opening in the hood.

### ***What is a charcoal filter and do I need one?***

All cooker hoods have a grease filter but if you are using your cooker hood in recirculation mode, then a charcoal filter must be fitted in addition to the grease filter.

### **External ducting**

- Connect the spigot to the top of the cooker hood, and then connect a 125 mm ducting hose to the coupling (please note that the ducting hose is not supplied with the appliance).
- The other end of the ducting hose should be connected to a discharge outlet that is suitable for cooking vapours. It should have a cross section of at least 150 cm<sup>2</sup>.
- The maximum distance between the coupling and your discharge outlet should be 3 metres, with one 90 degree bend.
- For each additional 90 degree bend that is made, the maximum distance between the coupling and your discharge outlet is reduced by 1 metre.

**IMPORTANT: If your cooker hood appears not to be operating properly, before contacting Baumatic Customer Care, please refer to the checklist below.**



***My cooker hood will not start.***

- Check that the hood is connected to the electricity supply
- Check that the fan speed control is set correctly.



***My cooker hood is not working effectively.***

- The fan speed is not set high enough
- The grease filters are dirty and require cleaning.
- The kitchen is not well ventilated enough.
- If the hood is set up for recirculation mode, check that the carbon filter does not need replacing.
- If the hood is set up for extraction mode, check that the ducting hose and discharge outlet are not blocked.



***My cooker hood has switched off during operation.***

- The safety cut-out device has been tripped.
- Turn off the hob and then wait for the safety cut-out device to reset.
- **IMPORTANT:** *If you have installed your cooker hood too low, the safety cut-out device will frequently trip. Your cooker hood may become damaged if the safety cut-out device is tripped frequently.*





***IMPORTANT: If your appliance appears not to be operating correctly, then you should disconnect it from your mains supply and then contact Baumatic Customer Care on telephone number (0118) 933 6911.***

***DO NOT ATTEMPT TO REPAIR THE APPLIANCE YOURSELF.***

Please note that if an engineer is asked to attend whilst the product is under guarantee and finds that the problem is not the result of an appliance fault, then you may be liable for the cost of the call out charge.

***The appliance must be accessible for the engineer to perform any necessary repair. If your appliance is installed in such a way that an engineer is concerned that damage will be caused to the appliance or your kitchen, then he will not complete a repair.***

***This includes situations where appliances have been tiled in, sealed in with sealant, have wooden obstructions placed in front of the appliance, like plinths. Or any installation other than the one specified by Baumatic Ltd. has been completed.***

Please refer to the conditions of guarantee that appear on the warranty card that you receive with the appliance.

***IMPORTANT: Baumatic Ltd. operates a policy of continuous improvement and reserves the right to adjust and modify its products without prior notification.***



***United Kingdom***

Baumatic Ltd.,  
Baumatic Buildings,  
6 Bennet Road,  
Reading, Berkshire  
RG2 0QX  
United Kingdom

**Sales Telephone**

(0118) 933 6900

**Sales Fax**

(0118) 931 0035

**Customer Care Telephone**

(0118) 933 6911

**Customer Care Fax**

(0118) 986 9124

**Spares Telephone**

(01235) 437244

**Advice Line Telephone**

(0118) 933 6933

**E-mail:**

sales@baumatic.co.uk  
customercare@baumatic.co.uk  
spares@baumatic.co.uk  
technical@baumatic.co.uk

**Website:**

www.baumatic.co.uk

***Republic of Ireland***

**Service Telephone**

1-890 812 724

**Spares Telephone**

091 756 771

***Czech Republic***

Baumatic CR spol s.r.o.  
Průmyslová zóna Sever 696  
460 11 Liberec 11  
Czech Republic

+420 483 577 200

www.baumatic.cz

***Slovakia***

Baumatic Slovakia, s.r.o.  
Galvániho 7/D  
Slovakia

+421 255 640 618

***Germany***

Baumatic Gmbh  
Lilienthalstrasse 1  
320 52 Herford  
Deutschland

+49 5221 694 99-0

www.baumatic.de

***Italy***

Baumatic Italia S.R.L.  
Via Galvani N.3  
35011 Campodarsego (PD)

+3904 9920 2297

www.baumatic.it

***Holland***

Baumatic Benelux B.V.  
Grindzuigerstraat 22  
1333 MS ALMERE  
Nederland

+3136 549 1555

www.baumatic.nl



